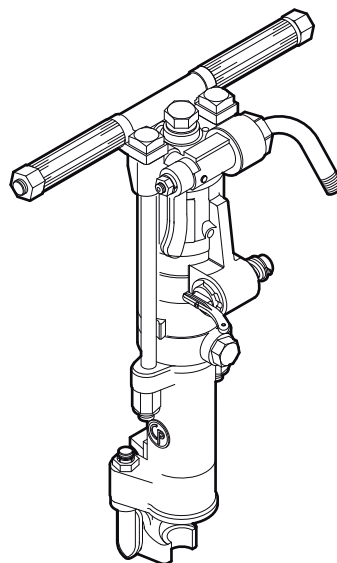


Safety and operating instructions

Rock drills

CP 0022, CP 0032, CP 0069

- Ⓕ **FR** Prescriptions de sécurité et instructions pour l'opérateur
Perforateur
- Ⓕ **DE** Sicherheits- und Betriebsanleitung
Bohrhämmer
- Ⓕ **ES** Instrucciones de seguridad y de funcionamiento
Perforadoras
- Ⓕ **PT** Instruções de segurança e operação
Perfuradores de rocha
- Ⓕ **IT** Istruzioni per la sicurezza e per l'uso
Perforatrici



Contents

ENGLISH	4
FRANÇAIS	22
DEUTSCH	44
ESPAÑOL	66
PORTUGUÊS	90
ITALIANO	112

ENGLISH

Contents

Introduction 5

About the Safety and operating instructions 5

Safety instructions 6

 Safety signal words 6

 Personal precautions and qualifications 6

 Installation, precautions 6

 Operation, precautions 7

 Maintenance, precautions 10

 Storage, precautions 10

Overview 11

 Design and function 11

 Main parts 11

 Labels 12

Installation 12

 Unpacking the drill 12

 Hoses and connections 12

 Methods to prevent freezing 13

 Connecting a water separator 13

 Lubrication 13

 Drill steel 13

 Wet drilling 14

Operation 15

 Preparations before starting 15

 Controls 16

 Start and stop 16

 Operating 17

 When taking a break 17

Maintenance 17

 Every day 17

 Periodic maintenance 17

 Tightening torque 18

 Damage patterns 18

Storage 18

Disposal 18

Technical data 19

 Machine data 19

 Noise and vibration declaration statement 19

 Noise and vibration data 20

 Accessories 20

EC Declaration of Conformity 21

 EC Declaration of Conformity (EC Directive 2006/42/EC) 21

Introduction

Thank you for choosing Chicago Pneumatic brand products. For over a century, the Chicago Pneumatic brand has represented performance and innovation in the pneumatic tool industry.

Today the brand is found around the world on a range of pneumatic and hydraulic tools that includes breakers, rock drills, chipping hammers, clay-diggers, picks and busters, scabblers, pumps and a whole lot more.

The Chicago Pneumatic brand is associated with powerful and reliable products that are easy to maintain and that give good value for the money.

For more information please visit www.cp.com

Atlas Copco Construction Tools AB
105 23 Stockholm
Sweden

About the Safety and operating instructions

The aim of the instructions is to provide you with knowledge of how to use the rock drill in an efficient, safe way. The instructions also give you advice and tell you how to perform regular maintenance on the rock drill.

Before using the rock drill for the first time you must read these instructions carefully and understand all of them.

Safety instructions

To reduce the risk of serious injury or death to yourself or others, read and understand the Safety and operating instruction before installing, operating, repairing, maintaining, or changing accessories on the machine.

Post this Safety and operating instruction at work locations, provide copies to employees, and make sure that everyone reads the Safety and operating instruction before operating or servicing the machine.

In addition, the operator or the operator's employer must assess the specific risks that may be present as a result of each use of the machine.

Safety signal words

The safety signal words Danger, Warning and Caution have the following meanings:

DANGER	Indicates a hazardous situation which, if not avoided, will result in death or serious injury.
WARNING	Indicates a hazardous situation which, if not avoided, could result in death or serious injury.
CAUTION	Indicates a hazardous situation which, if not avoided, could result in minor or moderate injury.

Personal precautions and qualifications

Only qualified and trained persons may operate or maintain the machine. They must be physically able to handle the bulk, weight, and power of the tool. Always use your common sense and good judgement.

Personal protective equipment

Always use approved protective equipment. Operators and all other persons in the working area must wear protective equipment, including at a minimum:

- > Protective helmet
- > Hearing protection
- > Impact resistant eye protection with side protection
- > Respiratory protection when appropriate
- > Protective gloves
- > Proper protective boots
- > Appropriate work overall or similar clothing (not loose-fitting) that covers your arms and legs.

Drugs, alcohol or medication

▲ **WARNING** Drugs, alcohol or medication

Drugs, alcohol or medication may impair your judgment and powers of concentration. Poor reactions and incorrect assessments can lead to severe accidents or death.

- ▶ Never use the machine when you are tired or under the influence of drugs, alcohol or medication.
- ▶ No person who is under the influence of drugs, alcohol or medication may operate the machine.

Installation, precautions

▲ **DANGER** Whipping air hose

A compressed air hose that comes loose can lash around and cause personal injury or death. To reduce this risk:

- ▶ Check that the compressed air hose and the connections are not damaged, replace if necessary.
- ▶ Check that all compressed air connections are properly attached.
- ▶ Never carry a pneumatic machine by the air hose.
- ▶ Never attempt to disconnect a compressed air hose that is pressurized. First switch off the compressed air at the compressor and then bleed the machine by activating the start and stop device.
- ▶ Do not use quick disconnect couplings at tool inlet. Use hardened steel (or material with comparable shock resistance) threaded hose fittings.
- ▶ Whenever universal twist couplings (claw couplings) are used, we recommend that lock pins are installed and whipcheck safety cables are used to safeguard against possible hose to tool and hose to hose connection failure.

▲ **WARNING** Ejected insertion tool

If the tool retainer on the machine is not in a locked position, the inserted tool can be ejected with force, which can cause personal injury.

- ▶ Never start the machine while changing the insertion tool.
- ▶ Before changing the insertion tool or accessories, stop the machine, switch off the power supply and bleed the machine by activating the start and stop device.
- ▶ Never point the inserted tool at yourself or anyone else.

- ▶ Make sure that the insertion tool is fully inserted and the tool retainer is in a locked position before the machine is started.
- ▶ Check the locking function by pulling the inserted tool outwards forcefully.

▲ WARNING Moving or slipping insertion tool

An incorrect dimension of the inserted tool's shank can result in that the inserted tool is lost or is slipping out during operation. Risk of severe injury or crushed hands and fingers.

- ▶ Check that the insertion tool has the shank length and dimensions that the machine is intended for.
- ▶ Never use an insertion tool without a collar.

Operation, precautions

▲ DANGER Explosion hazard

If a warm insertion tool comes into contact with explosives, an explosion could occur. During operation with certain materials as well as use of certain materials in machine parts, sparks and ignition can occur. Explosions will lead to severe injuries or death.

- ▶ Never operate the machine in any explosive environment.
- ▶ Never use the machine near flammable materials, fumes or dust.
- ▶ Make sure that there are no undetected sources of gas or explosives.
- ▶ Never drill in an old hole.

▲ WARNING Unexpected movements

The inserted tool is exposed to heavy strains when the machine is used. The inserted tool may break due to fatigue after a certain amount of use. If the inserted tool breaks or gets stuck, there may be sudden and unexpected movement that can cause injuries. Furthermore, losing your balance or slipping may cause injury.

- ▶ Make sure that you always keep a stable position with your feet as far apart as your shoulder width, and keeping a balanced body weight.
- ▶ Always inspect the equipment prior to use. Never use the equipment if you suspect that it is damaged.
- ▶ Make sure that the handles are clean and free of grease and oil.
- ▶ Keep your feet away from the inserted tool.
- ▶ Stand firmly and always hold on to the machine with both hands.
- ▶ Never drill in an old hole.

- ▶ Never start the machine when it is lying on the ground.
- ▶ Never 'ride' on the machine with one leg over the handle.
- ▶ Never strike or abuse the equipment.
- ▶ Check regularly for wear on the insertion tool, and check whether there are any signs of damage or visible cracks.
- ▶ Pay attention and look at what you are doing.

▲ WARNING Stalling hazard

If the insertion tool gets caught during operation, the whole machine will start to rotate if you lose your grip on it. This unexpected rotation of the entire machine may cause serious injury or death.

- ▶ Stand firmly and always hold onto the machine with both hands.
- ▶ Make sure that the handle or handles are clean and free from grease and oil.
- ▶ Never drill in an old hole.

▲ WARNING Trapping hazard

There is risk of neck ware, hair, gloves and clothes getting dragged into or caught by a rotating insertion tool or accessories. This may cause choking, scalping, lacerations or death. To reduce the risk:

- ▶ Never grab or touch a rotating drill steel.
- ▶ Avoid wearing clothing, neck ware or gloves that may get caught.
- ▶ Cover long hair with a hair net.

▲ WARNING Dust and fume hazard

Dusts and/or fumes generated or dispersed when using the machine may cause serious and permanent respiratory disease, illness, or other bodily injury (for example, silicosis or other irreversible lung disease that can be fatal, cancer, birth defects, and/or skin inflammation).

Some dusts and fumes created by drilling, breaking, hammering, sawing, grinding and other construction activities contain substances known to the State of California and other authorities to cause respiratory disease, cancer, birth defects, or other reproductive harm. Some examples of such substances are:

- > Crystalline silica, cement, and other masonry products.
- > Arsenic and chromium from chemically-treated rubber.
- > Lead from lead-based paints.

Dust and fumes in the air can be invisible to the naked eye, so do not rely on eye sight to determine if there is dust or fumes in the air.

To reduce the risk of exposure to dust and fumes, do all of the following:

- ▶ Perform site-specific risk assessment. The risk assessment should include dust and fumes created by the use of the machine and the potential for disturbing existing dust.
- ▶ Use proper engineering controls to minimize the amount of dust and fumes in the air and to minimize build-up on equipment, surfaces, clothing, and body parts. Examples of controls include: exhaust ventilation and dust collection systems, water sprays, and wet drilling. Control dusts and fumes at the source where possible. Make sure that controls are properly installed, maintained and correctly used.
- ▶ Wear, maintain and correctly use respiratory protection as instructed by your employer and as required by occupational health and safety regulations. The respiratory protection must be effective for the type of substance at issue (and if applicable, approved by relevant governmental authority).
- ▶ Work in a well ventilated area.
- ▶ If the machine has an exhaust, direct the exhaust so as to reduce disturbance of dust in a dust filled environment.
- ▶ Operate and maintain the machine as recommended in the operating and safety instructions

- ▶ Select, maintain and replace consumables/ working tools/ other accessory as recommended in the operating and safety instructions. Incorrect selection or lack of maintenance of consumables/ inserted tools/ other accessories may cause an unnecessary increase in dust or fumes.
- ▶ Wear washable or disposable protective clothes at the worksite, and shower and change into clean clothes before leaving the worksite to reduce exposure of dust and fumes to yourself, other persons, cars, homes, and other areas.
- ▶ Avoid eating, drinking, and using tobacco products in areas where there is dust or fumes.
- ▶ Wash your hands and face thoroughly as soon as possible upon leaving the exposure area, and always before eating, drinking, using tobacco products, or making contact with other persons.
- ▶ Comply with all applicable laws and regulations, including occupational health and safety regulations.
- ▶ Participate in air monitoring, medical examination programs, and health and safety training programs provided by your employer or trade organizations and in accordance with occupational health and safety regulations and recommendations. Consult with physicians experienced with relevant occupational medicine.
- ▶ Work with your employer and trade organization to reduce dust and fume exposure at the worksite and to reduce the risks. Effective health and safety programs, policies and procedures for protecting workers and others against harmful exposure to dust and fumes should be established and implemented based on advice from health and safety experts. Consult with experts.
- ▶ Residues of hazardous substances on the machine can be a risk. Before undertaking any maintenance on the machine clean it thoroughly.

▲ WARNING Projectiles

Failure of the work piece, of accessories, or even of the machine itself may generate high velocity projectiles. During operating, splinters or other particles from the working material may become projectiles and cause personal injury by striking the operator or other persons. To reduce these risk:

- ▶ Use approved personal protective equipment and safety helmet, including impact resistant eye protection with side protection.
- ▶ Make sure that no unauthorised persons trespass into the working zone.
- ▶ Keep the workplace free from foreign objects.
- ▶ Ensure that the work piece is securely fixed.

▲ WARNING Splinters hazard

Using the insertion tool as a hand struck tool can result in splinters hitting the operator and can cause personal injury.

- ▶ Never use an insertion tool as a hand struck tool. They are specifically designed and heat-treated to be used only in a machine.

▲ WARNING Slipping, tripping and falling hazards

There is a risk of slipping or tripping or falling, for example tripping on the hoses or on other objects. Slipping or tripping or falling can cause injury. To reduce this risk:

- ▶ Always make sure that no hose or other object is in your way or in any other person's way.
- ▶ Always make sure you are in a stable position with your feet as far apart as your shoulders width and keeping a balanced body weight.

▲ WARNING Motion hazards

When using the machine to perform work-related activities, you may experience discomfort in the hands, arms, shoulders, neck, or other parts of the body.

- ▶ Adopt a comfortable posture whilst maintaining secure footing and avoiding awkward off-balanced postures.
- ▶ Changing posture during extended tasks may help avoid discomfort and fatigue.
- ▶ In case of persistent or recurring symptoms, consult a qualified health professional.

▲ WARNING Vibration hazards

Normal and proper use of the machine exposes the operator to vibration. Regular and frequent exposure to vibration may cause, contribute to, or aggravate injury or disorders to the operator's fingers, hands, wrists, arms, shoulders and/or nerves and blood supply or other body parts, including debilitating and/or permanent injuries or disorders that may develop gradually over periods of weeks, months, or years. Such injuries or disorders may include damage to the blood circulatory system, damage to the nervous system, damage to joints, and possibly damage to other body structures.

If numbness, persistent recurring discomfort, burning sensation, stiffness, throbbing, tingling, pain, clumsiness, weakened grip, whitening of the skin, or other symptoms occur at any time, when operating the machine or when not operating the machine, stop operating the machine, tell your employer and seek medical attention. Continued use of the machine after the occurrence of any such symptom may increase the risk of symptoms becoming more severe and/or permanent.

Operate and maintain the machine as recommended in these instructions, to prevent an unnecessary increase in vibration.

The following may help to reduce exposure to vibration for the operator:

- ▶ Let the tool do the job. Use a minimum hand grip consistent with proper control and safe operation.
- ▶ If the machine has vibration absorbing handles, keep them in a central position, avoid pressing the handles into the end stops.
- ▶ When the percussion mechanism is activated, the only body contact with the machine you should have are your hands on the handle or handles. Avoid any other contact, for example supporting any part of the body against the machine or leaning onto the machine trying to increase the feed force. It is also important not to keep the start and stop device engaged while extracting the tool from the broken work surface.
- ▶ Make sure that the inserted tool is well-maintained (including sharpness, if a cutting tool), not worn out, and of the proper size. Insertion tools that are not well-maintained, or that are worn out, or that are not of the proper size result in longer time to complete a task (and a longer period of exposure to vibration) and may result in or contribute to higher levels of vibration exposure.
- ▶ Immediately stop working if the machine suddenly starts to vibrate strongly. Before resuming the work, find and remove the cause of the increased vibrations.
- ▶ Never grab, hold or touch the inserted tool when using the machine.

- ▶ Participate in health surveillance or monitoring, medical exams and training programs offered by your employer and when required by law.
- ▶ When working in cold conditions wear warm clothing and keep hands warm and dry.
- ▶ The exhaust air is strongly chilled and shall not make contact with the operator. Always direct the exhaust air away from hands and body.

See the "Noise and vibration declaration statement" for the machine, including the declared vibration values. This information can be found at the end of these Safety and operating instructions.

- ◆ Comply with the recommended air-pressure when operating the machine. Either higher or lower air-pressure has the potential of resulting in higher levels of vibration.

▲ DANGER Electrical hazard

The machine is not electrically insulated. If the machine comes into contact with electricity, serious injuries or death may result.

- ▶ Never operate the machine near any electric wire or other source of electricity.
- ▶ Make sure that there are no concealed wires or other sources of electricity in the working area.

▲ WARNING Concealed object hazard

During operating, concealed wires and pipes constitute a danger that can result in serious injury.

- ▶ Check the composition of the material before operating.
- ▶ Watch out for concealed cables and pipes for example electricity, telephone, water, gas and sewage lines etc.
- ▶ If the inserted tool seems to have hit a concealed object, switch off the machine immediately.
- ▶ Make sure that there is no danger before continuing.

▲ WARNING Involuntary start

Involuntary start of the machine may cause injury.

- ▶ Keep your hands away from the start and stop device until you are ready to start the machine.
- ▶ Learn how the machine is switched off in the event of an emergency.
- ▶ Release the start and stop device immediately in all cases of power supply interruption.
- ▶ Whenever fitting or removing the insertion tool, switch off the air supply, bleed the machine by pressing the start and stop device and disconnect the machine from the power source.

▲ WARNING Noise hazard

High noise levels can cause permanent and disabling hearing loss and other problems such as tinnitus (ringing, buzzing, whistling or humming in the ears). To reduce risk and prevent an unnecessary increase in noise levels:

- ▶ Risk assessment of these hazards and implementation of appropriate controls is essential.
- ▶ Operate and maintain the machine as recommended in these instructions.
- ▶ Select, maintain and replace the insertion tool as recommended in these instructions.
- ▶ If the machine has a muffler, check that it is in place and in good working condition.
- ▶ Always use hearing protection.
- ▶ Use damping material to prevent work pieces from "ringing".

Maintenance, precautions

▲ WARNING Machine modification

Any machine modification may result in bodily injuries to yourself or others.

- ▶ Never modify the machine. Modified machines are not covered by warranty or product liability.
- ▶ Always use original parts, insertion tools, and accessories.
- ▶ Change damaged parts immediately.
- ▶ Replace worn components in good time.

▲ CAUTION Hot insertion tool

The tip of the insertion tool can become hot and sharp when used. Touching it can lead to burns and cuts.

- ▶ Never touch a hot or sharp insertion tool.
- ▶ Wait until the insertion tool has cooled down before carrying out maintenance work.

▲ WARNING Working tool hazards

Accidental engagement of the start and stop device during maintenance or installation can cause serious injuries, when the power source is connected.

- ▶ Never inspect, clean, install, or remove the working tool while the power source is connected.

Storage, precautions

- ◆ Keep the machine and tools in a safe place, out of the reach of children and locked up.

Overview

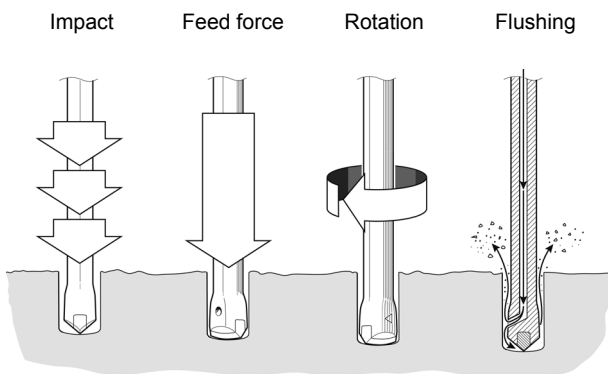
To reduce the risk of serious injury or death to yourself or others, read the Safety instructions section found on the previous pages of this manual before operating the machine.

Design and function

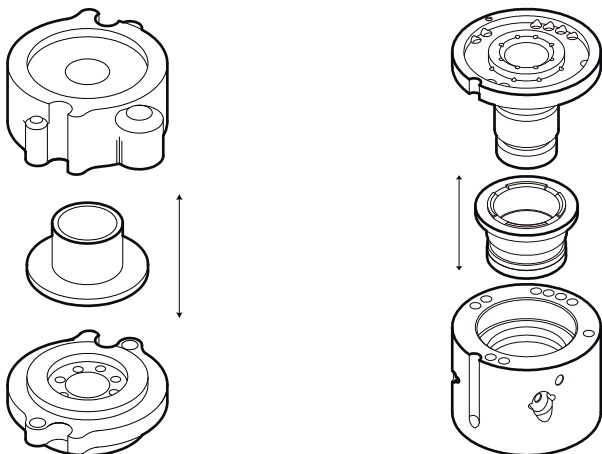
CP 0022, CP 0032 and CP 0069 are pneumatic rock drills designed for vertical drilling, plug hole drilling and drilling in concrete for construction and mining applications. No other uses are permitted.

To choose correct insertion tools, contact your local Chicago Pneumatic dealer

Working principle of a rock drill

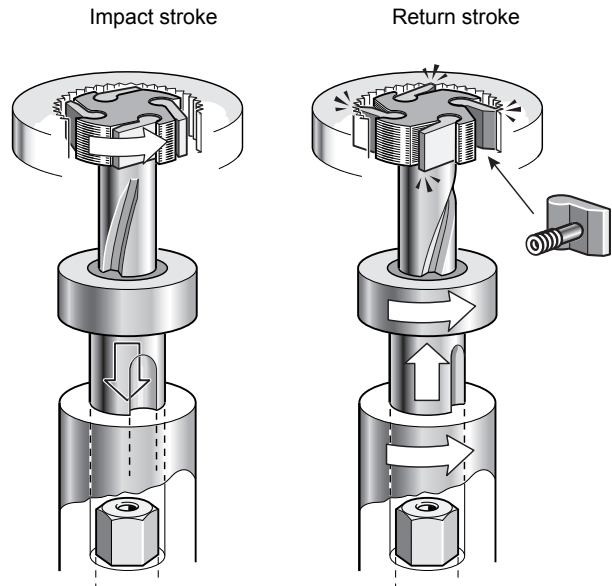


Control valve mechanism



The valve directs the air alternately from one side to the other of the piston so that it moves up and down. The piston transmits the energy through the drill steel to the bottom of the hole.

Rotation mechanism

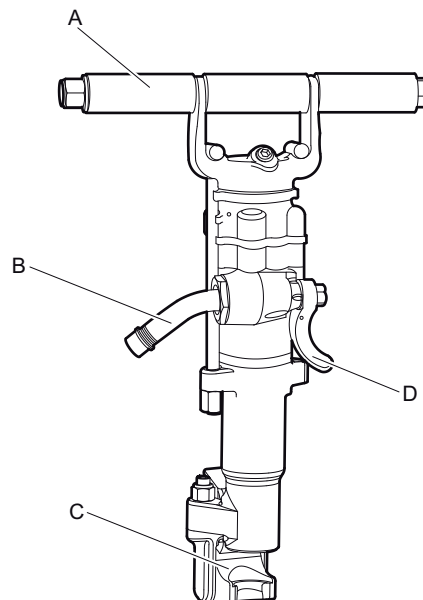


The drill steel is turned slightly with each blow by the rifle bar rotation. The rotation is anti-clockwise and is applied on the return stroke of the piston.

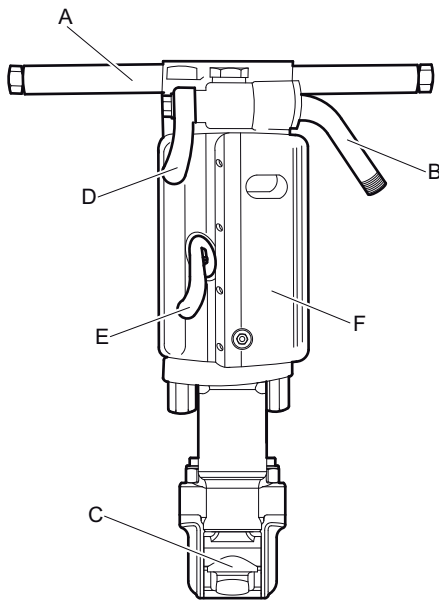
Flushing

Flushing is ducted through a hole in the piston. This means that flushing air is provided as soon as the compressed air is switched on.

Main parts



CP 0022 KL



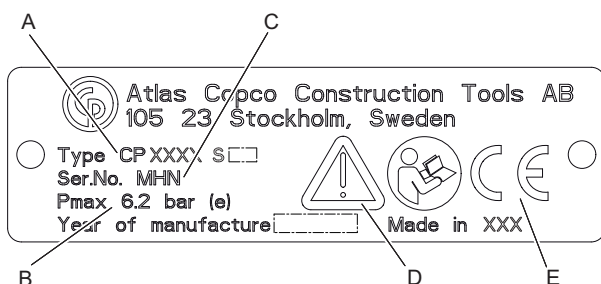
CP 0032, CP 0069

- A. Handle
- B. Air inlet nipple
- C. Drill steel retainer
- D. Throttle lever
- E. Extra blower lever
- F. Muffler (optional)

Labels

The machine is fitted with labels containing important information about personal safety and machine maintenance. The labels must be in such condition that they are easy to read. New labels can be ordered from the spare parts list.

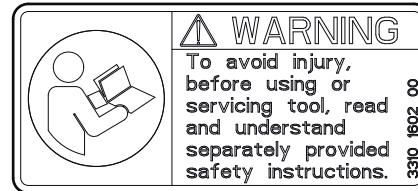
Data plate



- A. Machine type
- B. Maximum permitted compressed air pressure
- C. Serial number

- D. The warning symbol together with the book symbol means that the user must read the safety and operating instructions before the machine is used for the first time.
- E. The CE symbol means that the machine is EC-approved. See the EC declaration which is delivered with the machine for more information. If the CE symbol is missing, it means that the machine is not EC-approved.

Safety label



To avoid injury, before using or servicing tool, read and understand separately provided safety instructions.

Installation

Unpacking the drill

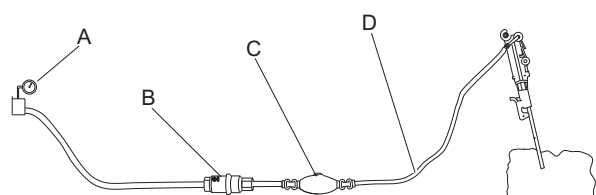
Plastic guards

Before the drill is used for the first time remove all the plastic guards from the hose nipples.

Lubricate

After unpacking and installing the tool, pour a liberal amount of lubrication oil in the air connection.

Hoses and connections



- A. Compressed air source
- B. Water separator (optional)
- C. Oiler (optional)
- D. Max. 10 feet (3 meter) compressed air hose between the oiler and the machine.

- ◆ Check that you are using the correct recommended operating pressure, 87 psig (6 bar (e)).
- ◆ The maximum permissible air pressure, 90 psig (6.2 bar (e)), must not be exceeded.
- ◆ Blow any impurities out of the compressed air hose before connecting it to the machine.
- ◆ Select the correct dimension and length for the compressed air hose. For hose lengths up to 100 feet (30 meters), a hose with a minimum internal diameter of $\frac{3}{4}$ in. (19 mm) should be used. If the hose length is between 100 and 330 feet (30 and 100 meters), a hose with a minimum internal diameter of 1 in. (25 mm) should be used.

Methods to prevent freezing

Ice formation in the muffler can occur when the ambient air temperature is 0–10°C (32–50 °F) and the relative humidity is high.

The machine is designed to avoid the formation of ice in the muffler. Despite this, under extreme conditions ice can form in the muffler.

Take the following actions to further counteract the risk of ice formation:

- ◆ Use a rockdrill oil.
- ◆ Use a water separator.

Connecting a water separator

The length of the air hose between the compressor and the water separator must be such that the water vapor is cooled and condenses in the hose before reaching the water separator.

If the ambient temperature is below 32 °F (0 °C) the hose must be short enough to prevent the water from freezing before reaching the water separator.

Lubrication

The lubricant is important for the machine's function and has a great impact on the service life. In order to supply the correct volume of oil, an oiler should be connected to the air hose. The use of Chicago Pneumatic air line oiler is recommended. To guarantee good lubrication, the length of the air hose between the oiler and the pneumatic tool should not exceed 10 feet (3 m).

Too much lubrication can cause starting problems, low power or uneven performance.

Recommended Lubricant: Rockdrill oil with a viscosity of 100-150 SUS at 100°F (ISO VG 22–32).

Drill steel

▲ **WARNING** Ejected insertion tool

If the tool retainer on the machine is not in a locked position, the inserted tool can be ejected with force, which can cause personal injury.

- ▶ Before changing the insertion tool, stop the machine, switch off the compressed air supply and bleed the machine by activating the start and stop device.

Before fitting the insertion tool

Check that the tool shank is of the correct size and length for the chuck used. The shank must be clean and the tool must be in good condition. Shanks which are chipped, rounded, out of square or too hard on the striking end will operate inefficiently and cause premature piston failure.

Inspect the drill steel:

A dull drill steel will slow down the drilling speed and overstrain the drill mechanism. When changing drill steel make sure that the new one is the correct size to follow your previous bore.

Before drilling, check that the flushing hole in the drill steel is not blocked.

▲ **CAUTION** Hot insertion tool

The tip of the insertion tool can become hot and sharp when used. Touching it can lead to burns and cuts.

- ▶ Never touch a hot or sharp insertion tool.
- ▶ Wait until the insertion tool has cooled down before carrying out maintenance work.

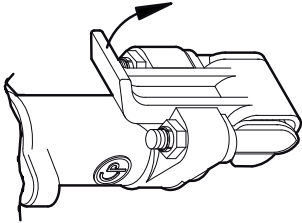
NOTICE Never cool a hot insertion tool in water, it can result in brittleness and early failure.

Fitting the drill steel

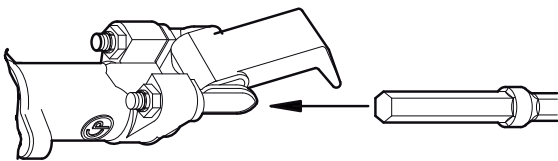
CP 0022 KL, CP 0032, CP 0069

Whenever fitting the drill steel the following instructions must be observed:

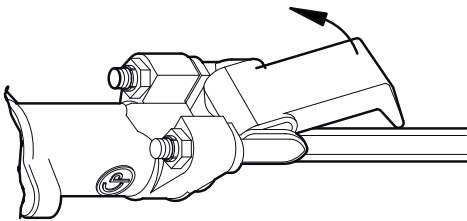
1. Push the retainer inwards in the direction of the arrow, until the front portion of the retainer is able to accommodate the drill steel collar.



2. Insert the drill steel in the chuck.



3. When the drill bottoms, push back the retainer to lock it

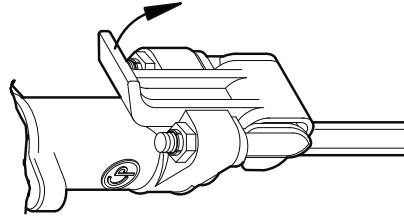


Removing the drill steel

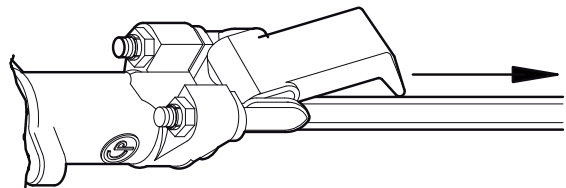
CP 0022 KL, CP 0032, CP 0069

Whenever removing the drill steel the following instructions must be observed:

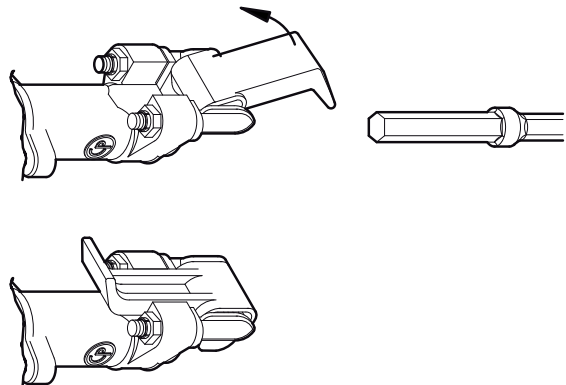
1. Push the retainer inwards in the direction of the arrow until the drill steel collar disengages from the front of the retainer.



2. Pull the drill steel out.



3. Push back the retainer.

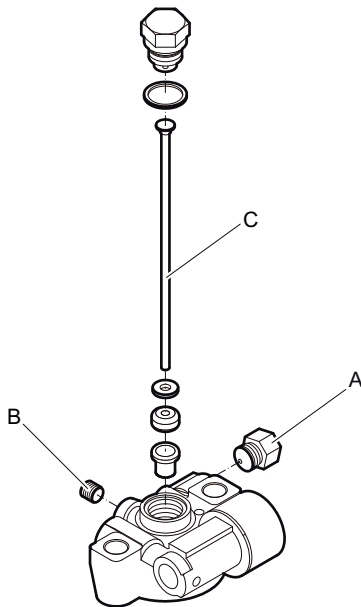


Wet drilling

Before converting to wet drilling

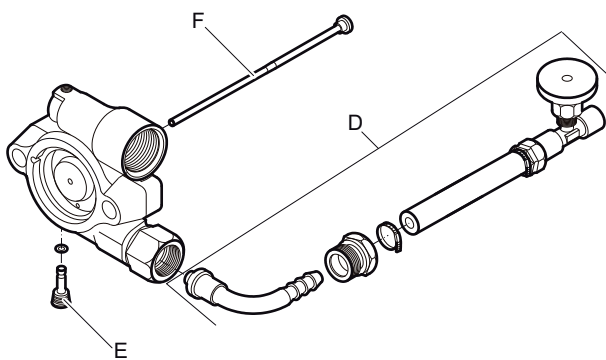
Before converting the rock drill to wet drilling, always switch off the air supply and bleed the machine by depressing the throttle handle. Then disconnect the air hose from the machine.

Converting to wet drilling



Only for CP 0032 and CP 0069

1. Unscrew plug (A) from the water connection.
2. Unscrew plug (B) from the back head.
3. Remove air tube (C) from the back head.



Only for CP 0032 and CP 0069

1. Assemble the water conversion kit (D) and connect it to the water connection.
2. Screw in plug (E) into the back head.
3. Place water tube (F) into the back head.

Operation

▲ **WARNING** Involuntary start

Involuntary start of the machine may cause injury.

- ▶ Keep your hands away from the start and stop device until you are ready to start the machine.
- ▶ Learn how the machine is switched off in the event of an emergency.
- ▶ Stop the machine immediately in all cases of power supply interruption.

Preparations before starting

Check the drilling equipment

- ◆ Check that all of the drilling equipment is in good condition.
- ◆ Check that the impact surface of the drill steel shank is flat, with no signs of wear.
- ◆ Make sure that the air inlet and exhaust ports are free from obstructions.
- ◆ Check that the flushing holes in the drill steel and drill bit are not blocked, and that the flushing air and water flows through without obstruction.
- ◆ Make sure that the air filter (located in the air nipple) is clean and not torn or distorted.
- ◆ Ensure that the fittings are tight and leak-proof.

▲ **DANGER** Whipping air hose

A compressed air hose that comes loose can lash around and cause personal injury or death

- ▶ Check that the compressed air hose and the connections are not damaged.
- ▶ Check that all compressed air connections are properly attached.

Blow out the air hose

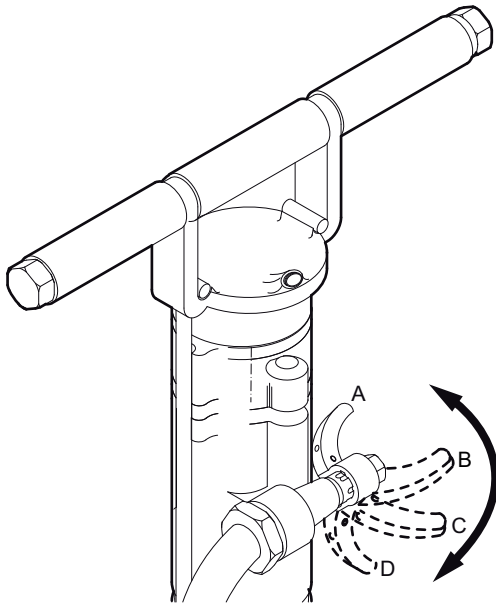
- ◆ Every day before using the drill, blow out the air hose to clear it of accumulated dirt and moisture.

Fill the lubricator with oil

- ◆ Check that the chuck and insertion tool shank are always covered with a film of oil.

Controls

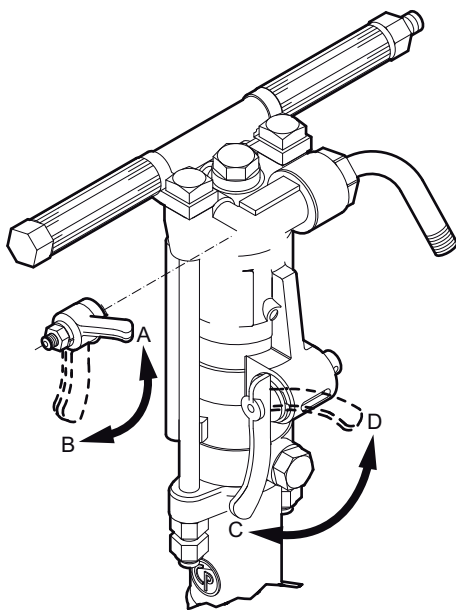
Throttle lever



CP 0022 KL

The rock drill is equipped with a throttle lever for regulating compressed air to the percussion mechanism.

- ◆ Throttle valve closed (stop position) (A).
- ◆ Blow-cleaning only (B).
- ◆ Throttle lever half open (C).
- ◆ Throttle lever fully open (D).



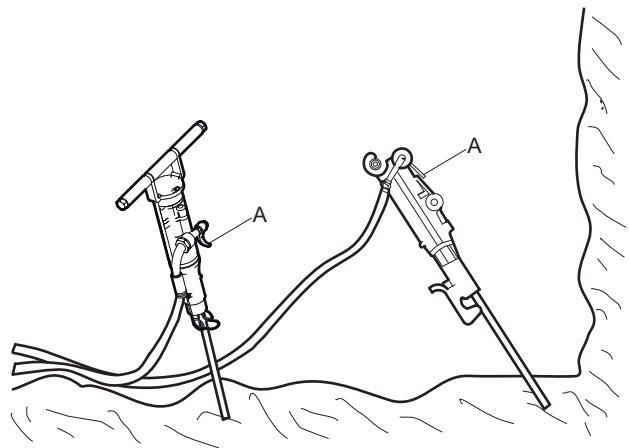
CP 0032 and CP 0069

The rock drill is equipped with a throttle lever for regulating compressed air to the percussion mechanism and a blower lever for extra blow-cleaning.

- ◆ Throttle valve closed (stop position) (A).
Blow-cleaning only.
- ◆ Throttle lever fully open (B).
- ◆ Blower valve closed (stop position) (C).
- ◆ Blower valve fully open (D).

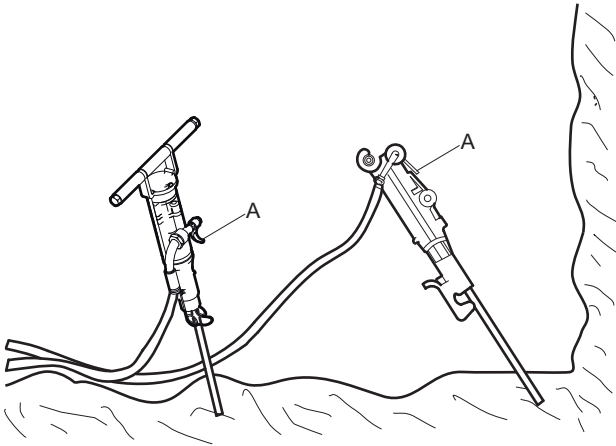
Start and stop

Starting the rock drill



1. Open the main valve for compressed air.
2. Align the rock drill so that the drill steel touches the required collaring point.
3. Move the throttle lever (A) forward a little, which will start the percussion and rotation.
4. Collar the hole with reduced feed force.
5. Move the throttle lever (A) fully forward once the drill steel has gained a secure footing in the rock.

Stopping the rock drill



1. Pull the throttle lever (A) backwards to the closed position, this will stop the percussion and rotation.

Operating

Drilling

- ◆ Use protective shoes, gloves, helmet, ear protectors and impact resistant eye protection with side protection.
- ◆ Stand firmly and always hold the machine with both hands.
- ◆ Hold the inserted tool firmly against the work surface before starting the machine.

When taking a break

- ◆ During all breaks you must place the machine in such a way that there is no risk for it to be unintentionally started. Make sure to place the machine on the ground, so that it can not fall.
- ◆ In the event of a longer break or when leaving the workplace: Switch off the power supply and then bleed the machine by activating the start and stop device.

Maintenance

Regular maintenance is a basic requirement for the continued safe and efficient use of the machine. Follow the maintenance instructions carefully.

- ◆ Before starting maintenance on the machine, clean it in order to avoid exposure to hazardous substances. See “Dust and fume hazards”
- ◆ Use only authorised parts. Any damage or malfunction caused by the use of unauthorised parts is not covered by warranty or product liability.
- ◆ When cleaning mechanical parts with solvent, comply with appropriate health and safety regulations and ensure there is satisfactory ventilation.
- ◆ For major service of the machine, contact the nearest authorised workshop.
- ◆ After each service, check that the machine's vibration level is normal. If not, contact the nearest authorised workshop.

Every day

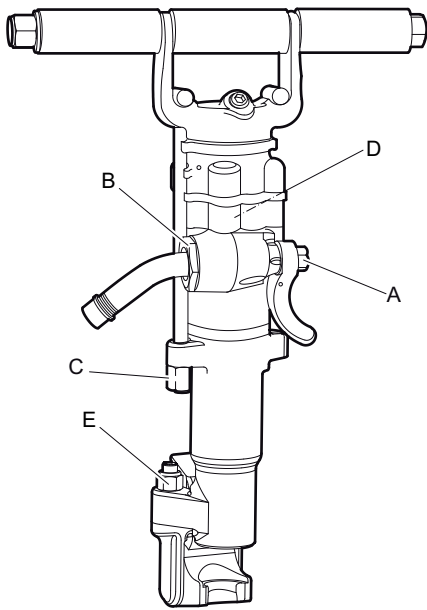
Before undertaking any maintenance or changing the insertion tool on pneumatic machines, always switch off the air supply and bleed the machine by depressing the start and stop device then disconnect the air hose from the machine.

- ◆ Clean and inspect the machine and its functions each day before the work commences.
- ◆ Conduct a general inspection for leaks and damage.
- ◆ Check that the air inlet nipple is tightened and that the claw coupling is free from damage.
- ◆ Check the function of the throttle handle. Make sure that it moves freely up and down.
- ◆ Check the function of the retainer. Make sure that it locks the drill steel.
- ◆ Change damaged parts immediately.
- ◆ Replace worn components in good time.
- ◆ Check the through bolts of the machine. Make sure that they are tightened.
- ◆ If the machine is equipped with a muffler, check for damage.

Periodic maintenance

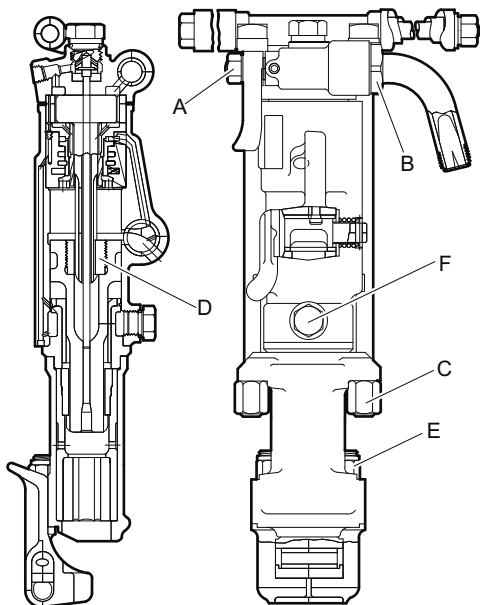
After each operating period of approximately 100 working hours or three times a year the machine must be dismantled and all parts be cleaned and checked. This work must be performed by authorized staff, trained for this task.

Tightening torque



CP 0022 KL

- A. Nut, 70-80 ft.lbf (95-108 Nm)
- B. Air inlet nut, 110-120 ft.lbf (149-163 Nm)
- C. Through bolt nut, 90-100 ft.lbf (122-136 Nm)
- D. Rifle nut, 200-225 ft.lbf (271-305 Nm)
- E. Nut, 100-110 ft.lbf (136-149 Nm)



CP 0032, CP 0069

- A. Nut, 35-40 ft.lbf (47- 54 Nm)
- B. Air inlet nut, 125-150 ft.lbf (169-203 Nm)
- C. Through bolt nut, 110-120 ft.lbf (149-163 Nm)
- D. Rifle nut, 200-225 ft.lbf (271-305 Nm)

- E. Nut, 100-110 ft.lbf (136-149 Nm)
- F. Oil plug, 90-100 ft.lbf (122-136 Nm)

Damage patterns

Worn or broken parts must always be studied carefully before they are replaced. They can give important information about the condition of the drill and about the way it is used and maintained.

Problem	Cause
Steel parts are a bluish colour	The parts have been subjected to excessive heat. This can be caused by insufficient lubrication or idling
Steel parts have small almost microscopic fissures on the wear surfaces	See above
Irregular cavities on the surface of bronze parts	See above
Cutting marks	Secondary damage Dirt inside the drill
	Interior misalignment due to uneven tension of the side bolts

Storage

- > Always oil the rock drill well, before you put it into storage.
- > Always store the machine in a clean and dry place.
- > Make sure that no foreign matter enters the machine.
- > Protect the chuck using the plastic plug provided with the machine. Alternatively, use a wooden plug or a clean piece of cotton waste.
- > In the case of long-term storage, pour a quantity of oil directly into the rock-drill's air intake and then turn on the air briefly. This will protect the machine from corrosion.

Disposal

A used machine must be treated and disposed of in such a way that the greatest possible portion of the material can be recycled and any negative influence on the environment is kept as low as possible, and in respect to local restrictions.

Technical data

Machine data

Model	Part number	Piston bore in. (mm)	Stroke length in. (mm)	Overall length in. (mm)	Weight lb (kg)	Shank dimension in. (mm)
CP 0022 KL 7/8" x 3 1/4"	8900 0020 01	2 3/8 (60)	1 1/4 (44)	18 3/4 (475)	32 (14.7)	7/8 x 3 1/4 (22 X 82.5)
CP 0022 KL 7/8" x 4 1/4"	8900 0020 02	2 3/8 (60)	1 1/4 (44)	19 5/8 (500)	33 (14.9)	7/8 x 4 1/4 (22 x 108)
CP 0032 A 7/8" x 3 1/4"	T022318	2 5/8 (67)	2 (51)	22 (559)	54 (24.5)	7/8 x 3 1/4 (22 X 82.5)
CP 0032 A 7/8" x 4 1/4"	T022117	2 5/8 (67)	2 (51)	23 (584)	54 (24.5)	7/8 x 4 1/4 (22 x 108)
CP 0032 AS 7/8" x 4 1/4"	T025431	2 5/8 (67)	2 (51)	23 (584)	54 (24.5)	7/8 x 4 1/4 (22 x 108)
CP 0032 A 1" x 4 1/4"	T022319	2 5/8 (67)	2 (51)	23 (584)	54 (24.5)	1 x 4 1/4 (25 x 108)
CP 0069 7/8" x 4 1/4"	T006661	2 3/4 (70)	2 5/8 (67)	24 1/2 (622)	64 (29.1)	7/8 x 4 1/4 (22 x 108)
CP 0069 1" x 4 1/4"	T022259	2 3/4 (70)	2 5/8 (67)	24 1/2 (622)	64 (29.1)	1 x 4 1/4 (25 x 108)
CP 0069 WET 7/8" x 4 1/4"	T025423	2 3/4 (70)	2 5/8 (67)	24 1/2 (622)	64 (29.1)	7/8 x 4 1/4 (22 x 108)

Model	Air consumption (6 bar) foot ³ /min (l/s)	Impact rate (6 bar) Hz	Hole diameter in. (mm)
CP 0022 KL 7/8" x 3 1/4"	56 (22)	37	≤1 1/2 (≤38)
CP 0022 KL 7/8" x 4 1/4"	56 (22)	37	≤1 1/2 (≤38)
CP 0032 A 7/8" x 3 1/4"	103 (48)	37	≤2 (≤50)
CP 0032 A 7/8" x 4 1/4"	103 (48)	37	≤2 (≤50)
CP 0032 AS 7/8" x 4 1/4"	103 (48)	37	≤2 (≤50)
CP 0032 A 1" x 4 1/4"	103 (48)	37	≤2 (≤50)
CP 0069 7/8" x 4 1/4"	130 (61)	32	≤2 1/2 (≤62.5)
CP 0069 1" x 4 1/4"	130 (61)	32	≤2 1/2 (≤62.5)
CP 0069 WET 7/8" x 4 1/4"	130 (61)	32	≤2 1/2 (≤62.5)

Noise and vibration declaration statement

Guaranteed sound power level **L_w** according to EN ISO 3744 in accordance with directive 2000/14/EC.
Sound pressure level **L_p** according to EN ISO 11203.

Vibration value **A** and uncertainty **B** determined according to EN ISO 20643. See table "Noise and vibration data" for the values of A, B, etc.

These declared values were obtained by laboratory type testing in accordance with the stated directive or standards and are suitable for comparison with the declared values of other tools tested in accordance with the same directive or standards. These declared values are not suitable for use in risk assessments and values measured in individual work places may be higher. The actual exposure values and risk of harm experienced by an individual user are unique and depend upon the way the user works, in what material the machine is used, as well as upon the exposure time and the physical condition of the user, and the condition of the machine.

We, Atlas Copco Construction Tools AB, cannot be held liable for the consequences of using the declared values, instead of values reflecting the actual exposure, in an individual risk assessment in a work place situation over which we have no control.

This tool may cause hand-arm vibration syndrome if its use is not adequately managed. An EU guide to managing hand-arm vibration can be found at

<http://www.humanvibration.com/humanvibration/EU/VIBGUIDE.html>

We recommend a programme of health surveillance to detect early symptoms which may relate to vibration exposure, so that management procedures can be modified to help prevent future impairment.

Noise and vibration data

Model	Noise		Vibration	
	Declared values		Declared values	
	Sound pressure	Sound power	Three axes values	
	EN ISO 11203	2000/14/EC	EN ISO 20643	
	Lp r=1m dB(A) rel 20µPa	Lw guaranteed dB(A) rel 1pW	A m/s ² value	B m/s ² spreads
CP 0022 KL 7/8" x 3 1/4"	106	116	25.7	3.0
CP 0022 KL 7/8" x 4 1/4"	106	116	25.7	3.0
CP 0032 A 7/8" x 3 1/4"	111	122	21.9	2.7
CP 0032 A 7/8" x 4 1/4"	111	122	21.9	2.7
CP 0032 AS 7/8" x 4 1/4"	103	114	21.9	2.7
CP 0032 A 1" x 4 1/4"	111	122	21.9	2.7
CP 0069 7/8" x 4 1/4"	113	124	29.0	3.4
CP 0069 1" x 4 1/4"	113	124	29.0	3.4
CP 0069 WET 7/8" x 4 1/4"	113	124	29.0	3.4

Accessories

Description	Remark	Quantity	Part number
Lubricator 43, US type (NPT)	For both mineral and synthetic oil	1	8900 0050 07
Lubricator 1300, European type (BSP)	For both mineral and synthetic oil	1	8900 0050 02
Water separator, US type (NPT)	Airflow <130 ft ³ /min (60 l/s)	1	8900 0050 01
Water separator, European type (BSP)	Airflow <130 ft ³ /min (60 l/s)	1	8900 0050 00
RED-X air hose, 60 m	20 mm (3/4")	1	8900 0050 10

EC Declaration of Conformity

EC Declaration of Conformity (EC Directive 2006/42/EC)

We, Atlas Copco Construction Tools AB, hereby declare that the machines listed below conform to the provisions of EC Directive 2006/42/EC (Machinery Directive), and the harmonised standards mentioned below.

Rock drills	Part number	Pmax (bar)
CP 0022 KL 7/8" x 3 1/4"	8900 0020 01	6.2
CP 0022 KL 7/8" x 4 1/4"	8900 0020 02	6.2
CP 0032 A 7/8" x 3 1/4"	T022318	6.2
CP 0032 A 7/8" x 4 1/4"	T022117	6.2
CP 0032 AS 7/8" x 4 1/4"	T025431	6.2
CP 0032 A 1" x 4 1/4"	T022319	6.2
CP 0069 7/8" x 4 1/4"	T006661	6.2
CP 0069 1" x 4 1/4"	T022259	6.2
CP 0069 WET 7/8" x 4 1/4"	T025423	6.2

Following harmonised standards were applied:

EN ISO 11148-5

Technical Documentation authorised representative:

Per Forsberg

Atlas Copco Construction Tools AB

Dragonvägen 2

Kalmar

Vice president Design and Development:

Erik Sigfridsson

Manufacturer:

Atlas Copco Construction Tools AB

105 23 Stockholm

Sweden

Place and date:

Kalmar, 2012-06-30

FRANÇAIS

Sommaire

Introduction	23
À propos des prescriptions de sécurité et des instructions pour l'opérateur	23
Consignes de sécurité	24
Indications de sécurité.....	24
Précautions et qualifications du personnel.....	24
Installation, précautions.....	24
Fonctionnement, précautions.....	25
Maintenance, précautions.....	30
Stockage, précautions.....	30
Vue d'ensemble	31
Conception et fonctionnement.....	31
Pièces principales.....	32
Étiquettes.....	32
Pose	33
Déballage du marteau perforateur.....	33
Flexibles et connexions.....	33
Mesures de prévention du gel.....	33
Branchement d'un séparateur d'eau.....	33
Lubrifiant.....	33
Fleuret.....	34
Forage humide.....	35
Utilisation	36
Opérations à effectuer avant de démarrer.....	36
Commandes.....	36
Marche/arrêt.....	37
Utilisation.....	37
Lors des pauses.....	37
Maintenance	37
Chaque jour.....	38
Maintenance périodique.....	38
Couple de serrage.....	38
Types de dégâts.....	39
Stockage	39
Destruction d'une machine usagée	39
Données techniques	40
Caractéristiques de la machine.....	40
Énoncé déclaratif sur les vibrations et le bruit.....	40
Données relatives au bruit et aux vibrations.....	41
Accessoires.....	41
Déclaration CE de conformité	42
Déclaration CE de conformité (Directive 2006/42/CE).....	42

Introduction

Nous vous remercions d'avoir choisi un produit Chicago Pneumatic. Depuis plus d'un siècle, la marque Chicago Pneumatic est synonyme de performance et d'innovation dans le secteur des outils pneumatiques.

Aujourd'hui, la société offre une vaste gamme d'outils pneumatiques et hydrauliques comprenant brise-béton, trépan, marteaux burineurs, marteaux-bêches, pioches et défricheuses, bouchardeuses, pompes et bien d'autres outils.

La marque Chicago Pneumatic est associée avec des produits puissants et fiables, faciles à entretenir et ayant un bon rapport qualité-prix.

Pour plus d'informations, veuillez consulter le site Web www.cp.com

Atlas Copco Construction Tools AB
S-105 23 Stockholm
Sweden

À propos des prescriptions de sécurité et des instructions pour l'opérateur

Le but des instructions est de vous apprendre à utiliser le marteau perforateur d'une manière efficace et en toute sécurité. Les instructions vous donnent également des conseils et vous indiquent comment effectuer la maintenance de routine du marteau perforateur.

Vous devez lire ces instructions attentivement et les comprendre avant d'utiliser le marteau perforateur pour la première fois.

Consignes de sécurité

Il convient de lire et d'assimiler les Prescriptions de sécurité et des instructions pour l'opérateur avant toute installation, utilisation, réparation, entretien ou remplacement d'accessoire sur la machine, afin de minimiser le risque de blessures graves ou de dommages pouvant entraîner la mort.

Affichez les Prescriptions de sécurité et instructions pour l'opérateur sur les différents sites de travail ; faites en des copies pour les employés et assurez-vous que chaque personne concernée a bien lu les Prescriptions de sécurité et instructions pour l'opérateur, avant d'utiliser ou d'intervenir sur la machine.

En outre, l'opérateur ou l'employeur doit évaluer les risques spécifiques pouvant survenir à la suite de chaque utilisation de la machine.

Indications de sécurité

Les indications de sécurité Danger, Attention et Prudence ont les sens suivants :

DANGER

Indique une situation dangereuse qui, si elle n'est pas évitée, terminera par provoquer la mort ou des blessures graves.

AVERTISSEMENT

Indique une situation dangereuse qui, si elle n'est pas évitée, est de susceptible de provoquer la mort ou des blessures graves.

ATTENTION

Indique une situation dangereuse qui, si elle n'est pas évitée, est de susceptible de provoquer des blessures mineures à modérées.

Précautions et qualifications du personnel

Seules des personnes qualifiées ou formées peuvent utiliser ou procéder à l'entretien de la machine. Elles doivent être physiquement aptes à manipuler le volume, le poids et la puissance de l'outil. Utilisez toujours votre jugement et votre bon sens.

Équipement de protection du personnel

Utilisez toujours un équipement de protection individuelle homologué. Les opérateurs et toutes autres personnes séjournant sur la zone de travail doivent porter un équipement de protection individuelle, incluant au minimum :

- > Casque de protection
- > Protections auditives
- > Protecteurs des yeux résistants aux chocs avec protection latérale
- > Appareil de protection respiratoire, le cas échéant
- > Gants de protection
- > Bottes de protection adaptées
- > Salopette de travail appropriée ou vêtement similaire (serré) qui recouvre les bras et les jambes.

Drogues, alcool ou médicaments

▲ AVERTISSEMENT Drogues, alcool ou médicaments

Les drogues, l'alcool ou les médicaments risquent d'avoir un effet négatif sur votre jugement et votre capacité de concentration. De mauvaises réactions et des évaluations incorrectes peuvent entraîner des accidents graves, voire la mort.

- ▶ N'utilisez jamais la machine lorsque vous êtes fatigué(e) ou sous l'influence de drogues, de l'alcool ou de médicaments.
- ▶ L'utilisation de la machine par une personne sous l'influence de drogues, de l'alcool ou de médicaments est strictement interdite.

Installation, précautions

▲ DANGER Coup de fouet d'un flexible pneumatique

Un flexible d'air comprimé qui se détache risque de fouetter dans tous les sens et de provoquer des dommages corporels ou la mort. Pour réduire ce risque :

- ▶ Vérifiez que le flexible d'air comprimé et les raccords ne sont pas endommagés. Les remplacer si nécessaire.
- ▶ Vérifiez que les raccords d'air comprimé sont correctement fixés.
- ▶ Ne jamais porter une machine pneumatique par le flexible d'air.
- ▶ Ne jamais essayer de débrancher un flexible d'air comprimé sous pression. D'abord, coupez l'alimentation en air comprimé au niveau du compresseur, puis purgez la machine en activant le dispositif de marche/arrêt.

- ▶ N'utilisez pas de raccords rapides à l'entrée de l'outil. Utilisez des raccords filetés en acier trempé (ou un matériau présentant une résistance aux chocs comparable).
- ▶ Chaque fois que des raccords universels (raccords à griffes) sont utilisés, nous recommandons de monter des goupilles de verrouillage et d'utiliser des câbles de sécurité pour tuyaux flexibles, afin d'empêcher tout relâchement d'un accouplement flexible - outil et tuyau - tuyau.

▲ AVERTISSEMENT Outil d'insertion éjecté

Si la sécurité de l'outil n'est pas verrouillée sur la machine, l'outil d'insertion risque d'être éjecté avec force, et de provoquer des dommages corporels.

- ▶ Ne démarrez jamais la machine au moment du changement de l'outil d'insertion.
- ▶ Avant de changer l'outil d'insertion ou un accessoire, arrêtez la machine, coupez l'alimentation électrique et purgez la machine en activant le dispositif de marche/arrêt.
- ▶ Ne jamais pointer l'outil inséré vers soi-même ni vers autrui.
- ▶ Assurez-vous que l'outil d'insertion est entièrement inséré et que la sécurité de l'outil est en position verrouillée avant tout démarrage de la machine.
- ▶ Vérifiez la fonction de verrouillage en tirant énergiquement l'outil inséré vers l'extérieur.

▲ AVERTISSEMENT Déplacement / glissement d'outil d'insertion

Une dimension incorrecte de l'emmanchement de l'outil inséré peut induire la perte ou le glissement de ce dernier pendant le fonctionnement. Risque de blessure grave ou d'écrasement des mains et des doigts.

- ▶ Vérifiez que l'outil d'insertion utilisé possède la bonne taille d'emmanchement et les dimensions pour lesquelles la machine est prévue.
- ▶ Ne jamais utiliser un outil d'insertion sans collet.

Fonctionnement, précautions

▲ DANGER Danger d'explosion

Si un outil d'insertion chaud entre en contact avec un explosif, cela pourrait provoquer une explosion. Lors de travaux sur certains matériaux et lors d'utilisation de certains matériaux dans les pièces de la machine, des étincelles susceptibles d'enflammer des gaz peuvent provoquer des explosions. Les explosions peuvent provoquer des dommages corporels voire la mort.

- ▶ Ne jamais utiliser la machine dans un environnement explosif quelconque.
- ▶ N'utilisez jamais cette machine près de poussières, d'émanations ou de matériaux inflammables.
- ▶ Assurez-vous qu'il n'y a aucune source de gaz non identifiée ni explosifs dans les environs.
- ▶ Ne jamais forer dans un ancien trou.

▲ AVERTISSEMENT Mouvements inopinés

L'outil inséré est soumis à des efforts importants lors de l'utilisation de la machine. L'outil inséré peut se rompre à cause de la fatigue après un certain temps d'utilisation. En cas de rupture ou de blocage de l'outil inséré, des mouvements soudains et imprévus peuvent se produire et entraîner des blessures. Les pertes d'équilibre ou les glissades peuvent également provoquer des blessures.

- ▶ Assurez-vous de toujours adopter une position stable, les pieds dans le prolongement de vos épaules et votre poids bien réparti sur les deux jambes.
- ▶ Vérifiez toujours l'équipement avant de l'utiliser. Évitez d'utiliser l'équipement s'il vous semble endommagé.
- ▶ Assurez-vous que les poignées sont toujours bien propres, sans graisse ni huile.
- ▶ Gardez vos pieds éloignés de l'outil inséré.
- ▶ Restez bien droit et tenez toujours la machine à deux mains.
- ▶ Ne jamais forer dans un ancien trou.
- ▶ Ne mettez pas la machine en marche lorsqu'elle est posée sur le sol.
- ▶ Ne 'chevauchez' jamais la machine, une jambe passée sur la poignée.
- ▶ Ne maltraitez jamais l'équipement.
- ▶ Examinez régulièrement l'usure de l'outil d'insertion et contrôlez la présence éventuelle de signes de détérioration ou de fissures visibles.
- ▶ Soyez vigilant et concentrez-vous sur ce que vous faites.

▲ AVERTISSEMENT Danger de calage

Si l'outil d'insertion se bloque durant le fonctionnement, la machine se mettra à tourner sur elle-même si vous ne la tenez pas bien. Cette rotation inattendue de la machine entière peut provoquer des blessures graves, voire la mort.

- ▶ Restez bien droit et tenez toujours la machine avec les deux mains.
- ▶ Assurez-vous que les poignées sont toujours bien propres, sans graisse ni huile.
- ▶ Ne jamais forer dans un ancien trou.

▲ AVERTISSEMENT Danger de piégeage

Les vêtements flottants, cheveux, gants, foulards ou écharpes risquent de se prendre sur un outil à insertion ou un accessoire en rotation. Ce type d'incident peut provoquer un étouffement, un scalp, des déchirures voire la mort. Pour réduire ce risque :

- ▶ Évitez à tout prix d'agripper ou de toucher un fleuret en rotation.
- ▶ Évitez de porter des vêtements amples, des gants, des foulards ou écharpes susceptibles de se prendre dans la pièce en rotation.
- ▶ Couvrez les cheveux à l'aide d'un filet.

▲ AVERTISSEMENT Dangers liés aux poussières et aux fumées

Les poussières et/ou de fumées générées ou dispersées lors de l'utilisation de la machine peuvent causer des maladies respiratoires graves et permanentes, ou autre lésion corporelle (par exemple, la silicose ou autre maladie pulmonaire irréversible qui peut être mortelle, cancer, malformations congénitales et/ou inflammation de la peau).

Certaines poussières et fumées créées lors de foration, casse, martelage, sciage, meulage et autres activités de construction, contiennent des substances connues dans l'État de Californie et par d'autres autorités pour provoquer des maladies respiratoires, le cancer, des malformations congénitales ou autres problèmes de reproduction. Voici quelques exemples de ces substances :

- > Silice cristalline, ciment et autres produits de maçonnerie.
- > Arsenic et chrome provenant de caoutchouc traité chimiquement.
- > Plomb provenant de peintures à base de plomb.

Les poussières et fumées dans l'air peuvent être invisibles à l'œil nu. Par conséquent, ne comptez pas sur la vue oculaire pour déterminer s'il y a des poussières ou des fumées dans l'air.

Pour réduire les risques d'exposition aux poussières et fumées, effectuez tout ce qui suit :

- ▶ Effectuez une évaluation des risques spécifiques au site. L'évaluation des risques devra inclure les poussières et les vapeurs créées par l'utilisation de la machine et les poussières susceptibles d'incommoder le voisinage.
- ▶ Utilisez la sécurité intégrée appropriée pour minimiser la quantité de poussières et de fumées dans l'air et leur accumulation sur les équipements, les surfaces, les vêtements et les parties du corps. Exemples de mesures applicables : systèmes de ventilation aspirante et de captage des poussières, pulvérisation d'eau et forage humide. Contrôlez les poussières et les fumées à la source lorsque cela est possible. Assurez-vous que ces systèmes sont correctement installés, entretenus et utilisés.
- ▶ Porter, entretenir et utiliser correctement l'appareil de protection respiratoire comme indiqué par votre employeur et tel que requis par les réglementations de santé et de sécurité. L'appareil de protection respiratoire doit être compatible avec le type de substance en cause (et le cas échéant, approuvé par l'autorité gouvernementale pertinente).
- ▶ Travailler dans une zone bien ventilée.

- ▶ Si la machine dispose d'un système d'échappement, dirigez ce dernier de manière à réduire les mouvements de poussière dans un environnement chargé en poussières.
- ▶ Exploiter et entretenir la machine comme cela est recommandé dans les Prescriptions de sécurité et instructions pour l'opérateur.
- ▶ Sélectionner, entretenir et remplacer les consommables / les outils d'insertion / et autres accessoires comme cela est recommandé dans les Prescriptions de sécurité et instructions pour l'opérateur. Le choix incorrect ou le défaut d'entretien de consommables / outils d'insertion / et autres accessoires peut provoquer une augmentation inutile des poussières ou fumées.
- ▶ Sur le lieu de travail, portez des vêtements de protection lavables ou jetables. Avant de quitter le lieu de travail, douchez-vous et changez de vêtements, pour réduire votre exposition aux poussières et fumées et celle des autres, des voitures, des maisons et des autres zones.
- ▶ Évitez de manger, boire ou fumer hors dans les zones exposées aux poussières ou aux fumées.
- ▶ Lavez-vous les mains et le visage dès que possible avant de quitter la zone exposée, et toujours avant de manger, boire ou fumer, ou d'entrer en contact avec d'autres personnes.
- ▶ Respectez toutes les lois et règlements applicables, y compris les normes de sécurité et de santé au travail.
- ▶ Participez à la surveillance de l'air, aux programmes d'examen médical, et aux programmes de formation à la santé et à la sécurité proposés par votre employeur ou les organisations professionnelles, et conformément aux normes et recommandations de sécurité et de santé au travail. Consultez un médecin spécialiste en médecine du travail.
- ▶ Discutez avec votre employeur et avec les organisations professionnelles, pour réduire l'exposition aux poussières et aux fumées sur le chantier, et pour réduire les risques. Mettre en place et appliquer des programmes de santé et de sécurité efficaces, des politiques et des procédures pour protéger les ouvriers et autres personnes contre toute exposition aux poussières et fumées nocives, sur les conseils de spécialistes de la santé et la sécurité. Consultez ces experts et spécialistes.
- ▶ Les résidus de substances dangereuses sur la machine peuvent constituer un risque. Avant d'entreprendre toute opération de maintenance sur la machine, la nettoyer soigneusement.

▲ AVERTISSEMENT Projectiles

Une pièce, des accessoires, ou même l'outil qui se détache peuvent se transformer en projectiles à grande vitesse. En cours de fonctionnement, des éclats de roche ou d'autres particules du matériau de travail peuvent se transformer en projectiles et provoquer des blessures en frappant l'opérateur ou d'autres personnes. Pour réduire ces risques :

- ▶ Utilisez des équipements de protection personnelle et un casque de sécurité approuvés, y compris une protection oculaire résistante avec protection latérale.
- ▶ Assurez-vous qu'aucune personne non autorisée ne pénètre dans la zone de travail.
- ▶ Maintenir le lieu de travail propre et exempt de corps étrangers.
- ▶ Assurez-vous que la pièce à travailler est correctement fixée.

▲ AVERTISSEMENT Risques liés aux éclats de roche

L'utilisation de l'outil d'insertion comme outil à main peut engendrer des éclats de roche qui risquent de heurter l'opérateur et de le blesser.

- ▶ Ne jamais utiliser l'outil d'insertion comme outil d'arasement. Ces outils sont spécialement conçus et traités thermiquement pour être utilisés uniquement dans une machine.

▲ AVERTISSEMENT Risques de glissades, de trébuchements et de chute

Il existe des risques de glissades, de trébuchements et de chute, par exemple sur des flexibles ou d'autres objets. Une glissade, un trébuchement ou une chute peut provoquer des blessures. Pour réduire ce risque :

- ▶ Toujours s'assurer qu'aucun flexible ou autre objet ne risque, d'une manière ou d'une autre, de gêner le passage d'une personne.
- ▶ Assurez-vous de toujours adopter une position stable, les pieds dans le prolongement de vos épaules et votre poids bien réparti sur les deux jambes.

▲ AVERTISSEMENT Risques liés aux mouvements

Lorsque vous utilisez la machine pour effectuer des travaux, vous pouvez ressentir de l'inconfort dans les mains, les bras, les épaules, le cou, ou d'autres parties du corps.

- ▶ Adoptez une position confortable tout en maintenant une base sûre et évitez les postures inconfortables en déséquilibre.
- ▶ Changer de posture durant les longues sessions de travail peut contribuer à éviter l'inconfort et la fatigue.
- ▶ En cas de symptômes persistants ou récurrents, consultez un professionnel de la santé qualifié.

▲ AVERTISSEMENT Dangers liés aux vibrations

L'utilisation normale et adéquate de la machine expose l'opérateur à des vibrations. L'exposition régulière et fréquente aux vibrations peut causer, contribuer à, ou aggraver les blessures ou les troubles au niveau des doigts, des mains, des poignets, des bras, des épaules et/ou des nerfs et de la circulation sanguine et/ou d'autres parties du corps de l'opérateur, y compris les blessures ou les troubles qui peuvent se développer graduellement sur des semaines, des mois, ou des années. De telles blessures ou troubles peuvent inclure des dommages au niveau du système de circulation sanguine, du système nerveux, des articulations et éventuellement au niveau d'autres parties du corps.

En cas d'apparition, à un moment quelconque, d'engourdissement, de malaises récurrents persistants, de sensation de brûlure, de raideur, de douleur lancinante, de fourmillement, de douleur, de maladresse, d'affaiblissement du poignet, de blanchissement de la peau ou d'autres symptômes lors de l'utilisation de la machine ou en dehors de celle-ci, cessez toute utilisation de la machine, informez votre employeur et consultez un médecin. Le fait de continuer à utiliser la machine après l'apparition de tels symptômes risque de les aggraver et/ou de les rendre permanents.

Utilisez et entretenez la machine conformément aux instructions, afin d'éviter toute augmentation inutile des vibrations.

Les mesures suivantes peuvent contribuer à réduire l'exposition de l'opérateur aux vibrations :

- ▶ Laissez l'outil faire le travail. Utilisez une poignée manuelle réduite permettant un contrôle approprié et une utilisation en toute sécurité.
- ▶ Si la machine est équipée de poignées antivibratoires, maintenez-les en position centrale, en évitant d'enfoncer les poignées jusqu'à leur butées.
- ▶ Lorsque le mécanisme de percussion est activé, le seul contact entre votre corps et la machine doit être celui de vos mains sur la/les poignée(s). Évitez tout autre contact, notamment d'appuyer une partie quelconque du corps contre la machine ou de vous pencher sur cette dernière pour essayer d'en augmenter la capacité d'avance. Il est également important de ne pas maintenir le dispositif de marche/arrêt actionné lorsque vous retirez l'outil de la surface de travail cassée.

- ▶ Assurez-vous que l'outil inséré est correctement entretenu (et aiguisé s'il s'agit d'un outil coupant), en bon état et de la taille appropriée. Les outils insérés mal entretenus, usés ou de dimension inadaptée allongent la durée d'exécution d'une tâche (et celle de l'exposition aux vibrations) et peuvent induire ou contribuer à des niveaux plus élevés d'exposition aux vibrations.
- ▶ Arrêtez immédiatement de travailler si la machine commence soudainement à vibrer fortement. Avant de recommencer à travailler, identifiez la cause de l'augmentation des vibrations et remédiez-y.
- ▶ Évitez d'attraper, de tenir et de toucher l'outil inséré lorsque la machine est en marche.
- ▶ Participez à la surveillance médicale, aux examens médicaux et aux programmes de formation offerts par votre employeur ou imposés par la loi.
- ▶ Lorsque vous travaillez dans des conditions de froid, portez des vêtements chauds et gardez les mains au chaud et au sec.
- ▶ L'air d'évacuation est fortement refroidi et ne doit pas entrer en contact avec l'opérateur. Toujours diriger l'air d'évacuation loin des mains et du corps.

Voir « Énoncé déclaratif sur les vibrations et le bruit » pour la machine, y compris les valeurs des vibrations déclarées. Ces informations figurent à la fin des « Prescriptions de sécurité et instructions pour l'opérateur ».

- ◆ Respectez la pression d'air recommandée lorsque vous utilisez la machine. Une pression d'air plus élevée ou plus faible peut entraîner des niveaux de vibrations plus élevés.

▲ DANGER Dangers électriques

La machine n'est pas isolée électriquement. Tout contact de la machine avec de l'électricité risque de provoquer des blessures graves ou la mort.

- ▶ N'utilisez jamais la machine près d'un câble électrique ou d'une autre source d'électricité.
- ▶ Assurez-vous de l'absence de câbles cachés ou d'autres sources d'électricité dans la zone de travail.

▲ AVERTISSEMENT Dangers liés aux objets cachés

En cours de fonctionnement, les tuyaux et câbles cachés constituent une source potentielle de blessures graves.

- ▶ Vérifiez la composition du matériau avant toute utilisation.
- ▶ Faites attention aux câbles et aux tuyaux cachés, comme les tuyaux d'électricité, de téléphone, d'eau, de gaz et les canalisations d'égouts, etc.
- ▶ Si vous pensez avoir touché un objet caché avec l'outil, arrêtez immédiatement la machine.
- ▶ Vérifiez que tout danger est écarté avant de continuer.

▲ AVERTISSEMENT Démarrage accidentel

Le démarrage accidentel de la machine peut provoquer des blessures.

- ▶ Gardez les mains bien éloignées du dispositif de marche/arrêt jusqu'au moment de commencer à démarrer la machine.
- ▶ Apprenez à éteindre la machine en cas d'urgence.
- ▶ Relâchez immédiatement le dispositif de marche/arrêt en cas de coupure d'énergie quelconque.
- ▶ À chaque fixation ou retrait de l'outil d'insertion, coupez l'arrivée d'air, purgez la machine en appuyant sur le dispositif de marche/arrêt, puis débranchez la machine de la source d'alimentation.

▲ AVERTISSEMENT Danger lié au bruit

Des niveaux de bruit élevés peuvent provoquer une perte d'audition permanente et d'autres problèmes tels que l'acouphène (sonnerie, grondement, sifflement ou bourdonnement dans les oreilles). Afin de réduire les risques et d'éviter une augmentation inutile des niveaux de bruit :

- ▶ L'évaluation des risques de ces dangers et de mise en œuvre de mesures de contrôle appropriées est essentielle.
- ▶ Exploiter et entretenir la machine comme cela est recommandé dans ces instructions.
- ▶ Sélectionner, entretenir et remplacer l'outil d'insertion comme cela est recommandé dans ces instructions.
- ▶ Si la machine dispose d'un silencieux, il faut vérifier qu'il est en place et en bon état de fonctionnement.
- ▶ Toujours utiliser des protections auditives.
- ▶ Utilisez un matériau amortissant afin d'éviter que les pièces « résonnent ».

Maintenance, précautions

▲ AVERTISSEMENT Modifications sur la machine

Toute modification sur la machine peut provoquer des blessures physiques à vous-même ou aux autres.

- ▶ Ne jamais modifier la machine. Toute machine modifiée n'est pas couverte par la garantie ou la responsabilité produits.
- ▶ Utilisez toujours des pièces, des outils d'insertion et des accessoires d'origine.
- ▶ Remplacez immédiatement les pièces endommagées.
- ▶ Remplacez les éléments ou pièces usés sans attendre.

▲ ATTENTION Outil d'insertion brûlant

L'extrémité de l'outil d'insertion devient chaude et affûtée à l'usage. Vous risquez de vous brûler et de vous couper si vous la touchez.

- ▶ Ne touchez jamais un outil d'insertion brûlant ou affûté.
- ▶ Attendez que l'outil d'insertion ait refroidi avant d'effectuer des tâches de maintenance.

▲ AVERTISSEMENT Risques liés à l'outil d'insertion

L'actionnement accidentel du dispositif de marche/arrêt en cours d'entretien ou d'installation peut causer des blessures graves, si la source d'alimentation est connectée.

- ▶ Ne jamais inspecter, nettoyer, installer ou déposer l'outil d'insertion avec la source d'alimentation connectée.

Stockage, précautions

- ◆ Conservez la machine et les outils bien verrouillés, dans un endroit sûr, hors de la portée des enfants.

Vue d'ensemble

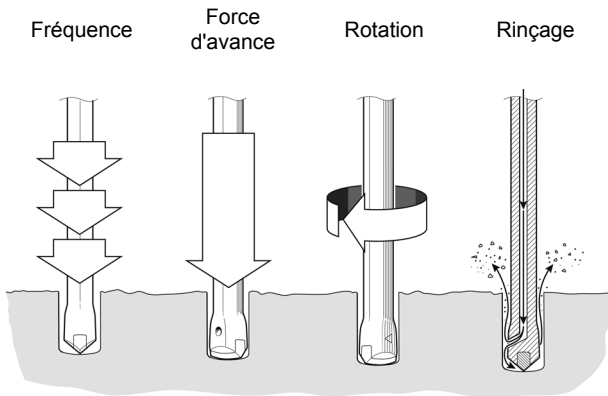
Il convient de lire attentivement la section des consignes de sécurité figurant sur les pages précédentes du présent document avant toute utilisation de la machine, afin de minimiser le risque de blessures graves ou de dommages pouvant entraîner la mort.

Conception et fonctionnement

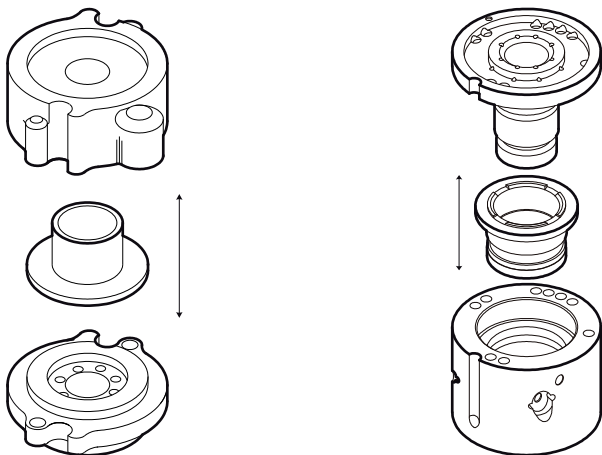
Les marteaux perforateurs pneumatiques Atlas Copco CP 0022, CP 0032 et CP 0069 sont conçus pour la perforation verticale, le burinage et le perçage dans le béton, dans les domaines de la construction et de l'exploitation minière. Toute autre utilisation est interdite.

Pour choisir l'outil d'insertion correct, veuillez contacter votre représentant local Chicago Pneumatic.

Principe de fonctionnement d'un marteau perforateur

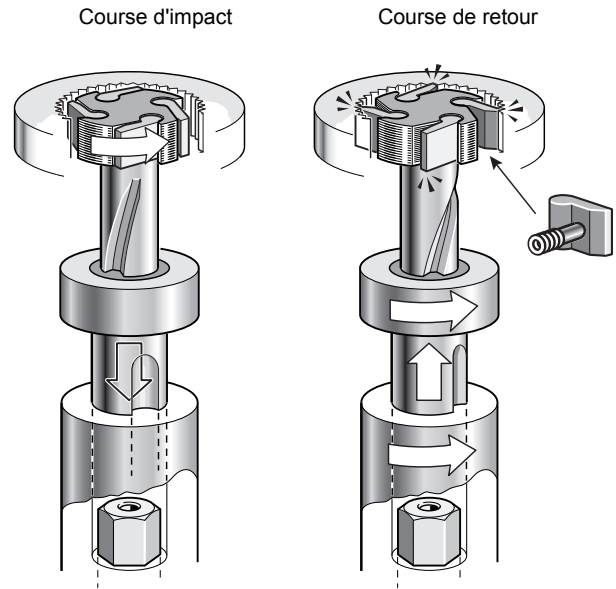


Mécanisme de la vanne de commande



La soupape dirige l'air en alternance de chaque côté du piston afin de le faire monter et descendre. Le piston transmet alors l'énergie par le fleuret vers le fond du trou.

Mécanisme de rotation

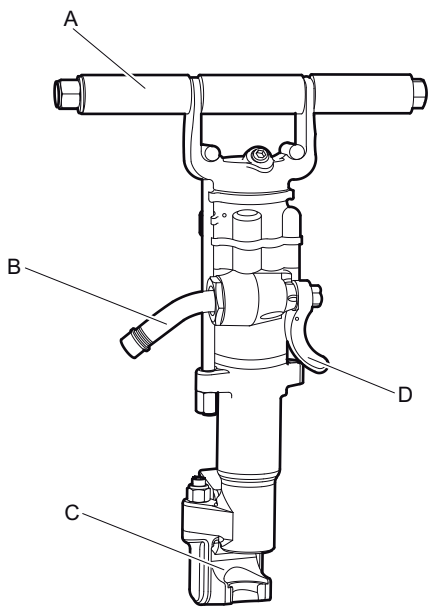


Le marteau-perforateur tourne légèrement à chaque coup engendré par la rotation de l'arbre hélicoïdal. La rotation se fait dans le sens inverse des aiguilles d'une montre et s'effectue lors de la course de retour du piston.

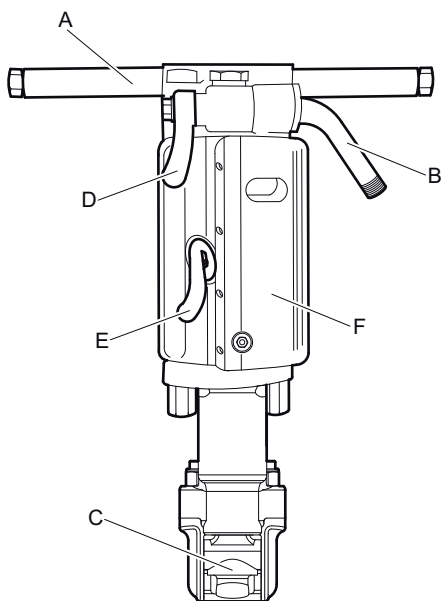
Rinçage

Le soufflage est dirigé à travers un trou dans le piston. Cela signifie que l'air de soufflage est fourni dès que l'air comprimé arrive.

Pièces principales



CP 0022 KL



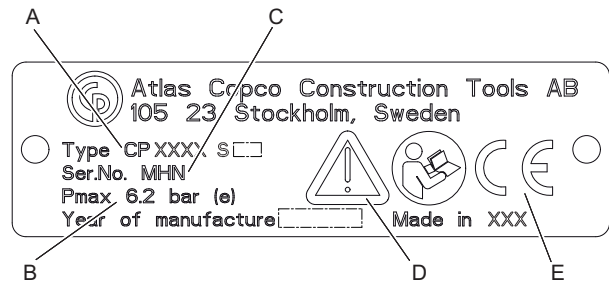
CP 0032, CP 0069

- A. Poignée
- B. Embout de prise d'air
- C. Décaleur du fleuret
- D. Levier de commande
- E. Levier pour soufflage supplémentaire
- F. Silencieux (option)

Étiquettes

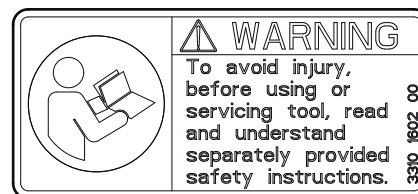
La machine comporte des étiquettes contenant des informations importantes pour la sécurité des personnes et l'entretien de la machine. Les étiquettes doivent être faciles à lire. De nouvelles étiquettes peuvent être commandées en utilisant la liste des pièces détachées.

Plaque signalétique



- A. Type de machine
- B. Pression d'air comprimé maximale autorisée
- C. Numéro de série
- D. Le symbole « Attention » accompagné du symbole du livre signifie que l'utilisateur doit lire les « Prescriptions de sécurité et instructions pour l'opérateur » avant la première utilisation de la machine.
- E. Le symbole CE indique la conformité de la machine avec les directives applicables. Pour plus d'informations, consultez la déclaration CE de conformité fournie avec la machine. L'absence du symbole CE indique que la machine n'est pas conforme aux directives applicables.

Étiquette de sécurité



Lire et comprendre les consignes de sécurité fournies séparément avant d'utiliser l'outil ou d'effectuer son entretien, afin d'éviter tout risque de blessures.

Pose

Déballage du marteau perforateur

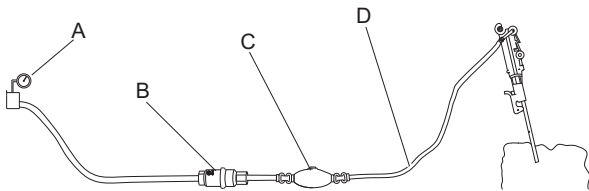
Protections en plastique

Avant la première utilisation du marteau perforateur, retirez toutes les protections en plastique des raccords.

Lubrification

Après déballage et installation de l'outil, versez une quantité généreuse d'huile lubrifiée dans la connexion d'air.

Flexibles et connexions



- A. Source d'air comprimé
 - B. Séparateur d'eau (en option)
 - C. Lubrificateur (en option)
 - D. 3 m (10 feet) maximum de flexible d'air comprimé entre l'huile et la machine.
- ◆ Vérifiez que vous utilisez la bonne pression de fonctionnement recommandée, 87 psig (6 bar (e)).
 - ◆ Ne dépassez pas la pression d'air maximale autorisée pour la machine - 90 psig (6,2 bar (e)).
 - ◆ Éliminez toute impureté du flexible d'air comprimé avant de le brancher à la machine.
 - ◆ Sélectionnez un flexible d'air comprimé possédant une dimension et une longueur correctes. Pour les longueurs de flexible allant jusqu'à 100 feet (30 mètres), il faut utiliser un flexible de diamètre intérieur minimal de $\frac{3}{4}$ in. (19 mm). Si la longueur de flexible est de 100 à 330 feet (30 à 100 mètres), il faut utiliser un flexible de diamètre intérieur minimal de 1 in. (25 mm).

Mesures de prévention du gel

Le givrage peut se produire dans le silencieux lorsque la température ambiante est de 0-10 (32-50 °F) et que l'humidité relative est élevée.

La machine est conçue pour éviter le givrage dans le silencieux. Cependant, dans des conditions extrêmes, du givre peut se former dans le silencieux.

Les actions suivantes sont mises en oeuvre pour éviter le risque de formation de givre :

- ◆ Utilisez une huile pour perforateur.
- ◆ Utilisez un séparateur d'eau.

Branchement d'un séparateur d'eau

Utilisez un flexible suffisamment long entre le compresseur et le séparateur d'eau pour assurer le refroidissement et la condensation de la vapeur d'eau dans le flexible avant d'atteindre le séparateur d'eau.

Si la température ambiante est inférieure à 32°F (0°C), le flexible ne doit pas être très long afin que l'eau n'y gèle pas avant d'atteindre le séparateur d'eau.

Lubrifiant

Le lubrifiant joue un rôle important dans le fonctionnement de la machine et a une grande incidence sur sa durée de vie. Afin de fournir le volume d'huile adéquat, un graisseur devrait être branché au flexible d'air. Il est recommandé d'utiliser le graisseur de ligne de Chicago Pneumatic. Pour garantir une bonne lubrification, la longueur du flexible d'air entre le graisseur et l'outil pneumatique ne doit pas dépasser 10 feet (3 m).

Une lubrification excessive peut causer des problèmes de démarrage, une faible puissance ou une performance irrégulière.

Lubrifiant recommandé : Huile pour marteau perforateur avec une viscosité de 100-150 SUS à 100°F (ISO VG 22-32).

Fleuret

⚠ AVERTISSEMENT Outil d'insertion éjecté

Si la sécurité de l'outil n'est pas verrouillée sur la machine, l'outil d'insertion risque d'être éjecté avec force, et de provoquer des dommages corporels.

- ▶ Avant de changer l'outil d'insertion, arrêtez la machine, coupez l'alimentation d'air comprimé et purgez la machine en activant le dispositif de marche/arrêt.

Avant de fixer le fleuret

Vérifiez que le diamètre et la longueur de l'emmanchement de l'outil conviennent au porte-fleuret utilisé. L'emmanchement du fleuret doit être propre et l'outil en bon état. Les emmanchements ébréchés, arrondis, avec un défaut d'équerre ou trop durs à leur extrémité ne fonctionneront pas efficacement et provoqueront une défaillance prématurée du piston.

Inspectez le fleuret :

Des fleurets émoussés ralentiront la vitesse du forage et provoqueront une tension excessive sur le mécanisme. Lorsque vous changez les fleurets, vérifiez que vous utilisez un fleuret du même diamètre que celui utilisé lors du dernier forage.

Avant de forer, vérifiez que l'orifice d'injection pratiqué dans le fleuret n'est pas bouché.

⚠ ATTENTION Outil d'insertion brûlant

L'extrémité de l'outil d'insertion devient chaude et affûtée à l'usage. Vous risquez de vous brûler et de vous couper si vous la touchez.

- ▶ Ne touchez jamais un outil d'insertion brûlant ou affûté.
- ▶ Attendez que l'outil d'insertion ait refroidi avant d'effectuer des tâches de maintenance.

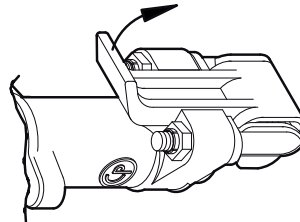
AVIS Ne jamais refroidir un outil d'insertion chaud dans l'eau. Ceci peut fragiliser l'outil et entraîner sa rupture prématurée.

Fixation du fleuret

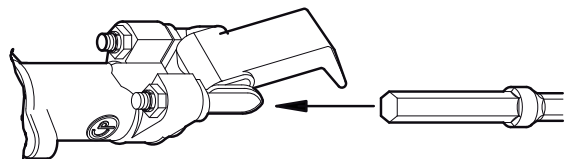
CP 0022 KL, CP 0032, CP 0069

Les instructions suivantes doivent être observées lors de chaque fixation du fleuret :

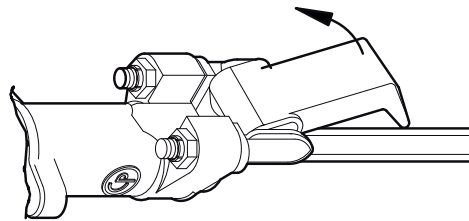
1. Poussez le décaleur vers l'intérieur dans le sens de la flèche, jusqu'à ce que sa partie avant coïncide avec la collerette du fleuret.



2. Insérez le fleuret dans le porte-douille.



3. Quand le fleuret est en butée, repoussez le décaleur pour le verrouiller.

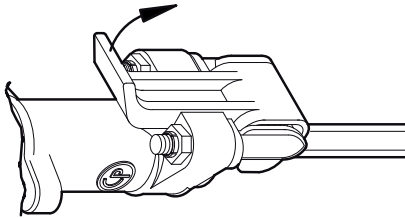


Retrait du fleuret

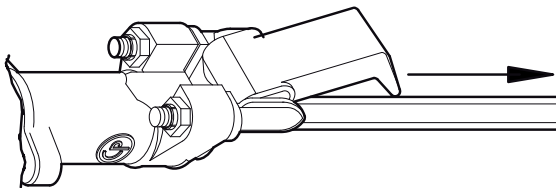
CP 0022 KL, CP 0032, CP 0069

Les instructions suivantes doivent être observées lors de chaque dépose du fleuret :

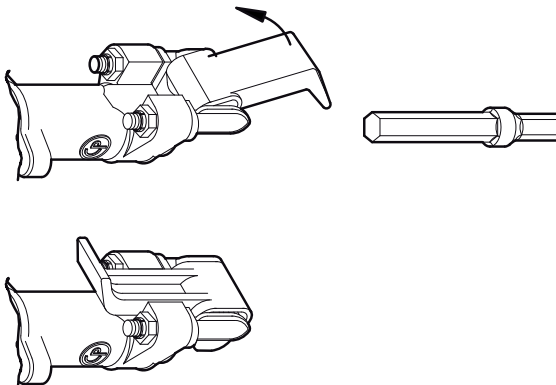
1. Poussez le décaleur vers l'intérieur dans le sens de la flèche jusqu'à ce que la collerette du fleuret se désolidarise de la partie avant du décaleur.



2. Retirez le fleuret en tirant dessus.



3. Refermez le dispositif de retenue.

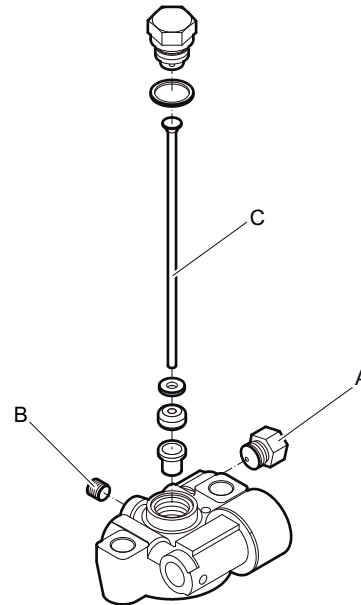


Forage humide

Avant la conversion pour le forage humide

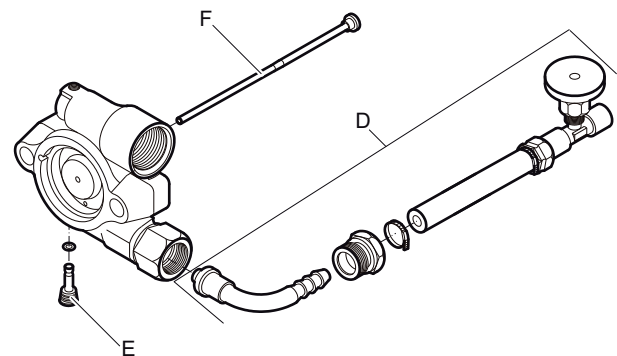
Avant de convertir la machine pour le forage humide, coupez toujours l'arrivée d'air et purgez la machine en appuyant sur la poignée de commande. Débranchez ensuite le flexible d'air de la machine.

Conversion pour le forage humide



Uniquement pour CP 0032 et CP 0069

1. Desserrez le bouchon (A) du raccord d'eau.
2. Desserrez le bouchon (B) de la tête arrière.
3. Déposez le tube d'air (C) de la tête arrière.



Uniquement pour CP 0032 et CP 0069

1. Assemblez le kit de conversion d'eau (D) et le reliez au raccord d'eau.
2. Serrez le bouchon (E) dans la tête arrière.
3. Positionnez le tube d'eau (F) dans la tête arrière.

Utilisation

▲ AVERTISSEMENT Démarrage accidentel

Le démarrage accidentel de la machine peut provoquer des blessures.

- ▶ Gardez les mains bien éloignées du dispositif de marche/arrêt jusqu'au moment de démarrer la machine.
- ▶ Apprenez à éteindre la machine en cas d'urgence.
- ▶ Arrêtez immédiatement la machine en cas de coupure d'énergie quelconque.

Opérations à effectuer avant de démarrer

Contrôler l'équipement de forage

- ◆ Vérifiez que l'intégralité de l'équipement de forage est en bon état de marche.
- ◆ Vérifiez que la surface d'impact de l'emmanchement du fleuret est bien plate et sans traces d'usure.
- ◆ Assurez-vous que l'arrivée d'air et les ports d'échappement ne sont pas obstrués.
- ◆ Vérifiez que les orifices d'injection/soufflage du fleuret et le foret ne sont pas bouchés et que l'air ou l'eau circulent sans obstruction.
- ◆ Assurez-vous que le filtre à air (situé dans le raccord d'alimentation en air comprimé) est bien propre, sans pliure ni torsion.
- ◆ Assurez-vous que tous les raccords sont bien serrés et étanches.

▲ DANGER Coup de fouet d'un flexible pneumatique

Un flexible d'air comprimé qui se détache risque de fouetter dans tous les sens et de provoquer des dommages corporels ou la mort

- ▶ Vérifiez que le flexible d'air comprimé et les raccords ne sont pas endommagés.
- ▶ Vérifiez que les raccords d'air comprimé sont correctement fixés.

Purger le flexible à air

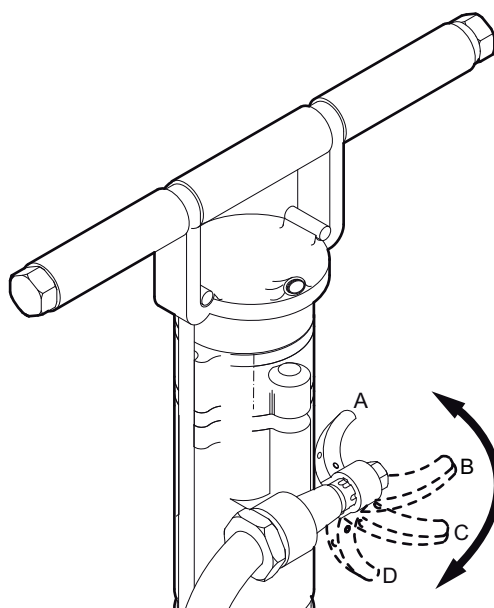
- ◆ Purgez le flexible à air chaque jour avant d'utiliser le marteau perforateur pour éliminer l'humidité et les saletés accumulées.

Remplissez le lubrificateur d'huile

- ◆ Vérifiez que le porte-fleuret et le fleuret soient toujours couverts d'un film d'huile.

Commandes

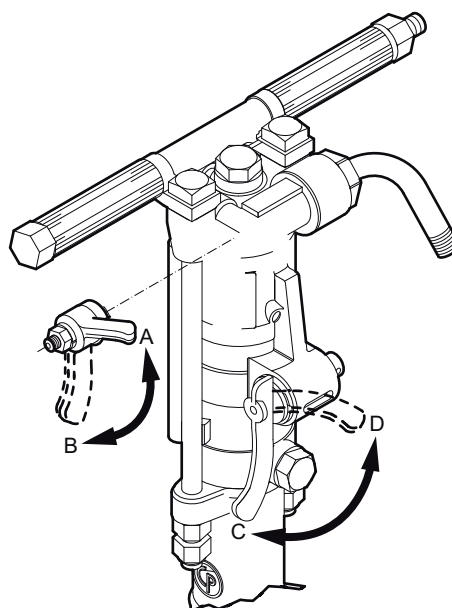
Levier de commande



CP 0022 KL

Le marteau perforateur est équipé d'un levier de commande qui permet de réguler le débit d'air comprimé dans le mécanisme de percussion.

- ◆ Soupape du sélecteur fermée (position arrêt) (A).
- ◆ Soufflage uniquement (B).
- ◆ Levier de commande à demi ouvert (C).
- ◆ Levier de commande ouvert à fond (D).



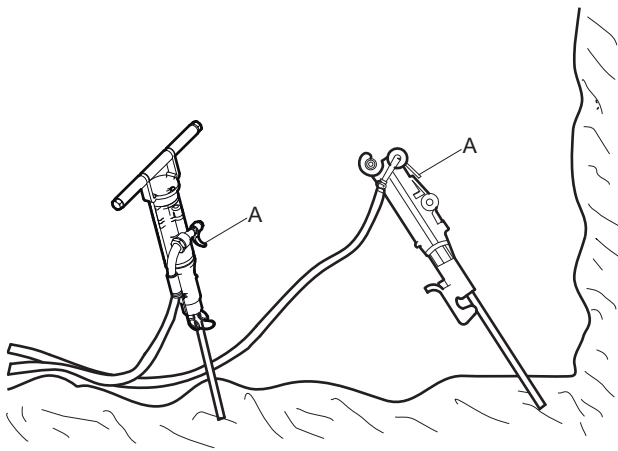
CP 0032 et CP 0069

Le marteau perforateur est équipé d'un levier de commande qui permet de réguler le débit d'air comprimé dans le mécanisme de percussion et d'un levier pour soufflage supplémentaire.

- ◆ Soupape du sélecteur fermée (position arrêt) (A). Uniquement soufflage.
- ◆ Levier de commande ouvert à fond (B).
- ◆ Soupape de soufflage fermée (position arrêt) (C).
- ◆ Soupape de soufflage ouvert à fond (D).

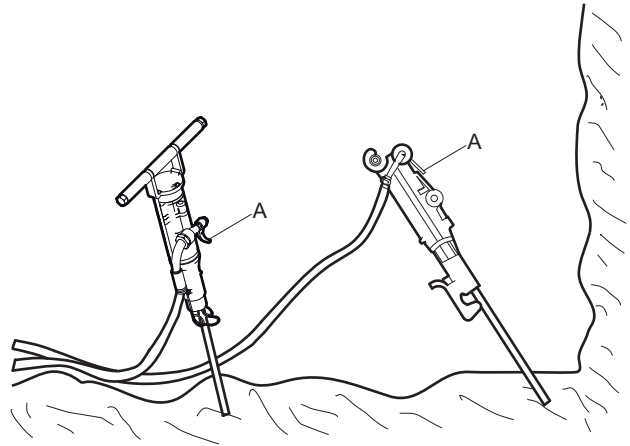
Marche/arrêt

Démarrage du marteau perforateur



1. Ouvrez la vanne d'alimentation du compresseur.
2. Alignez le marteau perforateur de façon à ce que le fleuret touche le point d'amorçage souhaité.
3. Poussez légèrement le levier de commande (A) vers l'avant pour activer le dispositif de percussion et de rotation.
4. Amorcez le trou avec une force de poussée réduite.
5. Poussez le levier de commande (A) à fond vers l'avant une fois que le fleuret a trouvé une base sûre dans la roche.

Arrêt du marteau perforateur



1. Tirez le levier de commande (A) vers l'arrière en position fermée, pour arrêter la percussion et la rotation.

Utilisation

Forage

- ◆ Utilisez des chaussures, des gants et un casque de sécurité, une protection auditive ainsi que des protecteurs oculaires résistants aux chocs avec protection latérale.
- ◆ Restez bien droit et maintenez toujours la machine avec les deux mains.
- ◆ Maintenez fermement l'outil d'insertion contre la surface à travailler avant de démarrer la machine.

Lors des pauses

- ◆ Pendant toutes vos pauses, vous devez éloigner la machine de manière à éliminer tout risque de démarrage accidentel. Assurez-vous de placer la machine sur le sol, de manière qu'elle ne tombe pas.
- ◆ En cas de pause prolongée ou lorsque vous quittez votre lieu de travail : Coupez l'alimentation électrique, puis purgez la machine en activant le dispositif de marche/arrêt.

Maintenance

Une maintenance régulière est une condition fondamentale pour que la machine reste un outil sûr et efficace. Respectez soigneusement les instructions d'entretien.

- ◆ Avant de commencer l'entretien de la machine, nettoyez-la afin d'éviter toute exposition aux substances dangereuses. Voir « Dangers liés aux poussières et aux fumées ».
- ◆ N'utilisez que des pièces de rechange autorisées. Aucun dommage ou mauvais fonctionnement dû à l'utilisation de pièces non autorisées n'est couvert par la garantie ou la responsabilité produits.
- ◆ Lors du nettoyage des pièces mécaniques avec un solvant, assurez-vous que vous respectez bien les normes de sécurité et de santé et que la ventilation est suffisante.
- ◆ Pour un entretien plus complet de la machine, contactez l'atelier homologué le plus proche.
- ◆ Après chaque service, vérifiez que le niveau de vibrations de la machine est normal. Sinon, contactez votre atelier agréé le plus proche.

Chaque jour

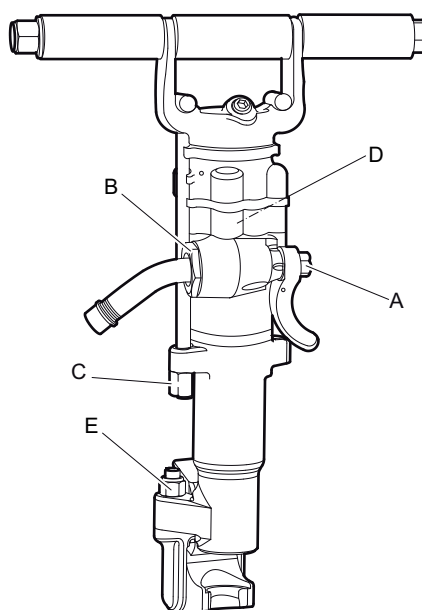
Avant d'entreprendre une tâche de maintenance ou de changer un outil d'insertion d'une machine pneumatique, coupez toujours l'arrivée d'air et purgez la machine en appuyant sur le dispositif de marche/arrêt. Débranchez ensuite le flexible pneumatique de la machine.

- ◆ Nettoyez et inspectez la machine et ses fonctionnalités chaque jour, avant son utilisation.
- ◆ Effectuez une inspection générale des fuites et dommages.
- ◆ Vérifiez que l'embout de prise d'air est bien serré et que le raccord décaleur n'est pas endommagé.
- ◆ Contrôlez le fonctionnement de la poignée de gaz. Assurez-vous qu'elle se déplace librement de haut en bas.
- ◆ Contrôlez le fonctionnement du décaleur. Assurez-vous qu'il verrouille le fleuret.
- ◆ Remplacez immédiatement les pièces endommagées.
- ◆ Remplacez les éléments ou pièces usés sans attendre.
- ◆ Contrôlez les tirants de la machine. Assurez-vous qu'ils sont bien serrés.
- ◆ Si la machine dispose d'un silencieux, il faut vérifier qu'il est en bon état de fonctionnement.

Maintenance périodique

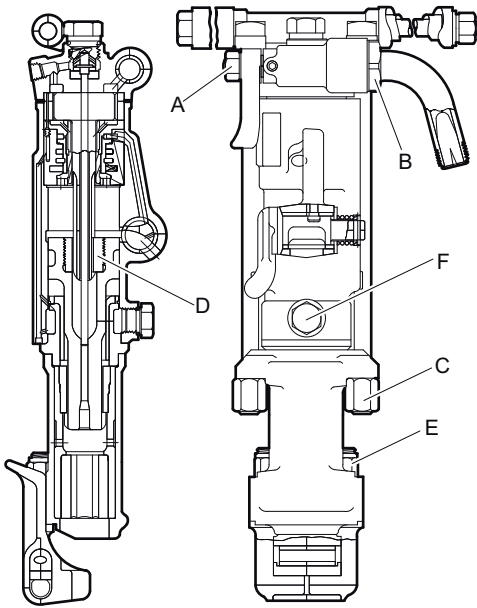
Après chaque période d'utilisation d'environ 100 heures, ou trois fois par an, la machine doit être démontée et toutes les pièces nettoyées et examinées. Ce travail doit être effectué par du personnel autorisé et formé à cette tâche.

Couple de serrage



CP 0022 KL

- A. Écrou, 70-80 ft.lbf (95-108 Nm)
- B. Écrou d'entrée d'air, 110-120 ft.lbf (149-163 Nm)
- C. Écrou de tirant, 90-100 ft.lbf (122-136 Nm)
- D. Écrou de rotation, 200-225 ft.lbf (271-305 Nm)
- E. Écrou, 100-110 ft.lbf (136-149 Nm)



CP 0032, CP 0069

- A. Écrou, 35-40 ft.lbf (47-54 Nm)
- B. Écrou d'entrée d'air, 125-150 ft.lbf (169-203 Nm)
- C. Écrou de tirant, 110-120 ft.lbf (149-163 Nm)
- D. Écrou de rotation, 200-225 ft.lbf (271-305 Nm)
- E. Écrou, 100-110 ft.lbf (136-149 Nm)
- F. Bouchon d'huile, 90-100 ft.lbf (122-136 Nm)

Types de dégâts

Les pièces usées ou cassées doivent toujours être examinées attentivement avant d'être mises au rebut. Elles peuvent donner des informations importantes sur l'état du marteau perforateur et sur la façon dont il est utilisé et entretenu.

Symptôme	Cause
Les pièces en acier sont bleutées	Les pièces ont été exposées à une température excessive. Cela peut être dû à une lubrification insuffisante ou à un fonctionnement au ralenti
Les pièces métalliques présentent des fissures quasi microscopiques sur les surfaces d'usure	Voir ci-dessus
Les pièces en bronze présentent des irrégularités en surface	Voir ci-dessus
Rayures	Dégâts secondaires L'intérieur du perforateur est sale
	Mauvais alignement intérieur provoqué par une tension inégale des boulons latéraux

Stockage

- > Lubrifiez systématiquement le marteau perforateur avant de le ranger.
- > Stockez toujours la machine dans un endroit propre et sec.
- > Assurez-vous qu'aucun corps étranger ne pénètre dans l'appareil.
- > Protégez le porte-fleuret à l'aide du cache en plastique fourni avec l'appareil. Le cas échéant, utilisez un bouchon de bois ou un morceau propre de bourre de coton.
- > En cas de stockage de longue durée, appliquez une certaine quantité d'huile directement sur les entrées d'air de la perforatrice puis activez brièvement l'air. Cette mesure protégera la machine contre la corrosion.

Destruction d'une machine usagée

Toute machine usagée doit être traitée et détruite de telle manière que la plus grande partie des matériaux puisse être recyclée et que tout impact négatif sur l'environnement soit aussi faible que possible, et conformément aux réglementations locales.

Données techniques

Caractéristiques de la machine

Modèle	Référence	Diamètre du piston in. (mm)	Course in. (mm)	Longueur totale in. (mm)	Poids lb (kg)	Dimension de l'emmanchement d'outil in. (mm)
CP 0022 KL 7/8" x 3 1/4"	8900 0020 01	2 3/8 (60)	1 1/4 (44)	18 3/4 (475)	32 (14,7)	7/8 x 3 1/4 (22 X 82,5)
CP 0022 KL 7/8" x 4 1/4"	8900 0020 02	2 3/8 (60)	1 1/4 (44)	19 9/16 (500)	33 (14,9)	7/8 x 4 1/4 (22 x 108)
CP 0032 A 7/8" x 3 1/4"	T022318	2 5/8 (67)	2 (51)	22 (559)	54 (24,5)	7/8 x 3 1/4 (22 X 82,5)
CP 0032 A 7/8" x 4 1/4"	T022117	2 5/8 (67)	2 (51)	23 (584)	54 (24,5)	7/8 x 4 1/4 (22 x 108)
CP 0032 AS 7/8" x 4 1/4"	T025431	2 5/8 (67)	2 (51)	23 (584)	54 (24,5)	7/8 x 4 1/4 (22 x 108)
CP 0032 A 1" x 4 1/4"	T022319	2 5/8 (67)	2 (51)	23 (584)	54 (24,5)	1 x 4 1/4 (25 x 108)
CP 0069 7/8" x 4 1/4"	T006661	2 3/4 (70)	2 5/8 (67)	24 1/2 (622)	64 (29,1)	7/8 x 4 1/4 (22 x 108)
CP 0069 1" x 4 1/4"	T022259	2 3/4 (70)	2 5/8 (67)	24 1/2 (622)	64 (29,1)	1 x 4 1/4 (25 x 108)
CP 0069 WET 7/8" x 4 1/4"	T025423	2 3/4 (70)	2 5/8 (67)	24 1/2 (622)	64 (29,1)	7/8 x 4 1/4 (22 x 108)

Modèle	Consommation d'air (6 bar) foot ³ /min (l/s)	Fréquence de frappe (6 bar) Hz	Diamètre de foration in. (mm)
CP 0022 KL 7/8" x 3 1/4"	56 (22)	37	≤1 1/2 (≤38)
CP 0022 KL 7/8" x 4 1/4"	56 (22)	37	≤1 1/2 (≤38)
CP 0032 A 7/8" x 3 1/4"	103 (48)	37	≤2 (≤50)
CP 0032 A 7/8" x 4 1/4"	103 (48)	37	≤2 (≤50)
CP 0032 AS 7/8" x 4 1/4"	103 (48)	37	≤2 (≤50)
CP 0032 A 1" x 4 1/4"	103 (48)	37	≤2 (≤50)
CP 0069 7/8" x 4 1/4"	130 (61)	32	≤2 1/2 (≤62,5)
CP 0069 1" x 4 1/4"	130 (61)	32	≤2 1/2 (≤62,5)
CP 0069 WET 7/8" x 4 1/4"	130 (61)	32	≤2 1/2 (≤62,5)

Énoncé déclaratif sur les vibrations et le bruit

Niveau de puissance acoustique garanti **L_w** selon la norme EN ISO 3744 conformément à la directive 2000/14/CE.

Niveau de pression acoustique **L_p** selon la norme EN ISO 11203.

Niveau des vibrations **A** et incertitude **B** selon la norme EN ISO 20643. Veuillez consulter le tableau « Données relatives au bruit et aux vibrations » pour les valeurs A, B, etc.

Ces valeurs déclarées ont été obtenues à l'issue de tests de type effectués en laboratoire conformément à la directive ou aux normes énoncées et peuvent être comparées aux valeurs déclarées pour d'autres outils testés conformément aux mêmes directives ou normes. Ces valeurs déclarées ne sont pas appropriées pour l'utilisation dans les évaluations de risques et les valeurs mesurées dans différents lieux de travail peuvent être plus élevées. Les valeurs d'exposition et le risque de blessure pour un utilisateur particulier sont uniques et dépendent de la façon dont il travaille, du matériel sur lequel la machine est utilisée, ainsi que de la durée d'exposition, de l'état physique de l'utilisateur et de l'état de la machine.

Atlas Copco Construction Tools AB, ne peut être tenu pour responsable des conséquences d'une utilisation des valeurs déclarées à la place des valeurs correspondant à l'exposition réelle, dans le cadre d'une évaluation des risques sur un lieu de travail dont nous ne maîtrisons aucun élément.

L'utilisation de cet outil peut entraîner l'apparition du syndrome de vibration du système main-bras si elle n'est pas effectuée de manière adéquate. Vous trouverez guide publié par l'UE sur les vibrations transmises à la main et au bras à l'adresse <http://www.humanvibration.com/humanvibration/EU/VIBGUIDE.html>

Nous recommandons un programme de contrôle médical pour détecter par avance les symptômes éventuellement liés à l'exposition aux vibrations, afin de permettre la modification des procédures de gestion et la prévention des infirmités futures.

Données relatives au bruit et aux vibrations

Modèle	Bruit		Vibration	
	Valeurs déclarées		Valeurs déclarées	
	Pression acoustique	Puissance acoustique	Valeurs triaxiales	
	EN ISO 11203	2000/14/CE	EN ISO 20643	
	L_p r=1m dB(A) rel 20µPa	L_w garanti dB(A) rel 1pW	A m/s ² valeur	B m/s ² étalé
CP 0022 KL 7/8" x 3 1/4"	106	116	25,7	3,0
CP 0022 KL 7/8" x 4 1/4"	106	116	25,7	3,0
CP 0032 A 7/8" x 3 1/4"	111	122	21,9	2,7
CP 0032 A 7/8" x 4 1/4"	111	122	21,9	2,7
CP 0032 AS 7/8" x 4 1/4"	103	114	21,9	2,7
CP 0032 A 1" x 4 1/4"	111	122	21,9	2,7
CP 0069 7/8" x 4 1/4"	113	124	29,0	3,4
CP 0069 1" x 4 1/4"	113	124	29,0	3,4
CP 0069 WET 7/8" x 4 1/4"	113	124	29,0	3,4

Accessoires

Description	Remarque	Nombre	Référence
Graisseur 43, type US (NPT)	Pour huile minérale et huile synthétique	1	8900 0050 07
Graisseur 1300, type européen (BSP)	Pour huile minérale et huile synthétique	1	8900 0050 02
Séparateur d'eau, type US (NPT)	Débit d'air <130 ft ³ /min (60 l/s)	1	8900 0050 01
Séparateur d'eau, type européenne (BSP)	Débit d'air <130 ft ³ /min (60 l/s)	1	8900 0050 00
Tuau d'air RED-X, 60 m	20 mm (3/4")	1	8900 0050 10

Déclaration CE de conformité

Déclaration CE de conformité (Directive 2006/42/CE)

Nous, Atlas Copco Construction Tools AB, déclarons par la présente que les machines énumérées ci-dessous sont conformes aux dispositions de la directive européenne 2006/42/CE (directive « Machines »), et des normes harmonisées mentionnées ci-dessous.

Perforateur	No de référence	Pmax (bar)
CP 0022 KL 7/8" x 3¼"	8900 0020 01	6.2
CP 0022 KL 7/8" x 4¼"	8900 0020 02	6.2
CP 0032 A 7/8" x 3¼"	T022318	6.2
CP 0032 A 7/8" x 4¼"	T022117	6.2
CP 0032 AS 7/8" x 4¼"	T025431	6.2
CP 0032 A 1" x 4¼"	T022319	6.2
CP 0069 7/8" x 4¼"	T006661	6.2
CP 0069 1" x 4¼"	T022259	6.2
CP 0069 WET 7/8" x 4¼"	T025423	6.2

Les normes harmonisées suivantes ont été appliquées :

EN ISO 11148-5

Représentant agréé de la documentation technique :

Per Forsberg

Atlas Copco Construction Tools AB

Dragonvägen 2

Kalmar

Vice-président Conception et Développement :

Erik Sigfridsson

Fabricant :

Atlas Copco Construction Tools AB

105 23 Stockholm

Sweden

Lieu et date :

Kalmar, 2012-06-30

DEUTSCH

Inhalt

Einleitung	45
Informationen zu den Sicherheitshinweisen und der Betriebsanleitung	45
Sicherheitshinweise	46
Sicherheits-Signalworte.....	46
Personliche Vorsichtsmaßnahmen und Qualifikationen.....	46
Installation, Vorsichtsmaßnahmen.....	46
Betrieb, Vorsichtsmaßnahmen.....	47
Wartung, Vorsichtsmaßnahmen.....	52
Lagerung, Vorsichtsmaßnahmen.....	52
Übersicht	53
Konstruktion und Funktion.....	53
Hauptkomponenten.....	53
Aufkleber.....	54
Einbau	54
Auspacken des Bohrers.....	54
Schläuche und Anschlüsse.....	54
Methoden zur Vermeidung von Einfrieren.....	55
Anschließen eines Wasserabscheiders.....	55
Schmierung.....	55
Bohrstahl.....	55
Nassbohren.....	56
Betrieb	57
Vorbereitungen vor der Inbetriebnahme.....	57
Bedienelemente.....	58
Start und Stopp.....	59
Betrieb.....	59
Einlegen von Pausen.....	59
Wartung	59
Täglich.....	60
Regelmäßige Wartung.....	60
Anziehdrehmoment.....	60
Schadensmuster.....	61
Lagerung	61
Entsorgung	61
Technische Daten	62
Maschinendaten.....	62
Angaben zu Geräuschemission und Vibration.....	62
Angaben zu Geräuschemission und Vibration.....	63
Zubehör.....	63
EG-Konformitätserklärung	64
EG-Konformitätserklärung (EG-Richtlinie 2006/42/EG).....	64

Einleitung

Wir danken Ihnen für die Wahl eines Produkts von Chicago Pneumatic. In der Druckluftwerkzeug-Industrie steht die Marke Chicago Pneumatic seit über 100 Jahren für Leistung und Innovation.

Heute bietet das Unternehmen weltweit eine breite Palette pneumatischer und hydraulischer Werkzeuge. Dazu gehören Aufbrechhämmer, Bohrhämmer, Meißelhämmer, Grabhämmer, Abbauhämmer und Niethämmer, Spitzhämmer, Pumpen und vieles mehr.

Die Marke Chicago Pneumatic garantiert stets leistungsfähige, leicht zu bedienende und zuverlässige Produkte mit einem hervorragenden Preis-Leistungs-Verhältnis.

Weitere Informationen erhalten Sie auf unserer Website: www.cp.com

Atlas Copco Construction Tools AB
105 23 Stockholm
Sweden

Informationen zu den Sicherheitshinweisen und der Betriebsanleitung

Ziel dieser Anleitung ist es, Sie mit der sicheren und effizienten Bedienung des Bohrhammers vertraut zu machen. Die Anleitung enthält auch Hinweise zur Durchführung regelmäßiger Wartungsarbeiten am Bohrhammer.

Lesen Sie bitte diese Anleitung vor der ersten Benutzung des Bohrhammers genau durch.

Sicherheitshinweise

Lesen Sie bitte vor Installation, Betrieb, Reparatur und Wartung der Maschine bzw. vor dem Wechsel von Zubehör die Sicherheitshinweise und die Betriebsanleitung sorgfältig durch, um Unfallrisiken, die mit ernsthaften Verletzungen oder Lebensgefahr verbunden sein können, zu vermeiden.

Schlagen Sie diese Sicherheitshinweise und Betriebsanleitung am Arbeitsplatz an. Verteilen Sie Kopien an die Mitarbeiter. Stellen Sie sicher, dass jeder Mitarbeiter vor dem Betrieb der Maschine oder vor Wartungsarbeiten diese Sicherheitshinweise und Betriebsanleitung liest.

Darüber hinaus sollten der Bediener oder der Arbeitgeber des Bedieners die spezifischen Risiken bewerten, die bei jeder Anwendung dieser Maschine bestehen.

Sicherheits-Signalworte

Die Sicherheits-Signalworte Gefahr, Warnung und Achtung haben folgende Bedeutung:

GEFAHR	Hinweis auf eine Gefahrensituation, die bei Nichtbeachtung zu schweren oder lebensgefährlichen Unfällen führt.
WARNUNG	Hinweis auf eine Gefahrensituation, die bei Nichtbeachtung zu schweren oder lebensgefährlichen Unfällen führen kann.
VORSICHT	Hinweis auf eine Gefahrensituation, die bei Nichtbeachtung zu geringen oder leichten Verletzungen führen kann.

Personliche Vorsichtsmaßnahmen und Qualifikationen

Die Maschine darf nur von qualifiziertem und geschultem Personal bedient oder gewartet werden. Dieses muss physisch in der Lage sein, mit Größe, Gewicht und Leistung der Maschine umzugehen. Verlassen Sie sich immer auf Ihren gesunden Menschenverstand.

Schutzausrüstung

Verwenden Sie stets geeignete Schutzausrüstung! Von Mitarbeitern und anderen Personen im Arbeitsbereich ist mindestens folgende Schutzausrüstung zu tragen:

- > Schutzhelm
- > Gehörschutz
- > Schutzbrille (mit seitlicher Abschirmung der Augen)
- > Atemmaske (bei Bedarf)
- > Schutzhandschuhe
- > Geeignete Sicherheitsschuhe
- > Geeigneter Arbeitsanzug oder ähnliche (eng anliegende) Kleidung, die Arme und Beine bedeckt.

Drogen, Alkohol oder Medikamente

▲ **WARNUNG Drogen, Alkohol oder Medikamente**

Drogen, Alkohol oder Medikamente können Ihre Urteilskraft und Konzentrationsfähigkeit einschränken. Schlechte Reaktionsfähigkeit und Fehleinschätzungen können zu schweren Verletzungen führen.

- ▶ Bedienen Sie die Maschine niemals, wenn Sie müde sind oder unter dem Einfluss von Drogen, Alkohol oder Medikamenten stehen.
- ▶ Personen, die unter dem Einfluss von Drogen, Alkohol oder Medikamenten stehen, dürfen die Maschine nicht bedienen.

Installation, Vorsichtsmaßnahmen

▲ **GEFAHR Ausschlagender Druckluftschlauch**

Ein Druckluftschlauch, der sich gelöst hat, kann ausschlagen und lebensgefährliche Verletzungen verursachen. Zur Verhütung dieses Unfallrisikos ist Folgendes zu beachten:

- ▶ Stellen Sie sicher, dass Druckluftschlauch und Anschlüsse unbeschädigt sind, und ersetzen Sie diese gegebenenfalls.
- ▶ Stellen Sie sicher, dass sämtliche Druckluftanschlüsse korrekt befestigt sind.
- ▶ Tragen Sie eine Druckluftmaschine niemals am Druckluftschlauch.

- ▶ Ein unter Druck stehender Druckluftschlauch darf unter keinen Umständen abgebaut oder demontiert werden. Schalten Sie zuerst die Druckluft am Kompressor aus und lassen Sie die Maschine durch Betätigen des Start- und Stoppschalters auslaufen.
- ▶ Verwenden Sie an der Werkzeugaufnahme keine Schnellkupplungen. Verwenden Sie Schlaucharmaturen mit Gewinde und aus gehärtetem Stahl (oder aus Material mit vergleichbarer Stoßfestigkeit).
- ▶ Bei Verwendung von Universaldrehkupplungen (Klauenkupplungen) empfehlen wir die Installation von Sicherungsstiften und Sicherungskabeln (die das Umherschlagen von Druckschläuchen verhindern), um den erforderlichen Schutz zu gewährleisten, falls eine Verbindung von Werkzeug zu Schlauch oder von Schlauch zu Schlauch versagt.

▲ **WARNUNG Lösen des Werkzeugs**

Wenn die Werkzeugaufnahme nicht arretiert ist, kann das Werkzeug mit Gewalt ausgeworfen werden. Dies kann zu ernsthaften Verletzungen führen.

- ▶ Starten Sie die Maschine niemals während des Werkzeugwechsels.
- ▶ Schalten Sie vor dem Wechseln von Werkzeug oder Zubehör immer die Energieversorgung aus, und lassen Sie die Maschine durch Betätigen des Start- und Stoppschalters auslaufen.
- ▶ Richten Sie das Werkzeug nie auf eine andere Person oder den eigenen Körper!
- ▶ Stellen Sie sicher, dass das Werkzeug vollständig eingesetzt ist und die Werkzeugaufnahme arretiert ist, bevor Sie die Maschine einschalten.
- ▶ Prüfen Sie die Arretierung, indem Sie kräftig und ruckartig am Werkzeug ziehen.

▲ **WARNUNG Bewegen / Herausrutschen des Werkzeugs**

Eine falsche Werkzeugschaftgröße kann dazu führen, dass das eingesetzte Werkzeug während des Betriebs herausrutscht. Hierbei besteht die Gefahr von schweren Verletzungen, z. B. Brüche von Händen und Fingern.

- ▶ Stellen Sie sicher, dass das Werkzeug die für die Maschine passende Größe und Schaftlänge besitzt.
- ▶ Verwenden Sie niemals Werkzeuge ohne Bund.

Betrieb, Vorsichtsmaßnahmen

▲ **GEFAHR Explosionsgefahr**

Wenn ein heißes Werkzeug mit Explosivstoffen in Kontakt kommt, kann es zu einer Explosion kommen. Bei der Arbeit mit bzw. der Verwendung von bestimmten Materialien können Funken auftreten und Explosionen verursachen. Explosionen können zu ernsthaften Verletzungen oder zum Tod führen.

- ▶ Die Maschine nie in einer explosiven Umgebung betreiben.
- ▶ Verwenden Sie die Maschine niemals in der Nähe von entzündlichen Materialien, Dämpfen oder Staub.
- ▶ Stellen Sie sicher, dass keine verborgenen Gasquellen oder Explosivstoffe vorhanden sind.
- ▶ Bohren Sie niemals in einem alten Bohrloch.

▲ **WARNUNG Unerwartete Bewegungen**

Das Werkzeug wird während des Betriebs der Maschine stark beansprucht. Das Werkzeug kann nach Ablauf der Lebensdauer aufgrund von Werkstoffermüdung brechen. Wenn das Werkzeug bricht oder verklemmt, kann die Maschine plötzliche und unerwartete Bewegungen ausführen, die Verletzungen verursachen können. Außerdem kann es zu Verletzungen kommen, wenn Sie das Gleichgewicht verlieren oder ausrutschen.

- ▶ Stellen Sie sicher, dass Sie immer eine stabile Standposition einnehmen. Verteilen Sie dazu Ihr Körpergewicht auf beide Füße, die schulterbreit auseinanderstehen.
- ▶ Prüfen Sie die Ausrüstung vor jeder Anwendung. Bei Schadensverdacht darf die Ausrüstung auf keinen Fall verwendet werden.
- ▶ Stellen Sie sicher, dass die Griffe sauber und frei von Fett oder Öl sind.
- ▶ Halten Sie Ihre Füße vom Werkzeug fern.
- ▶ Stehen Sie sicher und halten Sie die Maschine mit beiden Händen fest.
- ▶ Bohren Sie niemals in einem alten Bohrloch.
- ▶ Starten Sie niemals die Maschine, wenn sie auf dem Boden liegt.
- ▶ „Reiten“ Sie niemals mit einem Bein über dem Griff auf der Maschine.
- ▶ Gehen Sie mit der Ausrüstung sorgsam um.
- ▶ Prüfen Sie das Werkzeug regelmäßig auf Abnutzung, Beschädigungen oder sichtbare Risse.
- ▶ Achten Sie während des Betriebs auf ungewöhnliche Vorgänge.

▲ WARNUNG Gefahr durch Blockieren

Wenn das Werkzeug während des Betriebs blockiert und Sie die Maschine nicht mit ausreichender Kraft festhalten, fängt die ganze Maschine an, sich zu drehen. Dieses unerwartete Drehen der gesamten Maschine kann zu schweren Verletzungen oder zum Tod führen.

- ▶ Stehen Sie sicher und halten Sie die Maschine immer mit beiden Händen fest.
- ▶ Stellen Sie sicher, dass der Griff/die Griffe sauber und frei von Fett oder Öl sind.
- ▶ Bohren Sie niemals in einem alten Bohrloch.

▲ WARNUNG Gefahr durch Erfassen von Kleidung

Es besteht die Gefahr, dass Schals, Halstücher, Haare und Handschuhe in rotierendes Einsteckwerkzeug oder Zubehör eingerollt oder eingezogen werden. Dies kann zu ernsthaften bzw. tödlichen Verletzungen durch Erwürgen, Skalpiereien oder Aufschlitzen führen. Zur Verhütung dieses Unfallrisikos ist Folgendes zu beachten:

- ▶ Versuchen Sie niemals, einen rotierenden Bohrstahl zu berühren oder anzufassen.
- ▶ Tragen Sie keine Kleidung (z. B. Halstücher usw.), die erfasst werden kann.
- ▶ Decken Sie lange Haare mit einem Haarnetz ab.

▲ WARNUNG Gefahren durch Abgase und Staub

Staub und/oder Abgase, die beim Betrieb der Maschine erzeugt oder freigesetzt werden, können zu ernsthaften und chronischen Atemwegserkrankungen oder zu körperlichen Beeinträchtigungen führen (z. B. zu Silikose, ernsthaften chronischen Lungenerkrankungen, Krebs, Erbkrankheiten und/oder Hautentzündungen).

Einige Staubsorten und Abgase, die beim Bohren, Aufbrechen, Hämmern, Sägen, Schleifen oder anderen Bautätigkeiten freigesetzt werden, enthalten chemische Elemente, die Atemwegserkrankungen, Krebs oder Erbkrankheiten auslösen. Dazu gehören z. B.:

- > Steinstaub, Zement und andere Baustoffe.
- > Arsen und Chrom aus chemisch behandeltem Gummi.
- > Blei aus bleihaltigen Farben.

In der Luft vorhandene Abgase und Staub können für das bloße Auge unsichtbar sein. Verlassen Sie sich daher nicht auf eine lediglich optische Kontrolle, ob Abgase und Staub in der Luft vorhanden sind.

Um die Gefahren durch Abgase und Staub zu vermindern, befolgen Sie folgende Anweisungen:

- ▶ Führen Sie eine auf den jeweiligen Arbeitsplatz bezogene Risikoanalyse durch. Die Risikoanalyse sollte die von der Maschine freigesetzten Abgase und Staub sowie ein mögliches Aufwirbeln von vorhandenem Staub berücksichtigen.
- ▶ Verwenden Sie geeignete technische Hilfsmittel zur Minimierung von Abgasen und Staub in der Luft sowie auf der Oberfläche von Ausrüstung, Kleidung und Körperteilen. Zu solchen Hilfsmitteln gehören z. B.: Absaugungen und Staubsammelsysteme, Sprühwasseranlagen und Nassbohren. Begrenzen Sie Staub und Abgase möglichst an deren Entstehungsquelle. Stellen Sie sicher, dass diese Hilfsmittel korrekt installiert, gewartet und angewendet werden.
- ▶ Tragen Sie stets geeignete sowie korrekt angewendete und gewartete Atemmasken, entsprechend den Anweisungen des Arbeitgebers sowie entsprechend den betrieblichen Gesundheits- und Sicherheitsbestimmungen. Die Atemmaske muss für die jeweilige Substanz geeignet (und möglichst von der zuständigen staatlichen Behörde genehmigt) sein.
- ▶ Arbeiten Sie in einem gut belüfteten Bereich.
- ▶ Verfügt die Maschine über ein Abgasrohr, richten Sie dieses so aus, dass die Staubaufwirbelungen in staubigen Umgebungen möglichst gering sind.

- ▶ Betrieb und Wartung der Maschine sind entsprechend den Sicherheitshinweisen und der Betriebsanleitung durchzuführen.
- ▶ Auswahl, Wartung und Austausch von Verbrauchsmaterialien/ Werkzeugen/ anderem Zubehör sind entsprechend den Sicherheitshinweisen und der Betriebsanleitung durchzuführen. Die falsche Wahl oder ungenügende Wartung von Verbrauchsmaterialien/ Werkzeugen/ anderem Zubehör kann die Freisetzung von Staub und Abgasen erhöhen.
- ▶ Tragen Sie am Arbeitsplatz abwaschbare oder Einwegschutzkleidung; Duschen Sie oder wechseln Sie die Kleidung vor dem Verlassen des Arbeitsplatzes, um Ihre eigene Belastung durch Staub und Abgase und die anderer Personen bzw. von Autos, Heimstätten und anderer Bereiche so gering wie möglich zu halten.
- ▶ Vermeiden Sie das Essen, Trinken oder Rauchen in Bereichen, in denen eine Belastung durch Staub und Abgase vorhanden ist.
- ▶ Waschen Sie umgehend nach dem Verlassen des Belastungsbereichs sowie stets vor dem Essen, Trinken, Rauchen oder dem Kontakt mit anderen Personen Ihre Hände und Ihr Gesicht.
- ▶ Beachten Sie alle relevanten Gesetze und Vorschriften sowie die betrieblichen Gesundheits- und Sicherheitsbestimmungen.
- ▶ Nehmen Sie entsprechend den betrieblichen Gesundheits- und Sicherheitsbestimmung an Schulungen zur Luftreinhaltung, medizinischen Prüfungen und Gesundheits- und Sicherheitsprogrammen teil, wenn diese von Ihrem Arbeitgeber oder von den Berufsverbänden angeboten werden. Konsultieren Sie Ärzte, die auf Arbeitsmedizin spezialisiert sind.
- ▶ Arbeiten Sie mit Ihrem Arbeitgeber und Berufsverband zusammen, um die Gefahren durch Abgase und Staub am Arbeitsplatz zu vermindern. Effektive Gesundheits- und Sicherheitsprogramme, -regelungen und -verfahren zum Schutz von Mitarbeitern und anderen Personen vor gefährlichen Stäuben und Abgasen sollten entsprechend dem Rat von Gesundheits- und Sicherheitsexperten erstellt und implementiert werden. Lassen Sie sich von Experten beraten.
- ▶ Rückstände von gefährlichen Substanzen auf der Maschine bergen Risiken. Säubern Sie die Maschine vor jeder Wartung gründlich.

▲ **WARNUNG** **Fliegende Splitter**

Fehler des Werkstücks, des Zubehörs oder der Maschine selbst können mit hoher Geschwindigkeit fliegende Splitter erzeugen. Beim Arbeiten können Splitter oder andere Partikel des bearbeiteten Materials zu Geschossen werden und ernsthafte Verletzungen verursachen, wenn Sie den Maschinenbenutzer oder andere Personen treffen. Zur Verhütung dieses Unfallrisikos ist Folgendes zu beachten:

- ▶ Tragen Sie immer geeignete Schutzausrüstung und einen Schutzhelm, einschließlich einer Schutzbrille mit seitlicher Abschirmung der Augen.
- ▶ Stellen Sie sicher, dass Unbefugte den Arbeitsbereich nicht betreten können.
- ▶ Der Arbeitsplatz ist sauber und aufgeräumt zu hinterlassen.
- ▶ Stellen Sie sicher, dass das Werkstück wirklich fest sitzt.

▲ **WARNUNG** **Gefahren durch Splitter**

Wird das Werkzeug als Handschlagwerkzeug zweckentfremdet, kann dies zu Verletzungen durch Splitter führen.

- ▶ Verwenden Sie ein Werkzeug niemals als Handschlagwerkzeug. Die Werkzeuge sind speziell konstruiert und thermisch behandelt und dürfen nur in einer Maschine verwendet werden.

▲ **WARNUNG** **Gefahren durch Ausrutschen, Stolpern und Hinfallen**

Es besteht die Gefahr, auszurutschen, zu stolpern oder hinzufallen, z. B. Stolpern über Schläuche oder andere Gegenstände. Ausrutschen, Stolpern oder Hinfallen kann zu Verletzungen führen. Zur Verhütung dieses Unfallrisikos ist Folgendes zu beachten:

- ▶ Stellen Sie stets sicher, dass Ihnen oder anderen Personen keine Schläuche oder andere Objekte in Weg sind.
- ▶ Stellen Sie sicher, dass Sie immer eine stabile Standposition einnehmen. Verteilen Sie dazu Ihr Körpergewicht auf beide Füße, die schulterbreit auseinander stehen.

▲ WARNUNG Gefahren durch Bewegung

Bei Verwendung der Maschine für arbeitsbezogene Tätigkeiten, können Beschwerden an Händen, Armen, Schultern, am Nacken oder an anderen Körperteilen auftreten.

- ▶ Nehmen Sie eine bequeme Körperhaltung und eine sichere Standposition ein. Vermeiden Sie unsichere, unausgeglichene oder ungeschickte Haltungen.
- ▶ Bei längeren Tätigkeiten kann das Wechseln der Körperposition das Auftreten von Beschwerden und Ermüdungserscheinungen vermeiden helfen.
- ▶ Nehmen Sie bei anhaltenden oder wiederkehrenden Symptomen professionelle medizinische Hilfe in Anspruch.

▲ WARNUNG Gefahren durch Vibration

Der Anwender ist auch bei normaler und richtiger Anwendung der Maschine Vibrationen ausgesetzt. Häufige und regelmäßige Vibrationsbelastungen können zu Verletzungen der Finger, Hände, Handgelenke, Arme, Schultern und/oder der Nerven- oder Blutbahnen oder anderer Körperteile führen oder andere Körperteile führen oder bestehende Schädigungen verschlimmern. Es können chronische Beschwerden oder Schwächungen entstehen, die sich nur allmählich über Zeiträume von Wochen, Monaten oder Jahren entwickeln. Dazu kann eine Schädigung oder Störung des Blutkreislaufs, des Nervensystems, des Bewegungsapparats oder anderer Körperstrukturen gehören.

Falls während oder nach der Benutzung der Maschine andauernde Beschwerden, wie Taubheit, Brennen, Steifheit, Klopfen, Kribbeln, Schmerzen, eingeschränkte Feinmotorik oder Greiffunktion, weißliche Hautverfärbungen oder andere Symptome auftreten, stellen Sie die Arbeit ein, benachrichtigen Sie Ihren Arbeitgeber und begeben Sie sich in medizinische Betreuung. Wenn Sie nach dem Auftreten der genannten Beschwerden die Arbeit an der Maschine fortsetzen, kann das zu einer Verschlimmerung der Beschwerden oder zu chronischen Erkrankungen führen.

Betrieb und Wartung der Maschine sind entsprechend dieser Anleitung durchzuführen, um unnötig starke Vibrationen zu vermeiden.

Die folgenden Hinweise können dazu beitragen, die Vibrationsbelastung für den Anwender gering zu halten:

- ▶ Lassen Sie das Werkzeug die Arbeit verrichten. Wenden Sie zum Festhalten der Maschine nur soviel Kraft auf, wie für deren einwandfreie Steuerbarkeit und sicheren Betrieb mindestens erforderlich ist.
- ▶ Verfügt die Maschine über vibrationsdämpfende Griffe, halten Sie diese in einer zentralen Position, d. h. vermeiden die Griffe bis zum Anschlag nach unten zu drücken.
- ▶ Bei laufendem Schlagmechanismus dürfen Sie keinen anderen Körperkontakt mit der Maschine haben als die Hände am Griff oder an den Griffen. Vermeiden Sie jeden anderen Kontakt, z. B. Anlehnen irgendeines Körperteils an die Maschine, um die Vorschubkraft zu erhöhen. Wichtig ist auch, beim Zurückziehen des Werkzeugs aus der aufgebrochenen Bearbeitungsfläche den Start- und Stoppschalter nicht gedrückt zu halten.

- ▶ Stellen Sie sicher, dass das eingesetzte Werkzeug gut gewartet und nicht abgenutzt ist (einschl. der Schärfe, wenn es sich um ein Schneidwerkzeug handelt) und die richtige Größe hat. Werkzeuge, die nicht gut gewartet oder abgenutzt sind oder die falsche Größe haben, bewirken längere Bearbeitungszeiten und damit auch längere und höhere Vibrationsbelastungen.
- ▶ Stellen Sie sofort die Arbeit ein, wenn die Maschine plötzlich stark zu vibrieren anfängt. Ermitteln und beseitigen Sie die Ursache der verstärkten Vibrationen, bevor Sie die Arbeit fortsetzen.
- ▶ Fassen Sie während des Betriebs der Maschine niemals das Werkzeug an bzw. halten Sie es niemals fest.
- ▶ Nehmen Sie an medizinischen Untersuchungen und Kontrollen teil, wenn diese von Ihrem Arbeitgeber angeboten werden oder gesetzlich vorgeschrieben sind.
- ▶ Tragen Sie beim Arbeiten in kalter Umgebung warme Kleidung, und halten Sie Ihre Hände warm und trocken.
- ▶ Die Abluft ist sehr kalt und darf nicht mit dem Bediener in Berührung kommen. Leiten Sie die Abluft stets von den Händen und vom Körper weg.

Lesen Sie die für diese Maschine geltenden „Angaben zu Geräuschemission und Vibration“ einschließlich der angegebenen Vibrationswerte. Diese Informationen befinden sich am Ende dieser Sicherheits- und Betriebsanleitung.

- ◆ Halten Sie den für den Betrieb der Maschine empfohlenen Luftdruck ein. Höherer oder niedrigerer Luftdruck als der empfohlene kann zu stärkeren Vibrationen führen.

▲ GEFAHR Gefahren durch elektrischen Strom

Die Maschine ist nicht elektrisch isoliert. Wenn die Maschine mit Elektrizität in Kontakt kommt, kann dies zu ernsthaften Verletzungen oder zum Tod führen.

- ▶ Betreiben Sie die Maschine niemals in der Nähe von elektrischen Leitungen oder anderen Stromquellen.
- ▶ Stellen Sie sicher, dass innerhalb des Arbeitsbereichs keine verborgenen elektrischen Quellen vorhanden sind.

▲ WARNUNG Gefahren durch verborgenen Objekte

Beim Arbeiten stellen verborgene Leitungen und Rohre eine Gefahr dar, die zu ernsthaften Verletzungen führen kann.

- ▶ Prüfen Sie vor Beginn der Arbeiten die Zusammensetzung des Materials.
- ▶ Achten Sie auf verborgene Kabel und Leitungen, z. B. Elektro-, Telefon-, Wasser-, Gas- und Abwasserleitungen.
- ▶ Wenn Sie glauben, dass das Werkzeug ein verborgenes Objekt getroffen hat, schalten Sie die Maschine sofort aus.
- ▶ Stellen Sie sicher, dass keine Gefahr besteht, bevor Sie fortfahren.

▲ WARNUNG Unbeabsichtigter Start

Unbeabsichtigtes Starten der Maschine kann zu Verletzungen führen.

- ▶ Halten Sie Ihre Hände so lange vom Start- und Stoppschalter fern, bis Sie zum Starten der Maschine bereit sind.
- ▶ Machen Sie sich damit vertraut, wie die Maschine im Notfall ausgeschaltet wird.
- ▶ Lassen Sie bei jeglicher Unterbrechung der Energieversorgung sofort den Start- und Stoppschalter los.
- ▶ Schalten Sie bei jedem Einsetzen/Entfernen des Werkzeugs die Luftzufuhr ab, lassen Sie die Maschine durch Betätigen des Start- und Stoppschalters auslaufen, und trennen Sie die Maschine von der Energieversorgung.

▲ WARNUNG Gehörverlust

Hohe Schallpegel können zu bleibendem Hörverlust und anderen Problemen wie Tinnitus (Klingel-, Summ-, Brumm- oder Pfeifgeräusche in den Ohren) führen. Zur Verringerung dieser Gefahren und zur Vermeidung von unnötig hohen Schallpegeln ist Folgendes zu beachten:

- ▶ Eine Risikoanalyse dieser Gefahren und eine Implementierung geeigneter Kontrollmaßnahmen werden dringend empfohlen.
- ▶ Betrieb und Wartung der Maschine sind entsprechend dieser Anleitung durchzuführen.
- ▶ Auswahl, Wartung und Austausch des Werkzeugs sind entsprechend dieser Anleitung durchzuführen.
- ▶ Verfügt die Maschine über einen Schalldämpfer, stellen Sie sicher, dass dieser angebracht und in einwandfreiem Zustand ist.
- ▶ Tragen Sie stets einen Gehörschutz.

- ▶ Verwenden Sie dämpfende Materialien, um das „Klingeln“ von Werkstücken zu vermeiden.

Wartung, Vorsichtsmaßnahmen

▲ WARNUNG Änderungen an der Maschine

Änderungen an der Maschine können zu schweren Unfällen führen.

- ▶ Nehmen Sie niemals Änderungen an der Maschine vor. Bei modifizierten Maschinen entfallen Garantie und Produkthaftung.
- ▶ Verwenden Sie stets Originalteile, Originalwerkzeuge und Originalzubehör.
- ▶ Wechseln Sie beschädigte Bauteile sofort aus.
- ▶ Ersetzen Sie verschlissene Komponenten rechtzeitig.

▲ VORSICHT Heißes Werkzeug

Die Spitze des Werkzeugs kann während des Betriebs sehr heiß und scharf werden. Das Berühren der Spitze kann zu Verbrennungen und Schnittverletzungen führen.

- ▶ Berühren Sie niemals ein heißes oder scharfes Werkzeug.
- ▶ Warten Sie mit eventuellen Wartungsarbeiten bis sich das Werkzeug abgekühlt hat.

▲ WARNUNG Gefahren durch Werkzeuge

Sofern die Energieversorgung noch angeschlossen ist, kann ein unbeabsichtigtes Betätigen des Start- und Stoppschalters während Wartungs- oder Installationstätigkeiten zu ernsthaften Verletzungen führen.

- ▶ Prüfen, säubern, installieren oder entfernen Sie niemals das Werkzeug bei noch angeschlossener Energieversorgung.

Lagerung, Vorsichtsmaßnahmen

- ◆ Lagern Sie die Maschine und die Werkzeuge in einer sicheren, abgeschlossenen Umgebung und für Kinder unzugänglich.

Übersicht

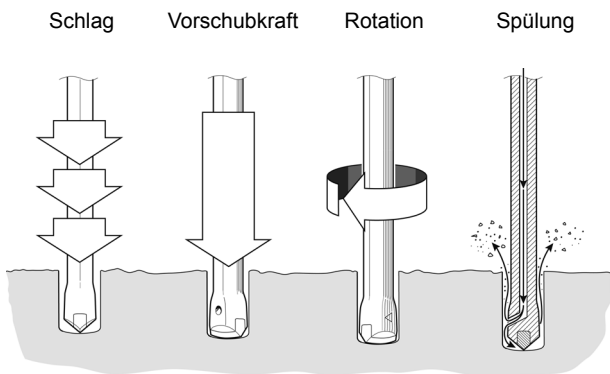
Lesen Sie bitte vor dem Betrieb der Maschine die Sicherheitshinweise auf den vorangegangenen Seiten dieses Handbuchs, um Unfallrisiken, die mit ernsthaften Verletzungen oder Lebensgefahr verbunden sein können, zu vermeiden.

Konstruktion und Funktion

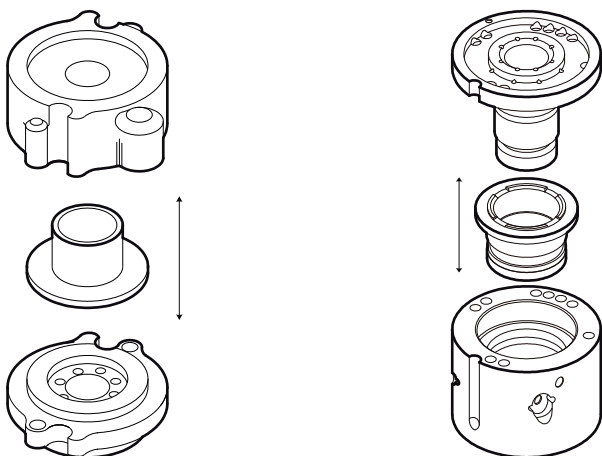
CP 0022, CP 0032 und CP 0069 sind Druckluftbohrhämmer, die für vertikales Bohren, Dübellochbohren und Bohren in Beton für Bau- und Bergbauanwendungen ausgelegt sind. Andere Anwendungen sind nicht zulässig.

Kontaktieren Sie hinsichtlich der Wahl des richtigen Einsteckwerkzeugs Ihren örtlichen Chicago Pneumatic-Händler

Arbeitsprinzip eines Bohrhammers

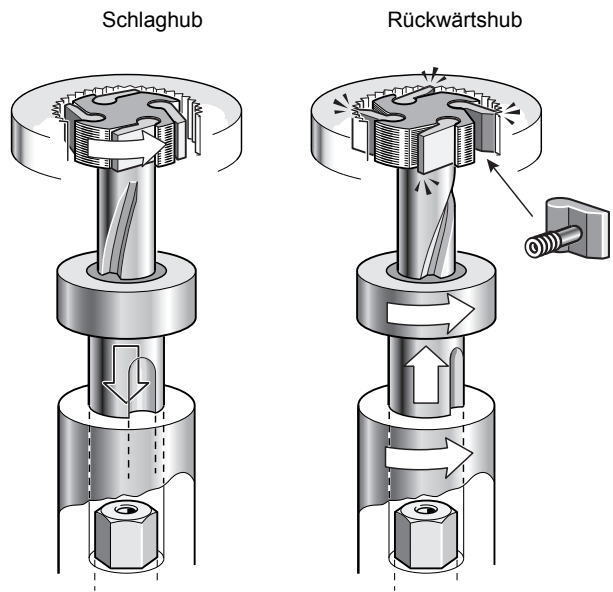


Kontrollventilmechanismus



Das Ventil leitet den Luftstrom abwechselnd zur Ober- oder Unterseite des Kolbens, so dass dieser sich auf und ab bewegt. Der Kolben überträgt die Energie über den Bohrstahl auf den Grund des Bohrlochs.

Rotationsmechanismus

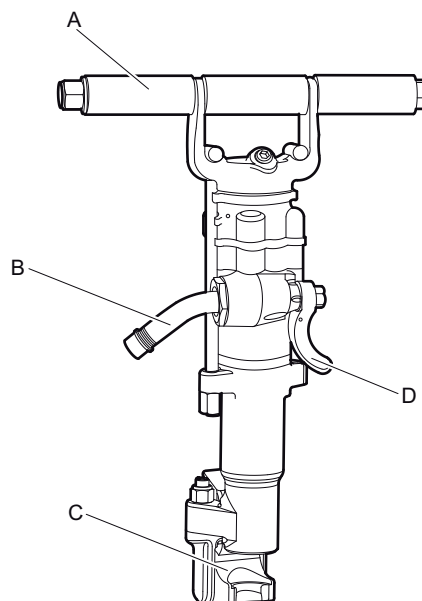


Der Bohrstahl wird bei jedem Schlag der Sperrachsen-Rotation etwas gedreht. Die Rotation läuft gegen den Uhrzeigersinn und wird durch den Rückschlag des Kolbens angetrieben.

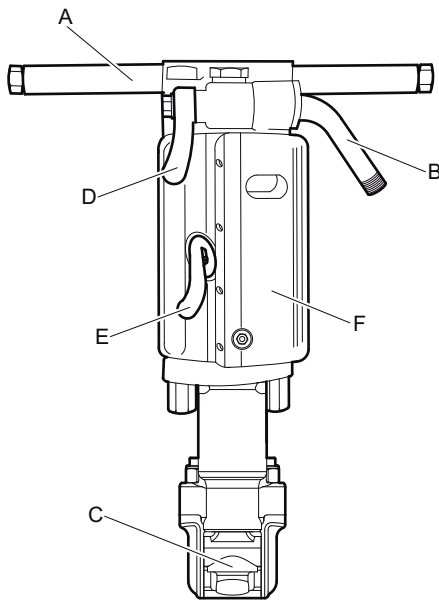
Spülung

Die Spülung wird durch eine Öffnung im Kolben geleitet. Damit steht Spülluft zur Verfügung, sobald die Druckluft eingeschaltet wird.

Hauptkomponenten



CP 0022 KL



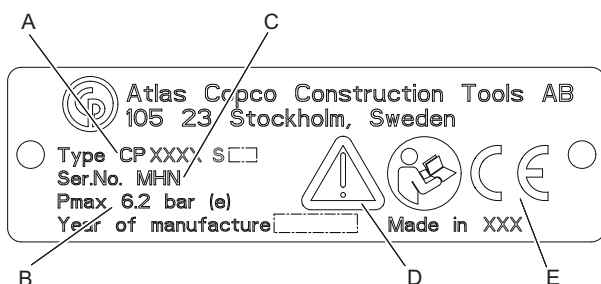
CP 0032, CP 0069

- A. Griff
- B. Luftzufuhrnippel
- C. Bohrstahlaufnahme
- D. Drosselhebel
- E. Hebel für zusätzliches Ausblasen
- F. Schalldämpfer (optional)

Aufkleber

An der Maschine sind Etiketten mit wichtigen Informationen zu Sicherheit und Wartung angebracht. Die Etiketten müssen stets gut lesbar sein. Neue Etiketten können anhand der Ersatzteilliste bestellt werden.

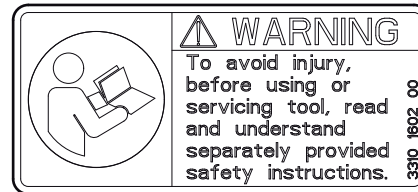
Typenschild



- A. Maschinentyp
- B. Max. zulässiger Druckluftdruck
- C. Seriennummer

- D. Das Warnsymbol und das Buchsymbol weisen darauf hin, dass Sie vor dem ersten Einsatz der Maschine die Sicherheitshinweise und die Betriebsanleitung lesen müssen.
- E. Das CE-Zeichen zeigt an, dass die Maschine EG-geprüft ist. Weitere Informationen dazu finden Sie in der beigegeführten EG-Konformitätserklärung. Fehlt das CE-Zeichen, bedeutet dies, dass die Maschine nicht EG-geprüft ist.

Sicherheitsschild



Lesen Sie vor Benutzung und Wartung des Werkzeugs die separat mitgelieferten Sicherheitshinweise sorgfältig durch, um Verletzungen zu vermeiden.

Einbau

Auspacken des Bohrers

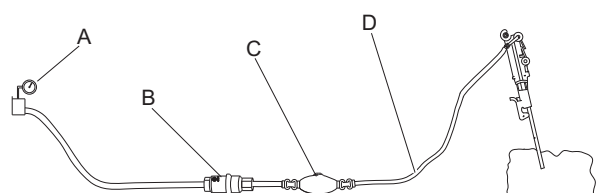
Kunststoffabdeckungen

Entfernen Sie vor dem ersten Einsatz des Bohrers alle Kunststoffabdeckungen an den Schlauchnippeln.

Schmieren

Füllen Sie nach dem Auspacken und der Installation des Werkzeugs reichlich Schmieröl in den Luftanschluss.

Schläuche und Anschlüsse



- A. Druckluftquelle
- B. Wasserabscheider (optional)
- C. Schmiervorrichtung (optional)
- D. Max. 10 feet (3 m) Druckluftschlauch zwischen Schmiervorrichtung und Maschine.

- ◆ Stellen Sie sicher, dass Sie den richtigen Luftdruck von 87 psig (6 bar (e)) eingestellt haben.
- ◆ Der für die Maschine zulässige maximale Luftdruck von 90 psig (6,2 bar (e)) darf nicht überschritten werden.
- ◆ Blasen Sie alle Verunreinigungen aus dem Druckluftschlauch aus, bevor Sie die Maschine anschließen.
- ◆ Wählen Sie für den Druckluftschlauch den richtigen Durchmesser und die passende Länge aus. Für Schlauchlängen bis 100 feet (30 m) sollte ein Innendurchmesser von mindestens $\frac{3}{4}$ in. (19 mm) verwendet werden. Für Schlauchlängen von 100 bis 330 feet (30 bis 100 m) sollte ein Innendurchmesser von mindestens 1 in. (25 mm) verwendet werden.

Methoden zur Vermeidung von Einfrieren

Bei Umgebungstemperaturen von 0 bis 10 °C (32 bis 50 °F) und hoher relativer Luftfeuchtigkeit kann sich im Schalldämpfer Eis bilden.

Die Maschine ist so konstruiert, dass eine Eisbildung im Schalldämpfer vermieden wird. Dennoch kann sich unter extremen Bedingungen im Schalldämpfer Eis bilden.

Eine weitere Verringerung des Risikos für Eisbildung wird durch folgende Maßnahmen erreicht:

- ◆ Verwenden Sie ein Bohrhämmeröl.
- ◆ Verwenden Sie einen Wasserabscheider.

Anschließen eines Wasserabscheiders

Der Schlauch zwischen Kompressor und Wasserabscheider muss so lang sein, dass der Wasserdampf abkühlt und kondensiert, bevor er den Wasserabscheider erreicht.

Wenn die Umgebungstemperatur unter 32 °F (0 °C) liegt, muss der Schlauch kurz genug sein, damit das Wasser im Schlauch nicht gefriert, bevor es den Wasserabscheider erreicht.

Schmierung

Das Schmiermittel ist wichtig für die Funktionsfähigkeit der Maschine und hat großen Einfluss auf deren nutzbare Lebensdauer. Um die richtige Menge an Schmiermittel zuzuführen, sollte eine Schmiervorrichtung an den Luftschlauch angeschlossen werden. Die Verwendung der

Druckluftleitungs-Schmiervorrichtung von Chicago Pneumatic wird empfohlen. Um eine gute Schmierung zu gewährleisten, sollte die Länge des Luftschlauchs zwischen Schmiervorrichtung und Druckluftwerkzeug 10 feet (3 m) nicht überschreiten.

Zu viel Schmiermittel kann Startprobleme, geringe Leistung oder ungleichmäßigen Lauf verursachen.

Empfohlenes Schmiermittel: Bohrhämmeröl mit einer Viskosität von 100-150 SUS bei 100 °F (ISO VG 22-32).

Bohrstahl

▲ **WARNUNG** Auswurf des Werkzeugs

Wenn die Werkzeugaufnahme nicht arretiert ist, kann das Werkzeug mit Gewalt ausgeworfen werden. Dies kann zu ernsthaften Verletzungen führen.

- ▶ Schalten Sie vor dem Wechseln des Werkzeugs immer die Druckluftversorgung aus und lassen Sie die Maschine durch Betätigen des Start- und Stoppschalters auslaufen.

Vor dem Einsetzen des Bohrstahls

Prüfen Sie, dass das Einsteckende des Werkzeugs die korrekte Größe und Länge für das verwendete Bohrfutter aufweist. Das Einsteckende muss sauber und das Werkzeug muss in einwandfreiem Zustand sein. Einsteckenden, die angeschlagen, abgerundet, nicht rechtwinklig oder zu hart auf der Schlagseite sind, arbeiten ineffizient und verursachen vorzeitige Kolbendefekte.

Kontrolle des Bohrstahls:

Ein stumpfer Bohrstahl reduziert die Bohrgeschwindigkeit und überlastet den Bohrmechanismus. Beim Wechseln des Bohrstahls sicherstellen, dass der neue die korrekte Größe hat, wenn Sie ein angefangenes Bohrloch weiterbearbeiten.

Stellen Sie vor dem Bohren sicher, dass das Spülloch des Bohrstahls nicht blockiert ist.

▲ **VORSICHT** Heißes Werkzeug

Die Spitze des Werkzeugs kann während des Betriebs sehr heiß und scharf werden. Das Berühren der Spitze kann zu Verbrennungen und Schnittverletzungen führen.

- ▶ Berühren Sie niemals ein heißes oder scharfes Werkzeug.
- ▶ Warten Sie mit eventuellen Wartungsarbeiten bis sich das Werkzeug abgekühlt hat.

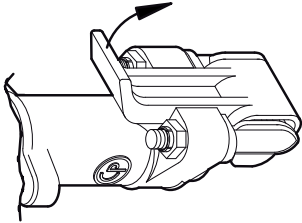
HINWEIS Kühlen Sie ein heißes Werkzeug niemals in Wasser ab. Dies könnte zur Versprödung des Werkzeugs und zu dessen vorzeitigem Ausfall führen.

Einsetzen des Bohrstahls

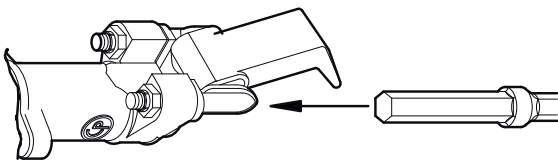
CP 0022 KL, CP 0032, CP 0069

Bei jedem Einsetzen des Bohrstahls müssen die folgenden Anweisungen beachtet werden:

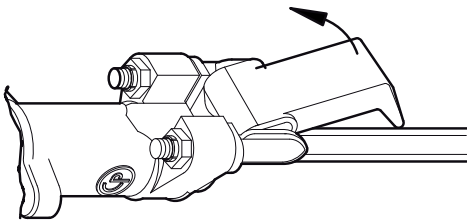
1. Drücken Sie die Aufnahme in Pfeilrichtung soweit nach innen, dass der vordere Teil der Aufnahme die Bohrstmanschette aufnehmen kann.



2. Setzen Sie den Bohrstahl in das Bohrfutter ein.



3. Wenn der Bohrer den Anschlag berührt, drücken Sie die Aufnahme zum Verriegeln zurück.

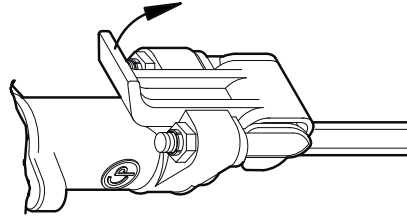


Entnehmen des Bohrstahls

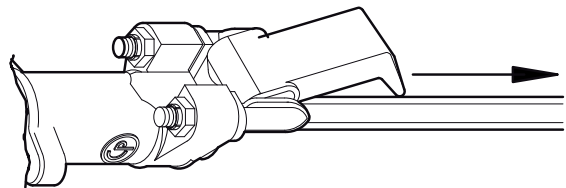
CP 0022 KL, CP 0032, CP 0069

Bei jedem Entnehmen des Bohrstahls müssen die folgenden Anweisungen beachtet werden:

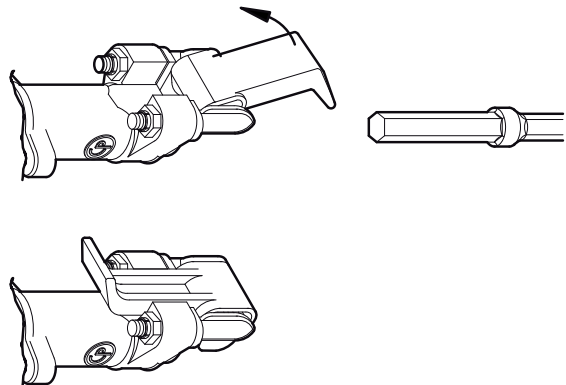
1. Drücken Sie die Aufnahme in Pfeilrichtung soweit nach innen, bis sich die Werkzeugmanschette vom vorderen Ende der Aufnahme löst.



2. Ziehen Sie den Bohrstahl heraus.



3. Drücken Sie die Aufnahme zurück.

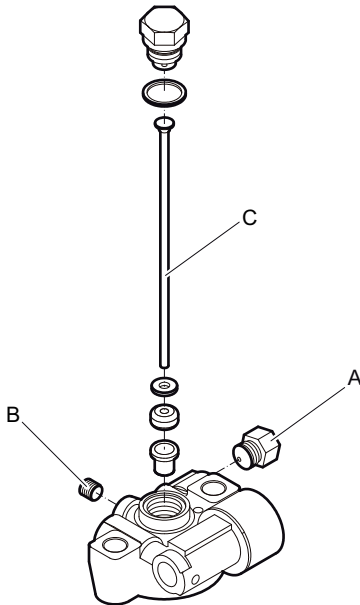


Nassbohren

Vor dem Umstellen auf Nassbohren

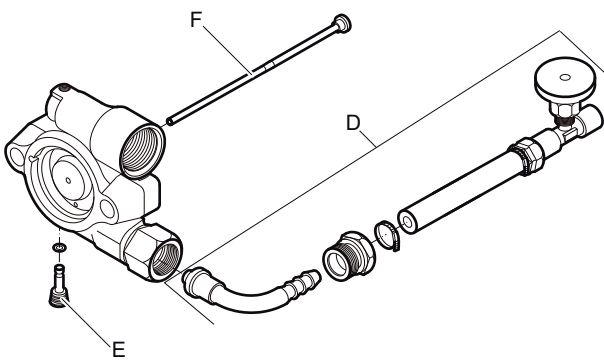
Schalten Sie vor dem Umstellen des Bohrhammers auf Nassbohren immer die Druckluftversorgung aus, und lassen Sie die Maschine durch Betätigen des Drosselhebels auslaufen. Trennen Sie anschließend den Druckluftschlauch von der Maschine.

Umstellen auf Nassbohren



Nur für CP 0032 und CP 0069

1. Schrauben Sie die Verschlusschraube (A) vom Wasseranschluss ab.
2. Schrauben Sie die Verschlusschraube (B) von der Kopfrückseite ab.
3. Entfernen Sie das Luftrohr (C) von der Kopfrückseite.



Nur für CP 0032 und CP 0069

1. Montieren Sie den Wasserspülsatz (D), und verbinden Sie ihn mit dem Wasseranschluss.
2. Schrauben Sie die Verschlusschraube (E) in die Kopfrückseite.
3. Stecken Sie das Wasserrohr (F) in die Kopfrückseite.

Betrieb

▲ **WARNUNG** Unbeabsichtigter Start

Unbeabsichtigtes Starten der Maschine kann zu Verletzungen führen.

- ▶ Halten Sie Ihre Hände so lange vom Start- und Stoppschalter fern, bis Sie zum Starten der Maschine bereit sind.
- ▶ Machen Sie sich damit vertraut, wie die Maschine im Notfall ausgeschaltet wird.
- ▶ Stoppen Sie die Maschine bei jeglicher Unterbrechung der Energieversorgung.

Vorbereitungen vor der Inbetriebnahme

Prüfen der Bohrausrüstung

- ◆ Stellen Sie sicher, dass die gesamte Bohrausrüstung in einwandfreiem Zustand ist.
- ◆ Prüfen Sie, ob die Arbeitsfläche des Bohrstahl-Einsteckendes glatt und frei von Verschleißspuren ist.
- ◆ Stellen Sie sicher, dass die Luftzufuhr und der Luftauslass frei von Fremdkörpern sind.
- ◆ Stellen Sie sicher, dass die Spülöffnungen im Bohrstahl und in der Bohrspitze nicht blockiert sind und dass Spülluft und -wasser ungehindert fließen können.
- ◆ Stellen Sie sicher, dass der Luftfilter (befindet sich im Luftnippel) nicht gerissen oder verdreht ist.
- ◆ Stellen Sie sicher, dass die Anschlüsse dicht sind.

▲ **GEFAHR** Ausschlagender Druckluftschlauch

Ein Druckluftschlauch, der sich gelöst hat, kann ausschlagen und lebensgefährliche Verletzungen verursachen.

- ▶ Stellen Sie sicher, dass Druckluftschlauch und Anschlüsse unbeschädigt sind.
- ▶ Stellen Sie sicher, dass sämtliche Druckluftanschlüsse korrekt befestigt sind.

Ausblasen des Luftschlauchs

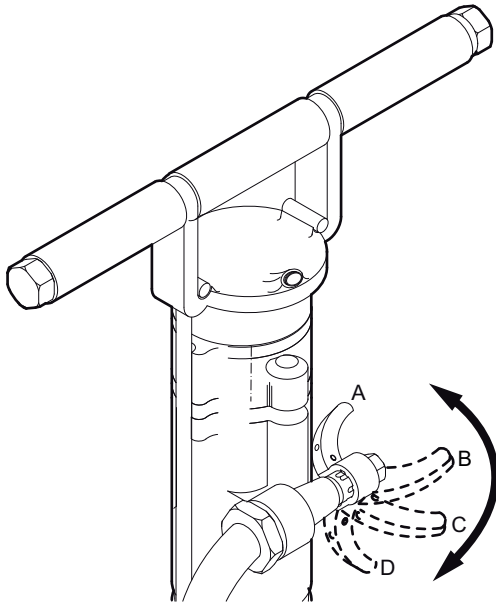
- ◆ Der Luftschlauch muss täglich vor dem Einsatz des Bohrhammers ausgeblasen werden, um von angesammelten Verunreinigungen und Feuchtigkeit befreit zu werden.

Schmiervorrichtung mit Öl füllen

- ◆ Stellen Sie sicher, dass das Spannfutter und der Bohrstahlschaft immer mit einem Ölfilm bedeckt sind.

Bedienelemente

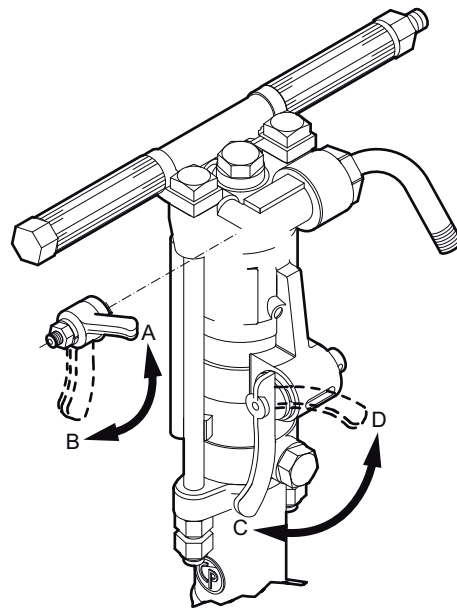
Drosselhebel



CP 0022 KL

Der Bohrerhammer ist zur Regulierung der Druckluft für den Schlagmechanismus mit einem Drosselhebel ausgerüstet.

- ◆ Drosselventil geschlossen (Stopp-Position) (A).
- ◆ Nur zum Ausblasen (B).
- ◆ Drosselhebel halb geöffnet (C).
- ◆ Drosselhebel vollständig geöffnet (D).



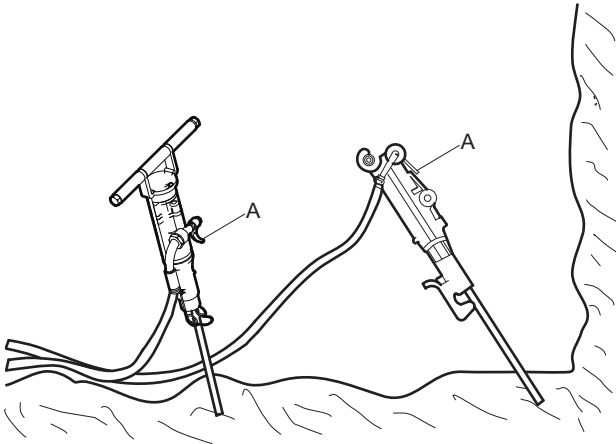
CP 0032 und CP 0069

Der Bohrerhammer ist zur Regulierung der Druckluft für den Schlagmechanismus mit einem Drosselhebel und mit einem Hebel für zusätzliches Ausblasen ausgerüstet.

- ◆ Drosselventil geschlossen (Stopp-Position) (A).
Nur zum Ausblasen.
- ◆ Drosselhebel vollständig geöffnet (B).
- ◆ Gebläseventil geschlossen (Stopp-Position) (C).
- ◆ Gebläseventil vollständig geöffnet (D).

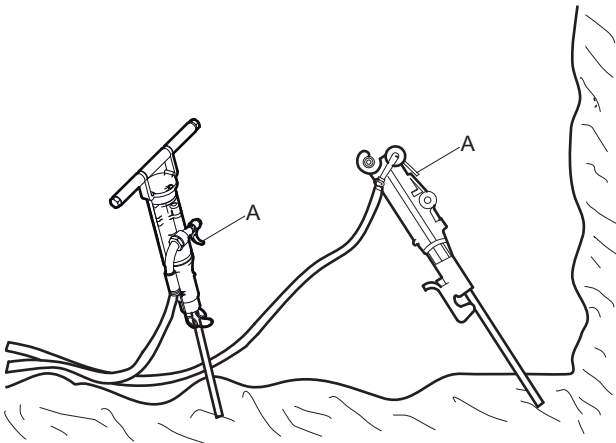
Start und Stopp

Starten des Bohrhammers



1. Öffnen Sie das Hauptventil für die Druckluft.
2. Halten Sie den Bohrhammer so, dass der Bohrstahl den gewünschten Ansatzpunkt berührt.
3. Schieben Sie den Drosselhebel (A) etwas nach vorn – Schlagmechanismus und Rotation setzen ein.
4. Beginnen Sie die Bohrung mit verringerter Vorschubkraft.
5. Schieben Sie den Drosselhebel (A) ganz nach vorn, wenn der Bohrstahl ausreichend Führung im Gestein erlangt hat.

Anhalten des Bohrhammers



1. Schieben Sie den Drosselhebel (A) zurück – Schlagmechanismus und Rotation halten an.

Betrieb

Bohren

- ◆ Tragen Sie stets Sicherheitsschuhe, Handschuhe, einen Helm, Gehörschutz und eine Schutzbrille mit seitlicher Abschirmung der Augen.
- ◆ Stehen Sie sicher und halten Sie die Maschine immer mit beiden Händen fest.
- ◆ Drücken Sie das Einsteckwerkzeug vor dem Start der Maschine auf die Oberfläche des zu bearbeitenden Objekts.

Einlegen von Pausen

- ◆ Bringen Sie die Maschine während jeder Pause außer Reichweite, so dass ein unbeabsichtigtes Starten der Maschine ausgeschlossen ist. Stellen Sie die Maschine stets so auf dem Boden ab, dass sie nicht umfallen kann.
- ◆ Bei längeren Pausen oder beim Verlassen des Arbeitsplatzes: Schalten Sie die Energieversorgung aus, und lassen Sie die Maschine durch Betätigen des Start- und Stoppschalters auslaufen.

Wartung

Eine regelmäßige Wartung ist die Grundvoraussetzung für den Erhalt der Sicherheit und Effektivität der Maschine. Halten Sie sich bitte genau an die Wartungsanweisungen.

- ◆ Säubern Sie die Maschine vor dem Start, um gefährliche Substanzen fernzuhalten. Siehe „Gefahren durch Abgase und Staub“
- ◆ Verwenden Sie ausschließlich Originalbauteile. Schäden oder Fehlfunktionen, die durch den Einsatz unzulässiger Bauteile entstehen, werden nicht durch Garantie oder Produkthaftung abgedeckt.
- ◆ Stellen Sie beim Reinigen mechanischer Teile mit Lösungsmittel sicher, dass die geltenden Gesundheits- und Sicherheitsvorschriften eingehalten werden und für ausreichende Lüftung gesorgt ist.
- ◆ Für eine Hauptdurchsicht der Maschine wenden Sie sich an Ihre nächste Vertragswerkstatt.
- ◆ Prüfen Sie nach jeder Wartung, ob die Vibrationsstärke der Maschine normal ist. Ist dies nicht der Fall, wenden Sie sich an Ihre nächste Vertragswerkstatt.

Täglich

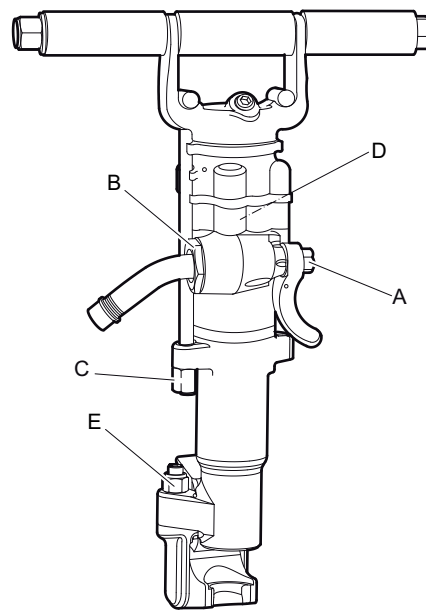
Schalten Sie bei pneumatischen Maschinen vor jeder Wartung oder jedem Wechsel des Werkzeugs stets die Luftversorgung aus und entlüften Sie die Maschine durch Betätigen des Start- und Stoppschalters. Trennen Sie anschließend den Luftschlauch von der Maschine.

- ◆ Säubern und prüfen Sie die Maschine auf ihre Funktionsfähigkeit täglich vor Arbeitsbeginn.
- ◆ Führen Sie eine allgemeine Prüfung auf Undichtigkeiten und Beschädigungen durch.
- ◆ Stellen Sie sicher, dass der Einlassnippel festgezogen und die Klauenkupplung nicht beschädigt ist.
- ◆ Prüfen Sie die Funktion des Drosselhebels. Stellen Sie sicher, dass dieser sich frei nach oben und unten bewegen lässt.
- ◆ Prüfen Sie die Funktion der Aufnahme. Stellen Sie sicher, dass der Bohrsteel in der Aufnahme arretiert ist.
- ◆ Wechseln Sie beschädigte Bauteile sofort aus.
- ◆ Ersetzen Sie verschlissene Komponenten rechtzeitig.
- ◆ Prüfen Sie die durchgehenden Bolzen der Maschine, und stellen Sie sicher, dass diese fest angezogen sind.
- ◆ Prüfen Sie den Schalldämpfer der Maschine (sofern vorhanden).

Regelmäßige Wartung

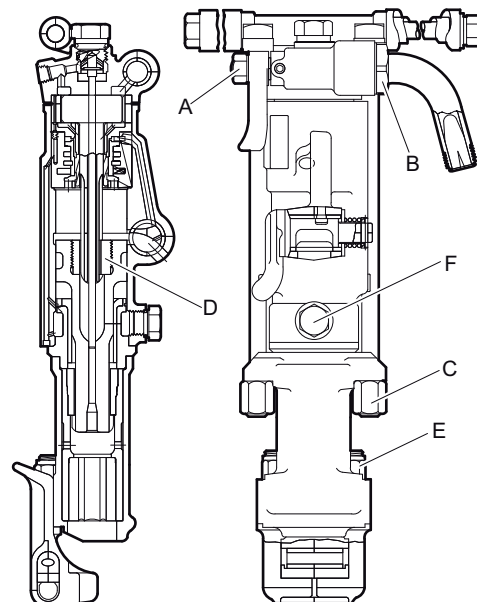
Nach etwa 100 Betriebsstunden oder dreimal pro Jahr muss die Maschine zerlegt und alle Teile gereinigt und geprüft werden. Diese Arbeit muss von speziell hierfür geschultem Personal durchgeführt werden.

Anziehdrehmoment



CP 0022 KL

- A. Mutter, 70-80 ft.lbf (95-108 Nm)
- B. Lufteinlassnippel, 110-120 ft.lbf (149-163 Nm)
- C. Mutter für Durchgangsbolzen, 90-100 ft.lbf (122-136 Nm)
- D. Spannmutter, 200-225 ft.lbf (271-305 Nm)
- E. Mutter, 100-110 ft.lbf (136-149 Nm)



CP 0032, CP 0069

- A. Mutter, 35-40 ft.lbf (47-54 Nm)
- B. Lufteinlassnippel, 125-150 ft.lbf (169-203 Nm)
- C. Mutter für Durchgangsbolzen, 110-120 ft.lbf (149-163 Nm)

- D. Spannmutter, 200-225 ft.lbf (271-305 Nm)
- E. Mutter, 100-110 ft.lbf (136-149 Nm)
- F. Ölstopfen, 90-100 ft.lbf (122-136 Nm)

Schadensmuster

Verschlossene oder gebrochene Bauteile sollten vor dem Auswechseln stets genau untersucht werden. Sie können wichtige Hinweise über den Zustand des Bohrhammers und die Art und Weise seiner Benutzung und Wartung geben.

Problem	Ursache
Stahlteile sind bläulich verfärbt	Die Teile sind extrem heiß geworden. Dies kann an unzureichender Schmierung oder zu wenig Leerlauf liegen
Stahlteile weisen kleine, fast mikroskopische Risse an der Verschleißoberfläche auf	Siehe oben
unregelmäßige Vertiefungen auf Bronzeoberflächen	Siehe oben
Schnittspuren	Sekundärer Schaden Verunreinigungen im Bohrer
	Fluchtungsfehler aufgrund ungleichmäßig angezogener Seitenbolzen

Lagerung

- > Ölen Sie den Bohrhammer vor dem Einlagern immer gut ein.
- > Lagern Sie die Maschine immer an einem sauberen und trockenen Ort.
- > Stellen Sie sicher, dass keine Fremdkörper in die Maschine gelangen.
- > Verwenden Sie zum Schutz des Bohrfutters die mit der Maschine gelieferte Kunststoffabdeckung. Alternativ eignet sich auch ein passendes Stück Holz oder ein sauberer Baumwollappen.
- > Füllen Sie bei längerer Lagerung etwas Öl direkt in die Luftzufuhr des Bohrhammers ein und schalten Sie kurz die Druckluft ein. Dadurch ist die Maschine vor Rost geschützt.

Entsorgung

Eine verschlossene Maschine muss so entsorgt werden, dass so viel Material wie möglich wiederverwendet werden kann und die Umwelt in Übereinstimmung mit den örtlichen Regelungen so wenig wie möglich belastet wird.

Technische Daten

Maschinendaten

Modell	Artikel nummer	Kolbenbohrung in. (mm)	Kolbenhub in. (mm)	Gesamtlänge in. (mm)	Gewicht lb (kg)	Schaftgröße in. (mm)
CP 0022 KL $\frac{7}{8}$ " x $3\frac{1}{4}$ "	8900 0020 01	$2\frac{3}{8}$ (60)	$1\frac{1}{4}$ (44)	$18\frac{3}{4}$ (475)	32 (14,7)	$\frac{7}{8}$ x $3\frac{1}{4}$ (22 x 82,5)
CP 0022 KL $\frac{7}{8}$ " x $4\frac{1}{4}$ "	8900 0020 02	$2\frac{3}{8}$ (60)	$1\frac{1}{4}$ (44)	$19\frac{5}{8}$ (500)	33 (14,9)	$\frac{7}{8}$ x $4\frac{1}{4}$ (22 x 108)
CP 0032 A $\frac{7}{8}$ " x $3\frac{1}{4}$ "	T022318	$2\frac{5}{8}$ (67)	2 (51)	22 (559)	54 (24,5)	$\frac{7}{8}$ x $3\frac{1}{4}$ (22 x 82,5)
CP 0032 A $\frac{7}{8}$ " x $4\frac{1}{4}$ "	T022117	$2\frac{5}{8}$ (67)	2 (51)	23 (584)	54 (24,5)	$\frac{7}{8}$ x $4\frac{1}{4}$ (22 x 108)
CP 0032 AS $\frac{7}{8}$ " x $4\frac{1}{4}$ "	T025431	$2\frac{5}{8}$ (67)	2 (51)	23 (584)	54 (24,5)	$\frac{7}{8}$ x $4\frac{1}{4}$ (22 x 108)
CP 0032 A 1" x $4\frac{1}{4}$ "	T022319	$2\frac{5}{8}$ (67)	2 (51)	23 (584)	54 (24,5)	1 x $4\frac{1}{4}$ (25 x 108)
CP 0069 $\frac{7}{8}$ " x $4\frac{1}{4}$ "	T006661	$2\frac{3}{4}$ (70)	$2\frac{5}{8}$ (67)	$24\frac{1}{2}$ (622)	64 (29,1)	$\frac{7}{8}$ x $4\frac{1}{4}$ (22 x 108)
CP 0069 1" x $4\frac{1}{4}$ "	T022259	$2\frac{3}{4}$ (70)	$2\frac{5}{8}$ (67)	$24\frac{1}{2}$ (622)	64 (29,1)	1 x $4\frac{1}{4}$ (25 x 108)
CP 0069 WET $\frac{7}{8}$ " x $4\frac{1}{4}$ "	T025423	$2\frac{3}{4}$ (70)	$2\frac{5}{8}$ (67)	$24\frac{1}{2}$ (622)	64 (29,1)	$\frac{7}{8}$ x $4\frac{1}{4}$ (22 x 108)

Modell	Luftdurchsatz (6 bar) foot ³ /min (l/s)	Schlagfrequenz (6 bar) Hz	Bohrlochdurchmesser in. (mm)
CP 0022 KL $\frac{7}{8}$ " x $3\frac{1}{4}$ "	56 (22)	37	$\leq 1\frac{1}{2}$ (≤ 38)
CP 0022 KL $\frac{7}{8}$ " x $4\frac{1}{4}$ "	56 (22)	37	$\leq 1\frac{1}{2}$ (≤ 38)
CP 0032 A $\frac{7}{8}$ " x $3\frac{1}{4}$ "	103 (48)	37	≤ 2 (≤ 50)
CP 0032 A $\frac{7}{8}$ " x $4\frac{1}{4}$ "	103 (48)	37	≤ 2 (≤ 50)
CP 0032 AS $\frac{7}{8}$ " x $4\frac{1}{4}$ "	103 (48)	37	≤ 2 (≤ 50)
CP 0032 A 1" x $4\frac{1}{4}$ "	103 (48)	37	≤ 2 (≤ 50)
CP 0069 $\frac{7}{8}$ " x $4\frac{1}{4}$ "	130 (61)	32	$\leq 2\frac{1}{2}$ ($\leq 62,5$)
CP 0069 1" x $4\frac{1}{4}$ "	130 (61)	32	$\leq 2\frac{1}{2}$ ($\leq 62,5$)
CP 0069 WET $\frac{7}{8}$ " x $4\frac{1}{4}$ "	130 (61)	32	$\leq 2\frac{1}{2}$ ($\leq 62,5$)

Angaben zu Geräuschemission und Vibration

Garantierter Schallleistungspegel **L_w** gemäß EN ISO 3744 in Übereinstimmung mit der Richtlinie 2000/14/EG. Schalldruckpegel **L_p** gemäß EN ISO 11203.

Vibrationswert **A** und Unsicherheit **B**, ermittelt gemäß EN ISO 20643. Die Werte A, B usw. sind in der Tabelle „Angaben zu Geräuschemission und Vibration“ enthalten.

Die angegebenen Werte wurden durch Bauartprüfung im Labor entsprechend den angegebenen Richtlinien bzw. Normen ermittelt und eignen sich nur für den Vergleich mit den angegebenen Werten anderer Werkzeuge, die entsprechend den gleichen Richtlinien bzw. Normen ermittelt wurden. Die angegebenen Werte eignen sich nicht zur Verwendung in Risikoanalysen, denn die in individuellen Arbeitsumgebungen gemessenen Werte können höher sein. Die tatsächliche Belastung und das Verletzungsrisiko für den einzelnen Anwender hängen jeweils von der Arbeitsweise des Anwenders, vom bearbeiteten Material, von der Belastungsdauer, von der physischen Kondition des Anwenders und vom Zustand der Maschine ab.

Atlas Copco Construction Tools AB haftet nicht für Folgen, falls die genannten Werte anstelle der Werte verwendet werden, die der tatsächlichen Belastung entsprechen, hervorgehend aus einer individuellen Risikoanalyse in einer Arbeitsplatzsituation, die wir nicht beeinflussen können.

Diese Maschine kann das Hand-Arm Vibrationssyndrom auslösen, wenn sie nicht angemessen bedient wird. Eine EU-Richtlinie zum Umgang mit Hand-Arm-Vibrationen ist über <http://www.humanvibration.com/humanvibration/EU/VIBGUIDE.html> abrufbar.

Wir empfehlen ein Gesundheitsüberwachungsprogramm zur Erkennung auch erster Symptome, die möglicherweise auf eine Vibrationsbelastung zurückzuführen sind, so dass betriebliche Maßnahmen zur Vorbeugung jeglicher Beeinträchtigungen ergriffen werden können.

Angaben zu Geräuschemission und Vibration

Modell	Geräuschemission		Vibration	
	Angegebene Werte		Angegebene Werte	
	Schalldruck	Schalleistung	Dreiaachsenwerte	
	EN ISO 11203	2000/14/EG	EN ISO 20643	
	Lp r=1m dB(A) bei 20 µPa	Lw garantiert dB(A) bei 1 pW	A m/s ² Wert	B m/s ² Verteilung
CP 0022 KL 7/8" x 3 1/4"	106	116	25,7	3,0
CP 0022 KL 7/8" x 4 1/4"	106	116	25,7	3,0
CP 0032 A 7/8" x 3 1/4"	111	122	21,9	2,7
CP 0032 A 7/8" x 4 1/4"	111	122	21,9	2,7
CP 0032 AS 7/8" x 4 1/4"	103	114	21,9	2,7
CP 0032 A 1" x 4 1/4"	111	122	21,9	2,7
CP 0069 7/8" x 4 1/4"	113	124	29,0	3,4
CP 0069 1" x 4 1/4"	113	124	29,0	3,4
CP 0069 WET 7/8" x 4 1/4"	113	124	29,0	3,4

Zubehör

Beschreibung	Anmerkung	Anzahl	Teilenummer
Schmiervorrichtung 43, US-Version (NPT)	Sowohl für Mineralöl als auch für synthetisches Öl	1	8900 0050 07
Schmiervorrichtung 1300, europäische Version (BSP)	Sowohl für Mineralöl als auch für synthetisches Öl	1	8900 0050 02
Wasserabscheider, US-Version (NPT)	Luftstrom <130 ft ³ /min (60 l/s)	1	8900 0050 01
Wasserabscheider, europäische Version (BSP)	Luftstrom <130 ft ³ /min (60 l/s)	1	8900 0050 00
RED-X-Druckluftschlauch, 60 m	20 mm (3/4")	1	8900 0050 10

EG-Konformitätserklärung

EG-Konformitätserklärung (EG-Richtlinie 2006/42/EG)

Wir, die Atlas Copco Construction Tools AB, erklären hiermit, dass die nachfolgend aufgelisteten Maschinen die Bestimmungen der EG-Richtlinien 2006/42/EG (Maschinenrichtlinie) sowie die nachfolgend genannten harmonisierten Normen erfüllen.

Bohrhämmer	Teilenummer	Pmax [bar]
CP 0022 KL 7/8" x 3 1/4"	8900 0020 01	6.2
CP 0022 KL 7/8" x 4 1/4"	8900 0020 02	6.2
CP 0032 A 7/8" x 3 1/4"	T022318	6.2
CP 0032 A 7/8" x 4 1/4"	T022117	6.2
CP 0032 AS 7/8" x 4 1/4"	T025431	6.2
CP 0032 A 1" x 4 1/4"	T022319	6.2
CP 0069 7/8" x 4 1/4"	T006661	6.2
CP 0069 1" x 4 1/4"	T022259	6.2
CP 0069 WET 7/8" x 4 1/4"	T025423	6.2

Folgende harmonisierte Normen wurden angewandt:

EN ISO 11148-5

Bevollmächtigter für die technische Dokumentation:

Per Forsberg

Atlas Copco Construction Tools AB

Dragonvägen 2

Kalmar

Vizepräsident – Design und Entwicklung:

Erik Sigfridsson

Hersteller:

Atlas Copco Construction Tools AB

105 23 Stockholm

Sweden

Ort und Datum:

Kalmar, 2012-06-30

ESPAÑOL

Contenido

Introducción 67

Acerca de las instrucciones de seguridad y de funcionamiento 67

Instrucciones de seguridad 68

- Terminología de las señales de seguridad 68
- Precauciones y cualificaciones del personal 68
- Instalación, precauciones 68
- Funcionamiento, precauciones 69
- Mantenimiento, precauciones 74
- Almacenaje, precauciones 74

Visión general 75

- Diseño y funcionamiento 75
- Piezas principales 75
- Etiquetas 76

Montaje 76

- Desempaquetado de la perforadora 76
- Mangueras y conexiones 76
- Métodos para evitar la congelación 77
- Conexión de un separador de agua 77
- Lubricación 77
- Barrena de perforación 77
- Perforación húmeda 79

Funcionamiento 80

- Preparaciones antes de la puesta en marcha 80
- Controles 80
- Puesta en marcha y parada 81
- En funcionamiento 82
- En los descansos 82

Mantenimiento 82

- A diario 82
- Mantenimiento periódico 82
- Par de apriete 83
- Patrones de daños 83

Almacenaje 83

Desechar 84

Especificaciones técnicas 85

- Datos de la máquina 85
- Declaración de ruido y vibraciones 85
- Datos de ruido y vibraciones 86
- Accesorios 86

Declaración CE de conformidad 88

- Declaración CE de conformidad (Directiva 2006/42/CE) 88

Introducción

Gracias por elegir productos de la marca Chicago Pneumatic. Durante más de un siglo, la marca Chicago Pneumatic ha sido la representación del rendimiento y la innovación en la industria de las herramientas neumáticas.

Actualmente se encuentra en todo el mundo con una amplia gama de herramientas neumáticas e hidráulicas, como por ejemplo martillos, perforadoras, cinceladores, excavadoras de tierra, picos, remachadoras, desbastadoras, bombas y muchas otras herramientas.

La marca Chicago Pneumatic se relaciona con productos potentes y fiables, fáciles de mantener y con una buena relación calidad-precio.

Para obtener más información, visite www.cp.com

Atlas Copco Construction Tools AB
105 23 Stockholm
Sweden

Acerca de las instrucciones de seguridad y de funcionamiento

El objetivo de estas instrucciones es proporcionarle los conocimientos necesarios para usar la perforadora de roca de manera eficiente y segura. Asimismo, las instrucciones le aconsejan sobre el modo de realizar el mantenimiento regular de la perforadora.

Antes de utilizarla por primera vez debe leer estas instrucciones con atención y entenderlas en su totalidad.

Instrucciones de seguridad

Para reducir el riesgo de que usted u otras personas padezcan lesiones graves o la muerte, lea las Instrucciones de seguridad y funcionamiento antes de instalar, usar, reparar o cambiar la máquina o de realizar su mantenimiento.

Exponga estas instrucciones de seguridad y funcionamiento en las zonas de trabajo, proporcione copias a los empleados y asegúrese de que todos las lean antes de utilizar o reparar la máquina.

Además, el operario o su empleador deberá evaluar los riesgos específicos que pueden surgir como resultado del uso de la máquina.

Terminología de las señales de seguridad

Los términos de seguridad Peligro, Atención y Cuidado tienen los siguientes significados:

PELIGRO	Indica una situación de peligro que, si no se evita, ocasionará la muerte o lesiones graves.
ADVERTENCIA	Indica una situación de peligro que, si no se evita, podría ocasionar la muerte o lesiones graves.
ATENCIÓN	Indica una situación de peligro que, si no se evita, podría ocasionar lesiones menores o moderadas.

Precauciones y cualificaciones del personal

Sólo personas cualificadas y debidamente formadas pueden utilizar u ocuparse del mantenimiento de la máquina. Deben poder manejar físicamente el volumen, el peso y la potencia de la herramienta. Utilice siempre su sentido común y buen juicio.

Equipo de protección personal

Utilice siempre equipo de protección autorizado. Los operarios y el resto del personal del área de trabajo deben llevar, como mínimo, el siguiente equipo de protección:

- > Casco de protección
- > Protección auditiva
- > Protección ocular resistente a los impactos con protección lateral
- > Protección respiratoria, cuando sea necesario
- > Guantes protectores

- > Botas protectoras adecuadas
- > Una bata de trabajo adecuada o prenda similar (no holgada) que cubra los brazos y las piernas.

Drogas, alcohol y medicación

▲ ADVERTENCIA Drogas, alcohol y medicación

Las drogas, el alcohol y la medicación pueden alterar la capacidad de juicio y el poder de concentración. Las malas reacciones y las valoraciones incorrectas pueden provocar accidentes graves o la muerte.

- ▶ Nunca utilice la máquina cuando esté cansado o bajo los efectos de drogas, alcohol o medicinas.
- ▶ Nadie que esté bajo los efectos de drogas, alcohol o medicinas podrá manejar la máquina.

Instalación, precauciones

▲ PELIGRO Manguera de aire suelta

Una manguera de aire comprimido suelta puede asestar latigazos y ocasionar lesiones o incluso la muerte. Para reducir este riesgo:

- ▶ Compruebe que la manguera de aire comprimido y las conexiones no estén dañadas y sustitúyalas si es necesario.
- ▶ Compruebe que todas las conexiones de aire comprimido estén debidamente conectadas.
- ▶ No arrastre nunca una máquina neumática por la manguera del aire.
- ▶ No intente nunca desconectar una manguera de aire comprimido que esté presurizada. En primer lugar, apague el suministro de aire comprimido del compresor y, a continuación, purgue la máquina activando el dispositivo de puesta en marcha y parada.
- ▶ No utilice acoplamiento rápidos de desconexión en la entrada de la herramienta. Utilice fijaciones roscadas de la manguera de acero endurecido (o de otro material con una resistencia de choque similar).
- ▶ Siempre que se utilicen acoplamiento universales roscados (acoplamiento de garras), recomendamos que se coloquen pasadores de seguridad y se utilicen cables con válvula de seguridad para proteger la manguera ante posibles fallos de conexión de la manguera a la herramienta y entre mangueras.

▲ **ADVERTENCIA** **Herramienta de inserción retirada**

Si el retén de la herramienta de la máquina no está en una posición bloqueada, la herramienta insertada se podría retirar de forma forzosa, lo que podría causar lesiones personales.

- ▶ Nunca arranque la máquina mientras cambia la herramienta de inserción.
- ▶ Antes de cambiar la herramienta de inserción o los accesorios, pare la máquina, desconecte la alimentación y purgue la máquina activando el dispositivo de puesta en marcha y parada.
- ▶ Nunca dirija la herramienta insertada hacia usted ni hacia otras personas.
- ▶ Asegúrese de que la herramienta de inserción esté insertada completamente y que el retén de la herramienta esté en una posición bloqueada antes de arrancar la máquina.
- ▶ Compruebe la función de bloqueo tirando de la herramienta insertada hacia fuera con fuerza.

▲ **ADVERTENCIA** **Movimiento o deslizamiento de la herramienta de inserción**

Unas dimensiones incorrectas del vástago de la herramienta insertada pueden dar lugar a que ésta se pierda o resbale durante su uso. Riesgo de lesiones graves o de aplastamiento de manos y dedos.

- ▶ Compruebe que el vástago de la herramienta de inserción tenga la longitud y las dimensiones adecuadas para la máquina.
- ▶ Nunca utilice una herramienta de inserción sin un anillo.

Funcionamiento, precauciones

▲ **PELIGRO** **Peligro de explosión**

Si una herramienta de inserción caliente entra en contacto con explosivos, se podría producir una explosión. Al trabajar con ciertos materiales y al utilizar determinados materiales en las piezas de la máquina, se pueden producir chispas y fuego. Las explosiones producirán lesiones graves o la muerte.

- ▶ Nunca utilice la máquina en un entorno explosivo.
- ▶ Nunca utilice la máquina cerca de materiales inflamables, humos o polvo.
- ▶ Asegúrese de que no haya fuentes de gas ni explosivos no detectados.
- ▶ Nunca perforo un barreno antiguo.

▲ **ADVERTENCIA** **Movimientos inesperados**

La herramienta insertada está expuesta a fuertes tensiones cuando se utiliza la máquina. Además puede romperse por fatiga después de un cierto volumen de uso. Si la herramienta insertada se rompe o se atasca, es posible que haya movimientos repentinos e inesperados que pueden producir lesiones. Por lo tanto, si el usuario pierde el equilibrio o se resbala, podría sufrir lesiones.

- ▶ Asegúrese de estar siempre en una posición estable con los pies separados a la misma distancia que la anchura de los hombros, y con el peso del cuerpo equilibrado.
- ▶ Inspeccione siempre el equipo antes de usarlo. No utilice el equipo si cree que puede estar dañado.
- ▶ Compruebe que las empuñaduras estén limpias y que no tengan grasa ni aceite.
- ▶ Mantenga los pies lejos de la herramienta insertada.
- ▶ Manténgase firmemente de pie y agarre siempre la máquina con ambas manos.
- ▶ Nunca perforo un barreno antiguo.
- ▶ Nunca arranque la máquina cuando esté en el suelo.
- ▶ Nunca “pise” en la máquina con un pie sobre la empuñadura.
- ▶ No golpee nunca ni maltrate el equipo.
- ▶ Compruebe regularmente el desgaste de la herramienta de inserción y compruebe si hay signos de daños o grietas visibles.
- ▶ Preste atención y fíjese en lo que está haciendo.

▲ **ADVERTENCIA** **Peligro de calado**

Si la herramienta de inserción se atasca durante el funcionamiento, toda la máquina empezará a girar si deja de sujetarla. Este giro inesperado de toda la máquina podría provocar lesiones graves o la muerte.

- ▶ Manténgase de pie firmemente y agarre siempre la máquina con ambas manos.
- ▶ Compruebe que la empuñadura o las empuñaduras estén limpias y no estén sucias de grasa o aceite.
- ▶ Nunca perforo un barreno antiguo.

▲ ADVERTENCIA Peligro de atrapamiento

Existe el riesgo de que algún adorno del cuello, pelo, guantes o prenda de ropa se vea arrastrado o atrapado por la herramienta de inserción giratoria o sus accesorios. Esto puede provocar el estrangulamiento, arrancamiento del cuero cabelludo, desgarros o incluso la muerte. Para reducir el riesgo:

- ▶ Nunca agarre ni toque una barrena de perforación que esté girando.
- ▶ Evite llevar prendas, adornos del cuello o guantes que puedan quedar atrapados.
- ▶ Si tiene el pelo largo, cúbralo con una red.

▲ ADVERTENCIA Riesgos relacionados con el polvo y el humo

El polvo y los humos que se generan o dispersan al usar la máquina pueden causar dolencias o enfermedades respiratorias graves y permanentes u otras lesiones corporales (por ejemplo, silicosis y otras enfermedades pulmonares irreversibles que pueden resultar mortales, cáncer, malformaciones congénitas e inflamación de la piel).

El polvo y los humos generados por la perforación, la rotura, el martilleo, el aserrado, el esmerilado y otras actividades de construcción pueden contener sustancias consideradas por el Estado de California y otras autoridades como causantes de enfermedades respiratorias, cáncer, malformaciones congénitas y otros daños reproductivos. Algunos ejemplos de estas sustancias son:

- > Sílice cristalino, cemento y otros productos de albañilería.
- > Arsénico y cromo procedente del caucho tratado con sustancias químicas.
- > Plomo procedente de pinturas al plomo.

El polvo y los humos del aire pueden ser invisibles a simple vista, así que no confíe en su buena vista para determinar si hay polvo o humos en el aire.

Para reducir el riesgo de exposición al polvo y a los humos, haga todo lo siguiente:

- ▶ Lleve a cabo una evaluación del riesgo específica del emplazamiento. La evaluación del riesgo debe incluir el polvo y los humos generados por el uso de la máquina y la posibilidad de alterar el polvo existente.
- ▶ Utilice controles de ingeniería adecuados para minimizar la cantidad de polvo y humos presentes en el aire y para minimizar la acumulación de polvo sobre el equipo, las superficies, la ropa y las partes del cuerpo. Algunos ejemplos de controles son: sistemas de ventilación y captación de polvo, rociadores de agua y perforaciones con inyección de agua. Controle el polvo y los humos en el origen cuando sea posible. Asegúrese de que los controles se instalen, conserven y utilicen adecuadamente.
- ▶ Lleve, conserve y utilice correctamente la protección respiratoria según indican las instrucciones del empleador y según los requisitos de las normativas de salud y seguridad en el trabajo. La protección respiratoria debe ser eficaz para el tipo de sustancia concreta (y, si procede, aprobada por la autoridad gubernamental correspondiente).
- ▶ Trabaje en una zona bien ventilada.
- ▶ Si la máquina tiene tubo de escape, diríjalo convenientemente de forma que se mueva el menor polvo posible donde éste sea abundante.

- ▶ Maneje y conserve la máquina según lo recomendado en las instrucciones de funcionamiento y seguridad.
- ▶ Seleccione, conserve y sustituya los consumibles, la herramienta de inserción y demás accesorios según lo recomendado en las instrucciones de funcionamiento y seguridad. La selección incorrecta o la falta de mantenimiento de los consumibles, de la herramienta insertada y demás accesorios puede causar un aumento innecesario del polvo o de los humos.
- ▶ Lleve prendas protectoras lavables o desechables en el lugar de trabajo; dúchese y póngase ropa limpia antes de salir del lugar de trabajo para reducir su exposición al polvo y a los humos y la de otras personas, coches, casas y otras zonas.
- ▶ Nunca coma, beba ni fume en zonas donde haya polvo o humos.
- ▶ Lávese las manos y la cara a fondo lo antes posible cuando salga de la zona de exposición, y siempre antes de comer, beber, usar productos relacionados con el tabaco o tener contacto con otras personas.
- ▶ Cumpla todas las leyes y normativas aplicables, incluidas las normativas de salud y seguridad en el trabajo.
- ▶ Participe en los programas de control del aire y en los exámenes médicos y en los programas de formación de salud y seguridad proporcionados por su empleador o por las organizaciones sindicales y conformes con las normativas y recomendaciones de salud y seguridad en el trabajo. Consulte con médicos que tengan experiencia en medicina del trabajo.
- ▶ Colabore con su empleador y con la organización sindical para reducir la exposición al polvo y a los humos en las obras y para reducir los riesgos. Se deben crear y poner en práctica programas, políticas y procedimientos eficaces de salud y seguridad, para proteger a los trabajadores y a las demás personas contra la exposición nociva al polvo y a los humos, a partir del asesoramiento de expertos de salud y seguridad. Consulte con los expertos.
- ▶ Los residuos de sustancias peligrosas de la máquina pueden constituir un riesgo. Antes de hacer el mantenimiento de la máquina, límpiela a fondo.

▲ **ADVERTENCIA** **Proyectiles**

Un fallo de la pieza de trabajo, de los accesorios o incluso de la propia máquina puede generar proyectiles a alta velocidad. Durante el funcionamiento, las astillas y otras partículas del material de trabajo pueden actuar como proyectiles y causar daños corporales al golpear al operario o a otras personas. Para reducir estos riesgos:

- ▶ Utilice un equipo de protección personal aprobado y un casco de seguridad, incluida la protección ocular contra impactos con protección lateral.
- ▶ Asegúrese de que las personas no autorizadas no entren en la zona de trabajo.
- ▶ Mantenga el lugar de trabajo libre de objetos extraños.
- ▶ Asegúrese de que la pieza de trabajo esté bien sujeta.

▲ **ADVERTENCIA** **Riesgos relacionados con las astillas**

El uso de la herramienta de inserción como herramienta manual de percusión puede hacer que salten astillas al operario y le provoquen lesiones personales.

- ▶ Nunca utilice una herramienta de inserción como herramienta manual de percusión. Está diseñada y tratada térmicamente para su uso específico en una máquina.

▲ **ADVERTENCIA** **Peligros de deslizamiento, desconexión y caída**

Hay riesgo de deslizamiento, desconexión o caída, por ejemplo desconexión de las mangueras u otros objetos. El deslizamiento, la desconexión y la caída pueden provocar lesiones. Para reducir este riesgo:

- ▶ Asegúrese siempre de que no haya mangueras ni otros objetos que obstaculicen su paso o el de otras personas.
- ▶ Asegúrese de estar siempre en una posición estable, con los pies separados a la misma distancia que la anchura de los hombros, y con el peso del cuerpo equilibrado.

▲ ADVERTENCIA Riesgos relativos al movimiento

Al usar la máquina para realizar actividades relacionadas con el trabajo, puede experimentar malestar en las manos, los brazos, los hombros, el cuello y otras partes del cuerpo.

- ▶ Adopte una postura cómoda manteniendo el pie firme y evitando extrañas posturas en desequilibrio.
- ▶ El cambio de postura durante las tareas prolongadas puede ayudar a evitar el malestar y la fatiga.
- ▶ En caso de tener síntomas continuos o periódicos, consulte a un profesional de la salud cualificado.

▲ ADVERTENCIA Riesgos relacionados con las vibraciones

El uso normal y correcto de la máquina expone al operario a las vibraciones. La exposición regular y frecuente a las vibraciones puede ocasionar lesiones o trastornos (o contribuir a provocarlos o agravarlos) en dedos, manos, muñecas, brazos, hombros y/o nervios y riego sanguíneo u otras partes del cuerpo del operario, incluidas lesiones o trastornos permanentes y/o debilitantes que pueden desarrollarse gradualmente durante periodos de semanas, meses o años. Estas lesiones o trastornos pueden consistir en el deterioro del sistema circulatorio sanguíneo, del sistema nervioso, de las articulaciones y otros daños en distintas zonas del cuerpo.

Si en algún momento siente entumecimiento, malestar continuo periódico, ardor, agarrotamiento, dolor punzante, hormigueo, dolor, torpeza, débil agarre en las manos, piel pálida u otros síntomas, tanto si está usando la máquina como si no, deje de usarla, avise a su empleador y acuda al médico. El uso continuado de la máquina tras la aparición de alguno de estos síntomas puede hacer que aumente el riesgo de que los síntomas se agraven o se hagan permanentes.

Maneje y conserve la máquina según lo recomendado en estas instrucciones, con el fin de evitar un aumento innecesario de las vibraciones.

Las siguientes indicaciones pueden ayudar a reducir la exposición a las vibraciones para el operario:

- ▶ Deje que sea la máquina la que haga el trabajo. Agárrela lo mínimo, para controlarla correctamente y que su uso sea seguro.
- ▶ Si la máquina tiene empuñaduras de absorción de vibraciones, manténgalas en posición central, evitando presionarlas en los topes finales.
- ▶ Cuando se active el mecanismo de percusión, el único contacto corporal con la máquina que se debe tener es el de las manos en la empuñadura o las empuñaduras. Evite cualquier otro contacto, como por ejemplo descansar una parte del cuerpo en la máquina o apoyarse en ella para aumentar la fuerza de avance. También es importante no mantener el dispositivo de puesta en marcha y parada encendido al mismo tiempo que se extrae la herramienta de la superficie de trabajo rota.
- ▶ Asegúrese de que la herramienta insertada se encuentra en buen estado (incluso el afilado, si se trata de una herramienta de corte), no está gastada y es del tamaño adecuado. Las herramientas de inserción que no se encuentran en buen estado, están gastadas o no son del tamaño adecuado alargan el tiempo de realización de una tarea (y de exposición a las vibraciones) y pueden contribuir a la exposición a niveles más altos de vibración.

- ▶ Deje de trabajar inmediatamente, si de repente la máquina empieza a vibrar violentamente. Antes de continuar trabajando, averigüe y elimine la causa del incremento de las vibraciones.
- ▶ Nunca agarre, sostenga ni toque la herramienta de trabajo cuando utilice la máquina.
- ▶ Participe en las inspecciones o los controles de salud, en los exámenes médicos y en los programas de formación ofrecidos por su empleador y cuando la ley así lo exija.
- ▶ Cuando trabaje en climas fríos lleve ropa de abrigo y mantenga las manos calientes y secas.
- ▶ El aire del escape es muy frío y no debe contactar con el operario. Mantenga siempre el aire del escape alejado de las manos y del cuerpo.

Consulte la “Declaración de ruido y vibraciones” de la máquina, incluidos los valores de vibración declarados. Puede encontrar esta información al final de las instrucciones de seguridad y de funcionamiento.

- ◆ Asegúrese de satisfacer la presión atmosférica recomendada al utilizar la máquina. Una presión atmosférica más alta o más baja puede producir niveles más altos de vibración.

▲ PELIGRO Riesgos relacionados con la electricidad

La máquina no está aislada eléctricamente. Si la máquina entra en contacto con la electricidad, podría provocar lesiones graves o la muerte.

- ▶ No utilice nunca la máquina cerca de un cable eléctrico ni otra fuente de electricidad.
- ▶ Compruebe que no haya cables u otras fuentes de electricidad ocultos en el área de trabajo.

▲ ADVERTENCIA Peligros relacionados con objetos ocultos

Durante el funcionamiento, los cables y tubos ocultos constituyen un peligro, ya que pueden ocasionar lesiones graves o la muerte.

- ▶ Compruebe la composición del material antes del funcionamiento.
- ▶ Fíjese bien que no haya cables ni tubos ocultos, como líneas de electricidad, teléfono, agua, gas y aguas residuales.
- ▶ Si la herramienta insertada parece haber topado con un objeto oculto, apague la máquina de inmediato.
- ▶ Compruebe que no haya ningún peligro antes de continuar.

▲ ADVERTENCIA Encendido involuntario

El encendido involuntario de la máquina puede producir lesiones.

- ▶ Mantenga las manos alejadas del dispositivo de puesta en marcha y parada hasta que esté listo para arrancar la máquina.
- ▶ Sepa cómo apagar la máquina en caso de producirse una emergencia.
- ▶ Libere el dispositivo de puesta en marcha y parada inmediatamente siempre que se interrumpa el suministro eléctrico.
- ▶ Cuando inserte o extraiga la herramienta de inserción, interrumpa el suministro de aire, purgue la máquina presionando el dispositivo de puesta en marcha y parada y desconecte la máquina de la unidad de potencia.

▲ ADVERTENCIA Riesgos relacionados con el ruido

Los altos niveles de ruido pueden producir pérdida de audición permanente e incapacitante y otros problemas tales como acúfenos (vibración, zumbido, silbido o ronroneo en los oídos). Para reducir el riesgo y evitar un aumento innecesario de los niveles de ruido:

- ▶ Es esencial hacer la evaluación del riesgo de estos peligros y la puesta en práctica de los controles adecuados.
- ▶ Maneje y conserve la máquina según lo recomendado en estas instrucciones.
- ▶ Seleccione, conserve y sustituya la herramienta de inserción según lo recomendado en estas instrucciones.
- ▶ Si la máquina tiene silenciador, compruebe que esté en su sitio y en buen estado de funcionamiento.
- ▶ Utilice siempre protección para los oídos.
- ▶ Utilice material de amortiguación para evitar que las piezas de trabajo “vibren”.

Mantenimiento, precauciones

▲ ADVERTENCIA **Modificación de la máquina**

Cualquier modificación de la máquina puede provocar daños corporales a usted y a otras personas.

- ▶ Nunca modifique la máquina. Una máquina modificada no estará cubierta por la garantía ni por la responsabilidad del producto.
- ▶ Utilice siempre piezas, herramientas de inserción y accesorios originales.
- ▶ Cambie las piezas dañadas inmediatamente.
- ▶ Sustituya los componentes gastados con la debida antelación.

▲ ATENCIÓN **Herramienta de inserción caliente**

La punta de la herramienta de inserción puede calentarse con el uso. Si se toca, puede provocar quemaduras y cortes.

- ▶ Nunca toque una herramienta de inserción caliente o afilada.
- ▶ Espere a que la herramienta de inserción se haya enfriado antes de realizar los trabajos de mantenimiento.

▲ ADVERTENCIA **Peligros de la herramienta de inserción**

La conexión accidental del dispositivo de puesta en marcha y parada durante el mantenimiento o la instalación puede causar lesiones graves cuando la unidad de potencia está conectada.

- ▶ Nunca revise, limpie, instale ni retire la herramienta de inserción mientras la unidad de potencia esté conectada.

Almacenaje, precauciones

- ◆ Guarde la máquina y las herramientas en un lugar seguro, fuera del alcance de los niños y bajo llave.

Visión general

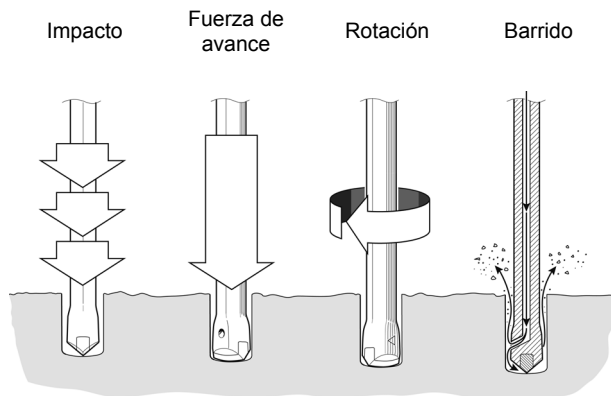
Para reducir el riesgo de que usted u otras personas padezcan lesiones graves o la muerte, antes de usar la máquina lea la sección de Instrucciones de seguridad que encontrará en las páginas anteriores de este manual.

Diseño y funcionamiento

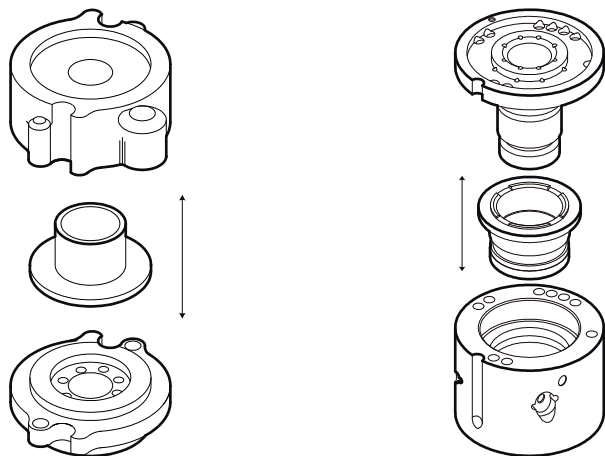
CP 0022, CP 0032 y CP 0069 son perforadoras neumáticas diseñadas para perforaciones verticales, perforaciones de orificios para tacos y perforaciones en hormigón para construcción y minas. No está permitido ningún otro uso.

Para elegir las herramientas de inserción correctas, póngase en contacto con su concesionario local de Chicago Pneumatic

Principio de funcionamiento de una perforadora

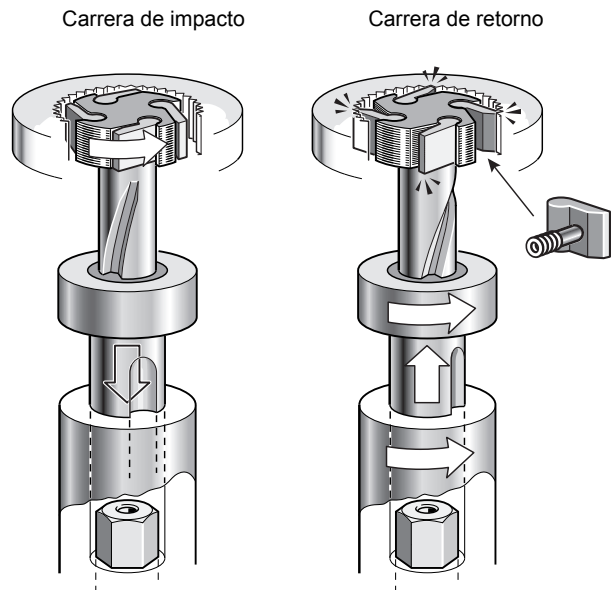


Mecanismo de la válvula de control



La válvula dirige el aire de manera alterna de un lado a otro del pistón para que se mueva hacia arriba y hacia abajo. El pistón transmite la energía a través de la barrena hacia la parte inferior del agujero.

Mecanismo de rotación

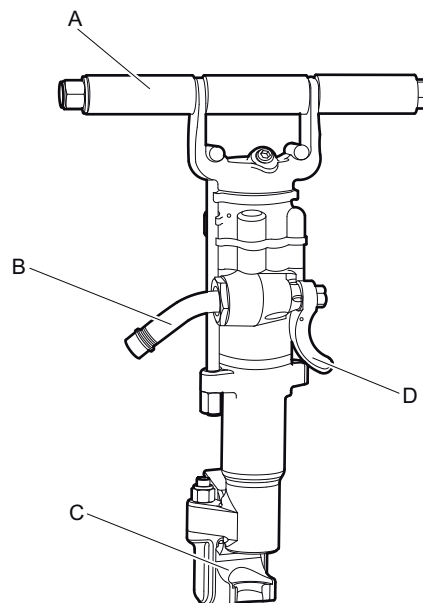


La barrena gira levemente con cada golpe de rotación de la barra rayada. La rotación es normalmente en sentido contrario al de las agujas del reloj y se realiza generalmente en la carrera de retorno del pistón.

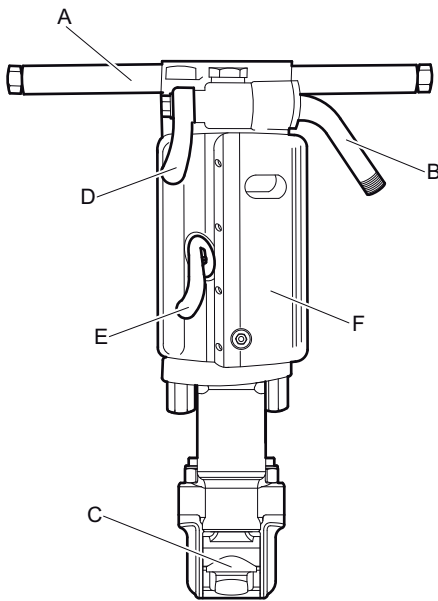
Barrido

El barrido se canaliza a través de un orificio del pistón. Esto significa que el aire de barrido se suministra justo cuando se activa el aire comprimido.

Piezas principales



CP 0022 KL



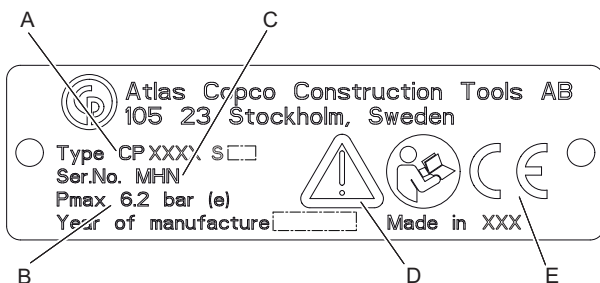
CP 0032, CP 0069

- A. Empuñadura
- B. Boquilla de entrada de aire
- C. Retén de la barrena de perforación
- D. Palanca de control
- E. Palanca de soplador adicional
- F. Silenciador (opcional)

Etiquetas

La máquina incluye etiquetas que contienen información importante sobre la seguridad personal y el mantenimiento de la máquina. Las etiquetas deberán estar en buen estado para que sean fáciles de leer. Se pueden pedir nuevas etiquetas en la lista de piezas de repuesto.

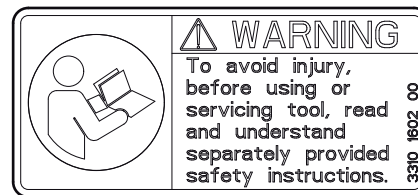
Placa de datos



- A. Tipo de máquina
- B. Presión de aire comprimido máxima permitida
- C. Número de serie

- D. El símbolo de atención unido al símbolo del libro significa que el usuario debe leer las instrucciones de seguridad y de funcionamiento antes de usar la máquina por primera vez.
- E. El símbolo CE indica que la máquina tiene la aprobación de la CE. Consulte la declaración de la CE que se suministra con la máquina para obtener más información. Si el símbolo CE no está, significa que la máquina no tiene la aprobación de la CE.

Etiqueta de seguridad



Para evitar lesiones, antes de usar o de reparar la herramienta, lea y comprenda las instrucciones de seguridad proporcionadas por separado.

Montaje

Desempaquetado de la perforadora

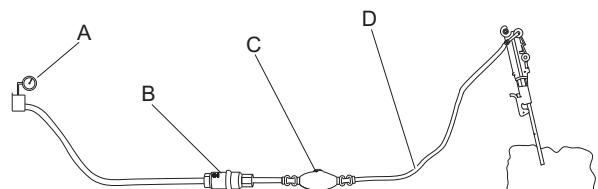
Protecciones de plástico

Antes de utilizar la perforadora por primera vez, deberá retirar todas las protecciones de plástico de las boquillas de las mangueras.

Lubricación

Tras desempaquetar e instalar la herramienta, vierta una cantidad generosa de aceite lubricante en la conexión de aire.

Mangueras y conexiones



- A. Fuente de aire comprimido
- B. Separador de agua (opcional)
- C. Engrasador (opcional)

- D. Manguera de aire comprimido de un máximo de 10 feet (3 meter) entre el engrasador y la máquina.
- ◆ Compruebe que utiliza la presión correcta de funcionamiento recomendada, 87 psig (6 bar (e)).
 - ◆ No debe sobrepasarse la presión máxima de aire admisible, 90 psig (6,2 bar (e)).
 - ◆ Quite las impurezas de la manguera de aire comprimido antes de conectarla a la máquina.
 - ◆ Seleccione las dimensiones correctas y la longitud de la manguera de aire comprimido. Para mangueras con longitudes de hasta 100 feet (30 meters), debe utilizarse una manguera con un diámetro interno mínimo de $\frac{3}{4}$ in. (19 mm). Si la longitud de la manguera es de 100 a 330 feet (30 a 100 meters), debe utilizarse una manguera con un diámetro interno mínimo de 1 in. (25 mm).

Métodos para evitar la congelación

Puede acumularse hielo en el silenciador cuando la temperatura ambiente es de 0-10°C (32-50 °F) y la humedad relativa es alta.

La máquina está diseñada para evitar la formación de hielo en el silenciador. A pesar de eso, en condiciones extremas se puede formar hielo en el silenciador.

Tome las siguientes medidas para neutralizar el riesgo de formación de hielo:

- ◆ Utilice aceite para perforadoras.
- ◆ Utilice un separador de agua.

Conexión de un separador de agua

La longitud de la manguera de aire entre el compresor y el separador de agua debe ser lo suficiente como para que el vapor de agua se enfríe y se condense en la manguera antes de alcanzar el separador de agua.

Si la temperatura ambiente está por debajo de 32 °F (0 °C) el tubo flexible debe ser lo suficientemente corto para impedir que se congele el agua antes de llegar al separador de agua.

Lubricación

El lubricante es importante para el funcionamiento de la máquina y tiene una gran repercusión en la extensión de la vida útil de la misma. Para suministrar el volumen correcto de aceite, debe conectarse un engrasador a la manguera de aire. Se recomienda utilizar lubricante para tubos de aire de Chicago Pneumatic. Para garantizar una buena lubricación, la longitud de la manguera de aire entre el lubricador y la herramienta neumática no debe exceder los 10 feet (3 metros).

Aplicar demasiado lubricante puede ocasionar problemas de arranque, potencia baja o rendimiento irregular.

Lubricante recomendado: Aceite para perforadoras con una viscosidad de 100-150 SUS a 100°F (ISO VG 22–32).

Barrena de perforación

▲ ADVERTENCIA Herramienta de inserción retirada

Si el retén de la herramienta de la máquina no está en una posición bloqueada, la herramienta insertada se puede retirar de forma forzada, lo que puede causar lesiones personales.

- ▶ Antes de cambiar la herramienta de inserción, pare la máquina, desconecte el suministro de aire comprimido y purgue la máquina activando el dispositivo de puesta en marcha y parada.

Antes de insertar la barrena de perforación

Compruebe que el vástago de la herramienta tiene el tamaño y la longitud adecuados para el mandril utilizado. El vástago debe estar limpio y la herramienta debe estar en buen estado. Los vástagos astillados, redondeados, descuadrados o demasiado duros en el extremo de percusión funcionarán de forma ineficiente y provocarán un funcionamiento incorrecto del pistón de forma prematura.

Inspeccione la barrena de perforación:

Una barrena de perforación desgastada ralentizará la velocidad de perforación y ejercerá una presión excesiva sobre el mecanismo de perforación. Cuando cambie la barrena de perforación, asegúrese de que la nueva sea del tamaño correcto para continuar con la perforación previa.

Antes de la perforación, compruebe que el orificio de barrido de la barrena no esté bloqueado.

▲ ATENCIÓN Herramienta de inserción caliente

La punta de la herramienta de inserción puede calentarse con el uso. Si se toca, puede provocar quemaduras y cortes.

- ▶ Nunca toque una herramienta de inserción caliente o afilada.
- ▶ Espere a que la herramienta de inserción se haya enfriado antes de realizar los trabajos de mantenimiento.

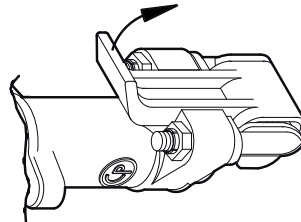
AVISO No enfríe nunca una herramienta de inserción caliente en agua, ya que puede producirle fragilidad y fallos prematuros.

Inserción de la barrena de perforación

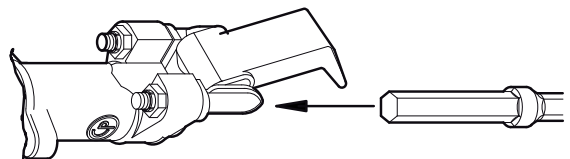
CP 0022 KL, CP 0032, CP 0069

Cuando inserte la barrena debe seguir las siguientes instrucciones:

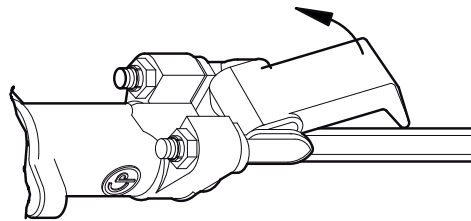
1. Tire del retén hacia dentro en el sentido de la flecha, hasta que la parte delantera pueda alojar el collar de la barrena.



2. Inserte la barrena en el mandril.



3. Cuando la barrena llegue al final, empuje el retén hacia atrás para bloquearlo.

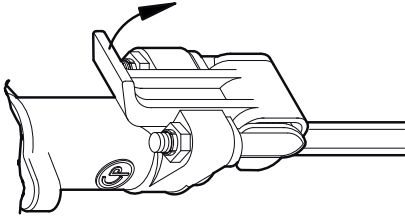


Desmontaje de la barrena de perforación

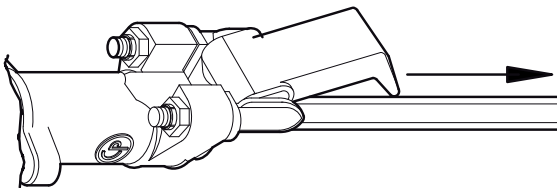
CP 0022 KL, CP 0032, CP 0069

Cuando desmonte la barrena debe seguir las siguientes instrucciones:

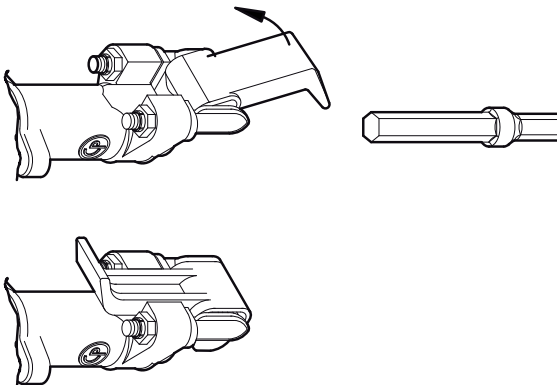
1. Tire del retén hacia dentro en el sentido de la flecha, hasta que el collar de la barrena se desenganche de la parte delantera del retén.



2. Tire de la barrena hacia fuera.



3. Empuje el retén hacia atrás.

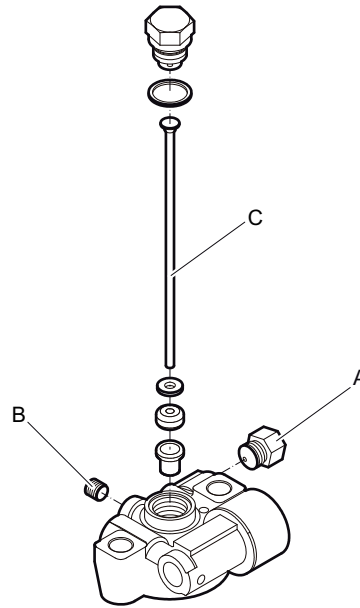


Perforación húmeda

Antes de convertir a perforación húmeda

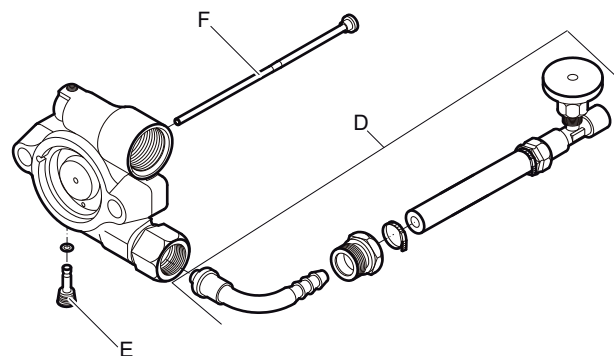
Antes de convertir la perforadora a perforación húmeda, desconecte siempre el suministro de aire y purgue la máquina presionando la palanca de control. Luego desconecte la manguera de aire de la máquina.

Conversión a perforación húmeda



Sólo para CP 0032 y CP 0069

1. Desatornille el tapón (A) de la conexión del agua.
2. Desatornille el tapón (B) del cabezal trasero.
3. Desmonte el conducto de aire (C) del cabezal trasero.



Sólo para CP 0032 y CP 0069

1. Monte el kit de conversión de agua (D) y conéctelo a la conexión del agua.
2. Atornille el tapón (E) en el cabezal trasero.
3. Coloque el conducto de agua (F) en el cabezal trasero.

Funcionamiento

▲ ADVERTENCIA Encendido involuntario

El encendido involuntario de la máquina puede producir lesiones.

- ▶ Mantenga las manos alejadas del dispositivo de puesta en marcha y parada hasta que esté listo para arrancar la máquina.
- ▶ Sepa cómo apagar la máquina en caso de producirse una emergencia.
- ▶ Detenga inmediatamente la máquina en caso de interrupción de la alimentación.

Preparaciones antes de la puesta en marcha

Control del equipo de perforación

- ◆ Compruebe que todo el equipo de perforación esté en buen estado de funcionamiento.
- ◆ Compruebe que la superficie de impacto del vástago de la barrena sea plana y no presente signos de desgaste.
- ◆ Compruebe que no haya ningún atasco en los puertos de admisión y salida de aire.
- ◆ Compruebe que los orificios de barrido de la barrena o de la broca no estén bloqueados, y que el aire o el agua de barrido fluyan sin ningún impedimento.
- ◆ Compruebe que el filtro de aire (situado en la boquilla de aire) esté limpio y que no esté desgarrado ni deformado.
- ◆ Compruebe que las fijaciones estén apretadas y que no presenten fugas.

▲ PELIGRO Manguera de aire suelta

Una manguera de aire comprimido floja puede asestar latigazos a las personas y ocasionarles lesiones o incluso la muerte.

- ▶ Compruebe que la manguera de aire comprimido y las conexiones no estén dañadas.
- ▶ Compruebe que todas las conexiones de aire comprimido estén debidamente conectadas.

Purga de la manguera de aire

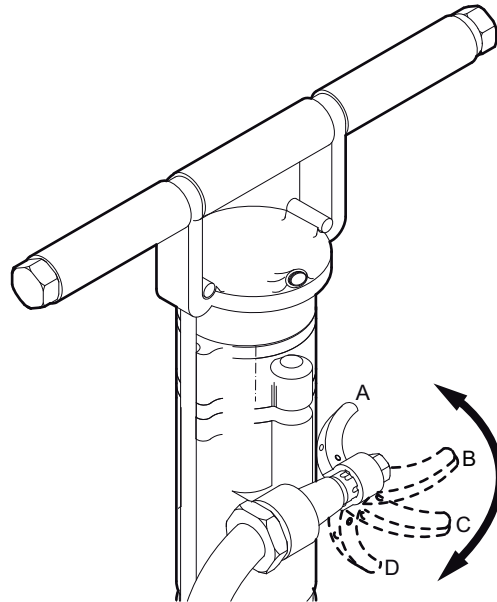
- ◆ Purgue todos los días la manguera de aire para limpiar la suciedad y la humedad acumuladas antes de utilizar la perforadora.

Llenado de aceite del lubricador

- ◆ Compruebe que el mandril y el vástago de la barrena estén siempre cubiertos de una película de aceite.

Controles

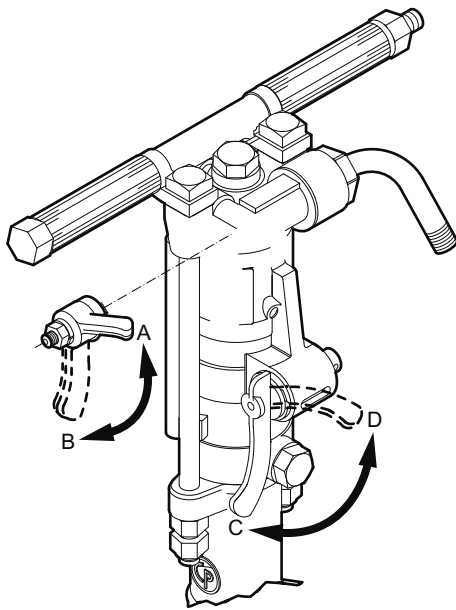
Palanca de control



CP 0022 KL

La perforadora incluye una palanca de control para regular el aire comprimido que va hacia el mecanismo de percusión.

- ◆ Válvula reguladora cerrada (posición de parada) (A).
- ◆ Sólo para realizar limpiezas por soplado (B).
- ◆ Palanca de control abierta a la mitad (C).
- ◆ Palanca de control abierta del todo (D).



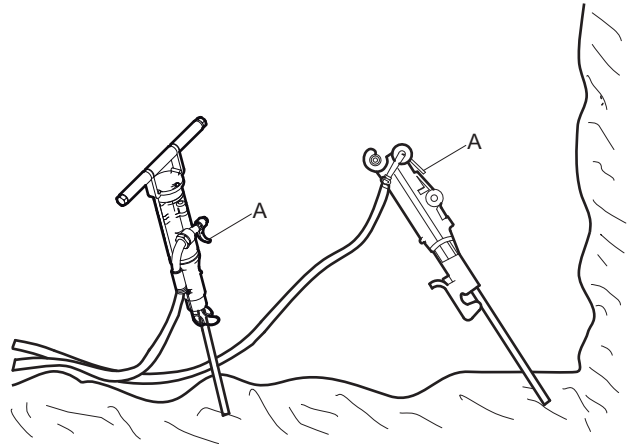
CP 0032 y CP 0069

La perforadora incluye una palanca de control para regular el aire comprimido que va hacia el mecanismo de percusión y una palanca de soplador para una limpieza adicional por soplado.

- ◆ Válvula reguladora cerrada (posición de parada) (A). Sólo para realizar limpiezas por soplado.
- ◆ Palanca de control abierta del todo (B).
- ◆ Válvula del soplador cerrada (posición de parada) (C).
- ◆ Palanca del soplador abierta del todo (D).

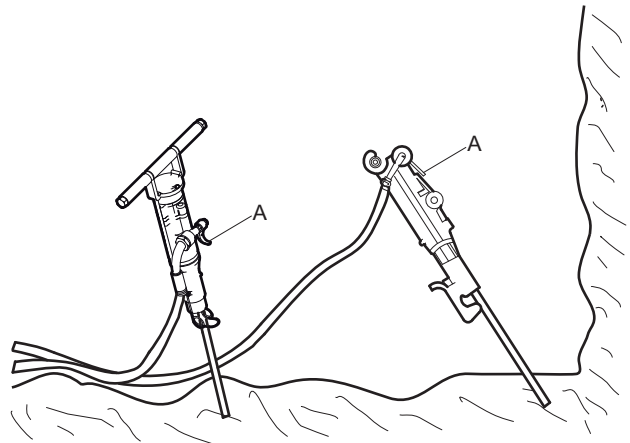
Puesta en marcha y parada

Puesta en marcha de la perforadora



1. Abra la válvula principal para que salga el aire comprimido.
2. Alinee la perforadora de forma que la barrena toque el punto de perforación deseado.
3. Desplace la palanca de control (A) hacia delante un poco, con lo que se iniciará la percusión y la rotación.
4. Inicie la perforación con una fuerza de avance reducida.
5. Desplace la palanca de control (A) totalmente hacia delante cuando la barrena se haya apoyado de manera firme en la roca.

Detención de la perforadora



1. Empuje la palanca de control (A) hacia atrás a la posición cerrada, con lo que se detendrá la percusión y la rotación.

En funcionamiento

Perforación

- ◆ Utilice calzado, guantes y casco de protección, así como protectores para los oídos y protección ocular contra impactos con protección lateral.
- ◆ Manténgase de pie de manera firme y sujete siempre la máquina con ambas manos.
- ◆ Sujete la herramienta insertada firmemente contra la superficie de trabajo antes de arrancar la máquina.

En los descansos

- ◆ Durante todos los descansos debe colocar la máquina de forma que no haya riesgo de que se ponga en marcha involuntariamente. Asegúrese de colocar la máquina en el suelo, de forma que no se caiga.
- ◆ En caso de hacer un descanso más largo o a la hora de irse de la obra: Apague la alimentación y, a continuación, purgue la máquina activando el dispositivo de puesta en marcha y parada.

Mantenimiento

El mantenimiento regular es un requisito esencial para el uso seguro y eficaz de la máquina. Siga las instrucciones de mantenimiento detenidamente.

- ◆ Antes de iniciar el mantenimiento en la máquina, límpiela para evitar la exposición a sustancias peligrosas. Consulte “Peligros del polvo y del humo”
- ◆ Utilice sólo piezas originales. Cualquier daño o defecto originado por la utilización de piezas no autorizadas no estará cubierto por la garantía ni por la responsabilidad del producto.
- ◆ Al limpiar las piezas mecánicas con un disolvente, asegúrese de cumplir la normativa de salud y seguridad en el trabajo y de que haya la suficiente ventilación.
- ◆ Para realizar una reparación más completa de la máquina, acuda al taller autorizado más cercano.
- ◆ Después de cada reparación, compruebe que el nivel de vibraciones de la máquina sea el normal. Si no lo es, póngase en contacto con el taller autorizado más cercano.

A diario

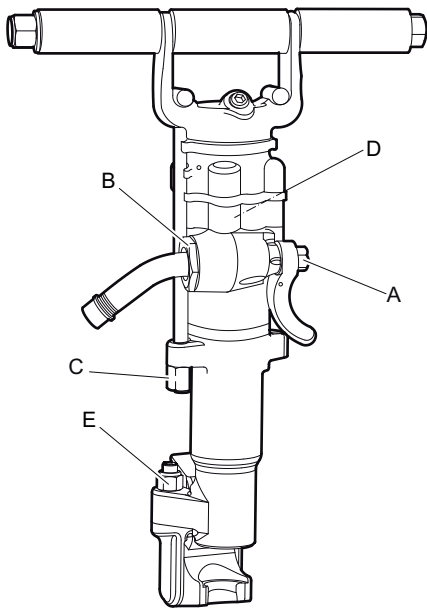
Antes de realizar cualquier tarea de mantenimiento o cambiar la herramienta de inserción en las máquinas neumáticas, desactive siempre el suministro de aire y purgue la máquina pulsando el dispositivo de puesta en marcha y parada, y a continuación desconecte la manguera de aire de la máquina.

- ◆ Limpie e inspeccione la máquina y sus funciones cada día antes de empezar a trabajar.
- ◆ Realice una inspección general para determinar si hay fugas o desperfectos.
- ◆ Compruebe que la boquilla de admisión de aire esté apretada y que el acoplamiento de garras no esté dañado.
- ◆ Compruebe el funcionamiento de la palanca de control. Compruebe que se desplaza libremente arriba y abajo.
- ◆ Compruebe el funcionamiento del retenedor. Asegúrese de que bloquee la barrena.
- ◆ Cambie las piezas dañadas inmediatamente.
- ◆ Sustituya los componentes gastados con la debida antelación.
- ◆ Compruebe los pernos pasantes de la máquina. Asegúrese de que estén apretados.
- ◆ Si la máquina está equipada con silenciador, compruebe que no esté dañado.

Mantenimiento periódico

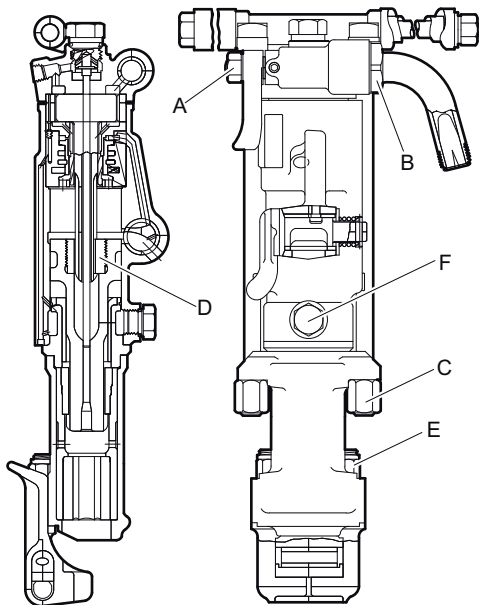
Después de un período operativo de unas 100 horas de trabajo o bien tres veces al año, se debe desmontar la máquina y limpiar y comprobar todas las piezas. Este trabajo debe realizarlo personal autorizado y cualificado para ello.

Par de apriete



CP 0022 KL

- A. Tuerca, 70-80 ft.lbf (95-108 Nm)
- B. Tuerca de la toma de aire, 110-120 ft.lbf (149-163 Nm)
- C. Tuerca del perno pasante, 90-100 ft.lbf (122-136 Nm)
- D. Tuerca estriada, 200-225 ft.lbf (271-305 Nm)
- E. Tuerca, 100-110 ft.lbf (136-149 Nm)



CP 0032 y CP 0069

- A. Tuerca, 35-40 ft.lbf (47-54 Nm)
- B. Tuerca de la toma de aire, 125-150 ft.lbf (169-203 Nm)
- C. Tuerca del perno pasante, 110-120 ft.lbf (149-163 Nm)
- D. Tuerca estriada, 200-225 ft.lbf (271-305 Nm)
- E. Tuerca, 100-110 ft.lbf (136-149 Nm)
- F. Tapón de aceite, 90-100 ft.lbf (122-136 Nm)

Patrones de daños

Las piezas desgastadas o rotas siempre deben examinarse con detenimiento antes de ser sustituidas, ya que pueden dar información importante sobre el estado de la perforadora y sobre el modo en que se utiliza y se mantiene.

Problema	Causa
Las piezas de acero son de un color azulado	Las piezas se han sometido a un calor excesivo. Esto puede deberse a una lubricación insuficiente o a un funcionamiento excesivamente lento
Las piezas de acero tienen fisuras pequeñas, casi microscópicas, sobre las superficies de desgaste	Ver la explicación anterior
Hay cavidades irregulares sobre la superficie de las piezas de bronce	Ver la explicación anterior
Marcas de corte	Daños secundarios
	Suciedad en el interior de la broca
	Desalineación interior debido a una tensión desigual en los pernos laterales

Almacenaje

- > Lubrique siempre bien la perforadora antes de guardarla.
- > Guarde siempre la máquina en un lugar limpio y seco.
- > Asegúrese de que no entren elementos extraños en la máquina.
- > Proteja el mandril utilizando el tapón de plástico incluido en la máquina. De forma alternativa, puede utilizar un tapón de madera o un trozo limpio de tela de algodón.
- > Si debe guardarla durante un periodo de tiempo prolongado, vierta un poco de aceite directamente en la admisión de aire de la perforadora y active el aire por poco tiempo. De este modo protegerá a la máquina de la corrosión.

Desechar

Una máquina usada se debe manipular y desechar de tal forma que se pueda reciclar la mayor cantidad posible del material, haya la menor influencia negativa posible en el medio ambiente y se cumplan las restricciones municipales.

Especificaciones técnicas

Datos de la máquina

Modelo	Número de pieza	Diámetro interior del pistón in. (mm)	Longitud de la carrera in. (mm)	Longitud total in. (mm)	Peso lb (kg)	Dimensiones del vástago in. (mm)
CP 0022 KL 7/8" x 3 1/4"	8900 0020 01	2 3/8 (60)	1 1/4 (44)	18 3/4 (475)	32 (14,7)	7/8 x 3 1/4 (22 x 82,5)
CP 0022 KL 7/8" x 4 1/4"	8900 0020 02	2 3/8 (60)	1 1/4 (44)	19 5/8 (500)	33 (14,9)	7/8 x 4 1/4 (22 x 108)
CP 0032 A 7/8" x 3 1/4"	T022318	2 5/8 (67)	2 (51)	22 (559)	54 (24,5)	7/8 x 3 1/4 (22 x 82,5)
CP 0032 A 7/8" x 4 1/4"	T022117	2 5/8 (67)	2 (51)	23 (584)	54 (24,5)	7/8 x 4 1/4 (22 x 108)
CP 0032 AS 7/8" x 4 1/4"	T025431	2 5/8 (67)	2 (51)	23 (584)	54 (24,5)	7/8 x 4 1/4 (22 x 108)
CP 0032 A 1" x 4 1/4"	T022319	2 5/8 (67)	2 (51)	23 (584)	54 (24,5)	1 x 4 1/4 (25 x 108)
CP 0069 3/8" x 4 1/4"	T006661	2 3/4 (70)	2 5/8 (67)	24 1/2 (622)	64 (29,1)	7/8 x 4 1/4 (22 x 108)
CP 0069 1" x 4 1/4"	T022259	2 3/4 (70)	2 5/8 (67)	24 1/2 (622)	64 (29,1)	1 x 4 1/4 (25 x 108)
CP 0069 WET 7/8" x 4 1/4"	T025423	2 3/4 (70)	2 5/8 (67)	24 1/2 (622)	64 (29,1)	7/8 x 4 1/4 (22 x 108)

Modelo	Consumo de aire (6 bares) foot ³ /min (l/s)	Frecuencia de impacto (6 bares) Hz	Diámetro de perforación in. (mm)
CP 0022 KL 7/8" x 3 1/4"	56 (22)	37	≤1 1/2 (≤38)
CP 0022 KL 7/8" x 4 1/4"	56 (22)	37	≤1 1/2 (≤38)
CP 0032 A 7/8" x 3 1/4"	103 (48)	37	≤2 (≤50)
CP 0032 A 7/8" x 4 1/4"	103 (48)	37	≤2 (≤50)
CP 0032 AS 7/8" x 4 1/4"	103 (48)	37	≤2 (≤50)
CP 0032 A 1" x 4 1/4"	103 (48)	37	≤2 (≤50)
CP 0069 3/8" x 4 1/4"	130 (61)	32	≤2 1/2 (≤62,5)
CP 0069 1" x 4 1/4"	130 (61)	32	≤2 1/2 (≤62,5)
CP 0069 WET 7/8" x 4 1/4"	130 (61)	32	≤2 1/2 (≤62,5)

Declaración de ruido y vibraciones

Nivel de potencia acústica garantizado **L_w** según EN ISO 3744, de conformidad con la directiva 2000/14/CE.

Nivel de presión acústica **L_p** según EN ISO 11203.

Valor de vibraciones **A** e incertidumbre **B** determinado según EN ISO 20643. Consulte en la tabla "Datos de ruido y vibraciones" los valores A, B, etc.

Estos valores declarados se obtuvieron mediante pruebas de laboratorio, de acuerdo con la directiva o las normas indicadas, y son adecuados para la comparación con los valores declarados de otras herramientas probadas de acuerdo con dicha directiva o dichas normas. Estos valores declarados no son adecuados para su uso en evaluaciones de riesgo, por lo que los valores medidos en los lugares de trabajo individuales pueden resultar superiores. Los valores de exposición reales y el riesgo de sufrir daños experimentados por cada usuario son únicos y dependen del modo en que éste trabaja, el material con el que utiliza la máquina, así como el tiempo de exposición y el estado físico del usuario y el estado de la máquina.

Nuestra empresa, Atlas Copco Construction Tools AB, no se hace responsable de las consecuencias de utilizar los valores declarados en lugar de valores que reflejen la exposición real, en una evaluación de riesgos individual en una situación del lugar de trabajo sobre la que no tenemos control.

Esta herramienta puede causar el síndrome de vibraciones mano-brazo si no se usa adecuadamente. En la dirección <http://www.humanvibration.com/humanvibration/EU/VIBGUIDE.html> puede ver una guía de la UE sobre el control de las vibraciones mano-brazo

Recomendamos un programa de control de salud para detectar los primeros síntomas que puedan estar relacionados con la exposición a las vibraciones, de forma que puedan modificarse los procedimientos de gestión para prevenir las discapacidades futuras.

Datos de ruido y vibraciones

Modelo	Ruido		Vibración	
	Valores declarados		Valores declarados	
	Presión acústica	Potencia acústica	Valores de tres ejes	
	EN ISO 11203	2000/14/CE	EN ISO 20643	
	L_p r=1m dB(A) rel 20 μPa	L_w garantizado dB(A) rel 1 pW	A m/s ² valor	B m/s ² amplitud
CP 0022 KL 7/8" x 3 1/4"	106	116	25,7	3,0
CP 0022 KL 7/8" x 4 1/4"	106	116	25,7	3,0
CP 0032 A 7/8" x 3 1/4"	111	122	21,9	2,7
CP 0032 A 7/8" x 4 1/4"	111	122	21,9	2,7
CP 0032 AS 7/8" x 4 1/4"	103	114	21,9	2,7
CP 0032 A 1" x 4 1/4"	111	122	21,9	2,7
CP 0069 7/8" x 4 1/4"	113	124	29,0	3,4
CP 0069 1" x 4 1/4"	113	124	29,0	3,4
CP 0069 WET 7/8" x 4 1/4"	113	124	29,0	3,4

Accesorios

Descripción	Nota	Cantidad	Núm. Pedido
Lubricador 43, tipo EE.UU. (NPT)	Para aceite mineral y sintético	1	8900 0050 07
Lubricador 1300, tipo europeo (BSP)	Para aceite mineral y sintético	1	8900 0050 02
Separador de agua, tipo EE.UU. (NPT)	Flujo de aire <130 ft ³ /min (60 l/s)	1	8900 0050 01
Separador de agua, tipo europeo (BSP)	Flujo de aire <130 ft ³ /min (60 l/s)	1	8900 0050 00

Descripción	Nota	Cantidad	Núm. Pedido
Manguera de aire RED-X, 60 m	20 mm (¾")	1	8900 0050 10

Declaración CE de conformidad

Declaración CE de conformidad (Directiva 2006/42/CE)

Atlas Copco Construction Tools AB declara por la presente que las máquinas detalladas a continuación se ajustan a las disposiciones de las Directivas 2006/42/CE (Directiva sobre máquinas), y a las normas armonizadas mencionadas más abajo.

Perforadoras	Número de pieza	Pmax (bares)
CP 0022 KL 7/8" x 3 1/4"	8900 0020 01	6.2
CP 0022 KL 7/8" x 4 1/4"	8900 0020 02	6.2
CP 0032 A 7/8" x 3 1/4"	T022318	6.2
CP 0032 A 7/8" x 4 1/4"	T022117	6.2
CP 0032 AS 7/8" x 4 1/4"	T025431	6.2
CP 0032 A 1" x 4 1/4"	T022319	6.2
CP 0069 7/8" x 4 1/4"	T006661	6.2
CP 0069 1" x 4 1/4"	T022259	6.2
CP 0069 WET 7/8" x 4 1/4"	T025423	6.2

Se han aplicado las siguientes normas armonizadas:

EN ISO 11148-5

Representante autorizado para la documentación técnica:

Per Forsberg

Atlas Copco Construction Tools AB

Dragonvägen 2

Kalmar

Vicepresidente de diseño y desarrollo:

Erik Sigfridsson

Fabricante:

Atlas Copco Construction Tools AB

105 23 Stockholm

Sweden

Lugar y fecha:

Kalmar, 2012-06-30

PORTUGUÊS

Índice

Introdução	91
Acerca das instruções de segurança e operação	91
Instruções de segurança	92
Palavras de avisos de segurança.....	92
Precauções e habilitações pessoais.....	92
Instalação, precauções.....	92
Operação, precauções.....	93
Manutenção, precauções.....	98
Armazenamento, precauções.....	98
Visão geral	99
Concepção e função.....	99
Peças principais.....	99
Autocolantes.....	100
Instalação	100
Desembalar o perfurador.....	100
Mangueiras e ligações.....	100
Métodos para evitar o congelamento.....	101
Conectar o separador de água.....	101
Lubrificação.....	101
Broca de aço.....	101
Perfuração molhada.....	102
Operação	103
Preparações antes de arrancar.....	103
Controlos.....	104
Arranque e paragem.....	105
Funcionamento.....	105
Ao fazer uma pausa.....	105
Manutenção	105
Diariamente.....	106
Manutenção periódica.....	106
Binário de aperto.....	106
Padrões de danos.....	107
Armazenamento	107
Abate	107
Dados técnicos	108
Dados da máquina.....	108
Declaração de ruído e vibração.....	108
Dados sobre o ruído e vibrações.....	109
Acessórios.....	109
Declaração de Conformidade da CE	110
Declaração de Conformidade da CE (Directiva da CE 2006/42/CE).....	110

Introdução

Obrigado por escolher os produtos da marca Chicago Pneumatic. Por mais de um século, a marca Chicago Pneumatic tem representado desempenho e inovação na indústria das ferramentas pneumáticas.

Hoje a marca encontra-se em todo o mundo com uma gama de ferramentas pneumáticas e hidráulicas que inclui martelos demolidores, perfuradores de rocha, escarificadores, escavadoras de argila, picadores e extractores, arrancadores de rebites, bombas e muito mais.

A marca Chicago Pneumatic está associada a produtos poderosos e confiáveis que são fáceis de manter e que justificam o investimento.

Para mais informações, visite www.cp.com

Atlas Copco Construction Tools AB
105 23 Stockholm
Sweden

Acerca das instruções de segurança e operação

O objectivo destas instruções é fornecer-lhe todas as informações acerca de como utilizar o perfurador de rocha de uma forma eficiente e segura. As instruções dão, também, conselhos e indicações sobre como efectuar manutenções regulares ao perfurador de rocha.

Antes de utilizar o perfurador de rocha pela primeira vez, tem obrigatoriamente que ler estas instruções cuidadosamente e compreendê-las na sua totalidade.

Instruções de segurança

Para reduzir o risco de ferimentos graves ou morte, para si próprio ou para outros, leia e compreenda as instruções de Segurança e operação antes de instalar, operar, reparar, fazer manutenção ou mudar acessórios na máquina.

Afixe estas instruções de Segurança e operação nos locais de trabalho, forneça cópias aos empregados, e certifique-se de que todos lêem as instruções de Segurança e operação antes de operar a máquina, ou de prestar assistência à máquina.

Para além disso, o operador ou o empregador do operador deve avaliar os riscos específicos que podem estar presentes em resultado de cada utilização da máquina.

Palavras de avisos de segurança

As palavras de avisos de segurança Perigo, Atenção e Cuidado têm os seguintes significados:

PERIGO	Indica uma situação perigosa, a qual, se não for evitada, irá provocar a morte ou ferimentos graves.
ATENÇÃO	Indica uma situação perigosa, a qual, se não for evitada, poderá provocar a morte ou ferimentos graves.
CUIDADO	Indica uma situação perigosa, a qual, se não for evitada, poderá provocar ferimentos ligeiros ou moderados.

Precauções e habilitações pessoais

A operação ou manutenção da máquina só pode ser feita por pessoal com as habilitações e a formação necessárias. Este pessoal tem que ser fisicamente capaz de manusear o volume, o peso e a potência da ferramenta. Faça sempre uso do seu bom senso e da sua capacidade de avaliação das situações.

Equipamento pessoal de protecção

Use sempre equipamento de protecção aprovado. Os operadores, bem como todas as outras pessoas que se encontrem na zona de trabalho, devem usar equipamento de protecção, incluindo, no mínimo:

- > Capacete protector
- > Protecção auricular
- > Protecção para os olhos, resistente ao impacto e com protecção lateral
- > Protecção respiratória, quando necessário

- > Luvas protectoras
- > Botas protectoras adequadas
- > Fato de macaco de trabalho adequado, ou vestuário semelhante (não roupas largas) que cubra os braços e as pernas.

Drogas, álcool ou medicamentos

▲ ATENÇÃO Drogas, álcool ou medicamentos

Drogas, álcool ou medicamentos podem reduzir a sua capacidade de avaliação e de concentração. Reacções lentas e avaliações incorrectas podem provocar acidentes graves ou morte.

- ▶ Nunca use a máquina quando estiver cansado ou se tiver tomado drogas, álcool ou medicamentos.
- ▶ Ninguém que tenha tomado drogas, álcool ou medicamentos pode operar a máquina.

Instalação, precauções

▲ PERIGO Chicotada das mangueiras de ar

Um mangueira de ar comprimido que se solte pode causar ferimentos pessoais ou morte. Para reduzir este risco:

- ▶ Certifique-se de que as mangueiras de ar comprimido e as ligações não estão danificadas, e substitua-as se necessário.
- ▶ Certifique-se de que as mangueiras de ar comprimido e as ligações estão bem presas.
- ▶ Nunca transporte uma máquina pneumática segurando-a pela mangueira de ar.
- ▶ Nunca tente tirar uma mangueira de ar comprimido que esteja pressurizada. Primeiro, deve desligar a alimentação de ar comprimido directamente no compressor e, em seguida, deve purgar a máquina, activando o dispositivo de activação e desactivação.
- ▶ Não use ligações de desacoplamento rápido à entrada da ferramenta. Use peças de encaixe roscadas para mangueira, em aço endurecido (ou num material com uma resistência ao choque equivalente).
- ▶ Sempre que forem usadas ligações de acoplamento universal de torcer (ligações de acoplamento de gancho), recomendamos que sejam instalados pinos de travamento e que sejam usados cabos de segurança anti-chicoteamento como salvaguarda contra possíveis falhas da mangueira à máquina, ou de mangueira a mangueira.

▲ ATENÇÃO Ferramenta de inserção ejectada

Se o retentor da ferramenta na máquina não estiver na posição de travamento, a ferramenta inserida poderá ser ejectada com força, podendo provocar ferimentos pessoais.

- ▶ Nunca dê arranque à máquina enquanto estiver a mudar a ferramenta de inserção.
- ▶ Antes de mudar a ferramenta de inserção ou os acessórios, pare a máquina, desligue a alimentação e purgue a máquina, activando o dispositivo de arranque/paragem.
- ▶ Nunca aponte a ferramenta inserida para si próprio, nem para outra pessoa.
- ▶ Antes de dar arranque à máquina, certifique-se de que a ferramenta de inserção está totalmente inserida, e que o retentor da ferramenta está na posição de travamento.
- ▶ Verifique a função de travamento, puxando para fora com força a ferramenta inserida.

▲ ATENÇÃO Deslocação / desencaixe da ferramenta de inserção

As dimensões incorrectas do encabadouro da ferramenta inserida podem provocar a perda da ferramenta inserida, ou fazer com que ela se desencaixe durante a operação da máquina. Há o risco de ferimentos graves, ou de esmagamento de mãos e dedos.

- ▶ Verifique se as dimensões e o comprimento do encabadouro da ferramenta de inserção são correctos para o que a máquina está preparada.
- ▶ Nunca use uma ferramenta de inserção sem uma gola.

Operação, precauções

▲ PERIGO Perigo de explosão

Se uma ferramenta de inserção quente entrar em contacto com explosivos, poderá ocorrer uma explosão. Durante a operação com certos materiais, bem como o uso de certos materiais em peças da máquina, podem ocorrer faíscas e ignição. As explosões podem provocar ferimentos graves ou morte.

- ▶ Nunca opere a máquina num ambiente explosivo.
- ▶ Nunca use a máquina ao pé de materiais inflamáveis, vapores inflamáveis ou poeiras inflamáveis.
- ▶ Certifique-se de que não existem fontes de gás ou explosivos ocultos.
- ▶ Nunca faça perfurações num buraco antigo.

▲ ATENÇÃO Movimentos inesperados

A ferramenta inserida está exposta a grandes esforços quando a máquina está em utilização. A ferramenta inserida pode partir-se devido a fadiga, depois de um certo tempo de uso. Se ferramenta inserida se partir ou se ficar agarrada, pode haver movimentos súbitos e inesperados, que podem provocar ferimentos. Para além disso, se perder o equilíbrio ou escorregar, isso poderá provocar ferimentos.

- ▶ Certifique-se de que mantém sempre uma posição estável, com os pés afastados à distância dos seus ombros, e mantendo o peso do seu corpo sempre em equilíbrio.
- ▶ Inspeccione sempre o equipamento antes de o usar. Nunca use o equipamento se suspeitar que este se encontra danificado.
- ▶ Certifique-se de que as pegas estão limpas e sem massa consistente nem óleo.
- ▶ Mantenha os seus pés afastados da ferramenta inserida.
- ▶ Mantenha-se firmemente de pé e segure sempre a máquina com as duas mãos.
- ▶ Nunca faça perfurações num buraco antigo.
- ▶ Nunca arranque a máquina quando ela está deitada no chão.
- ▶ Nunca “ande a cavalo” na máquina com uma perna por cima da pega.
- ▶ Nunca bata na máquina nem lhe faça maus-tratos.
- ▶ Verifique regularmente se não há desgaste na ferramenta de inserção, e procure sinais de danos ou rachas visíveis.
- ▶ Preste atenção e olhe para aquilo que está a fazer.

▲ ATENÇÃO Perigo de perda de velocidade

Se a ferramenta de inserção ficar presa durante o funcionamento, todo o equipamento começará a girar se o utilizador perder o controlo. Esta rotação inesperada da máquina como um todo pode causar ferimentos graves ou morte.

- ▶ Fique de pé firmemente e segure sempre a máquina com as duas mãos.
- ▶ Certifique-se de que as pegas se encontram limpas e livres de massa consistente e óleo.
- ▶ Nunca faça perfurações num buraco antigo.

▲ ATENÇÃO Perigo de ficar preso

Se pegar ou tocar numa broca ou acessórios em rotação, corre o risco de ser puxado ou ficar preso pelo pescoço (se usar fio), pelo cabelo, pelas luvas e pela roupa. Isso pode causar asfixia, escaldamento, lacerações ou morte. Para reduzir o risco:

- ▶ Nunca pegar ou tocar numa broca em rotação.
- ▶ Evitar vestir roupas, fios ou luvas que possam prender.
- ▶ Cobrir cabelo longos com uma rede de cabelo.

▲ ATENÇÃO Perigos causados por poeiras e fumos

Poeiras e/ou fumos gerados ou dispersados quando a máquina é utilizada podem causar doenças respiratórias graves e permanentes, doenças ou outras lesões corporais (por exemplo silicose ou outras doenças irreversíveis dos pulmões que possam ser fatais, cancro, defeitos congénitos, e/ou inflamação da pele).

Algumas poeiras e fumos criados por perfuração, demolição, martelamento, serração, retificação e outras atividades de construção contêm substâncias reconhecidas pelo Estado da Califórnia e outras autoridades como sendo causadoras de doença respiratória, cancro, defeitos congénitos, ou outros danos de reprodução. Alguns exemplos dessas substâncias são:

- > A sílica cristalina, o cimento, e outros produtos de alvenaria.
- > Arsénico e crómio da borracha quimicamente tratada.
- > Chumbo de tintas com base de chumbo.

As poeiras e os fumos no ar podem ser invisíveis a olho nu, portanto não confie na visão para determinar se há fumos ou poeiras no ar.

Para reduzir o risco de exposição às poeiras e aos fumos, tome todas as ações seguintes:

- ▶ Faça uma avaliação de riscos específica do local de trabalho. A avaliação de riscos deverá incluir poeiras e fumos criados pela utilização da máquina, bem como o potencial para levantar poeiras já existentes.
- ▶ Use controlos de engenharia adequados, para reduzir ao mínimo as poeiras e os fumos no ar, e para minimizar a acumulação em equipamentos, superfícies, vestuário e partes do corpo. Exemplos de tais controlos incluem: sistemas de ventilação de saída e de recolha de poeira, pulverizações de água, e perfuração acompanhada de injeção de água. Controle poeiras e fumos na origem, sempre que possível. Certifique-se de que tais controlos estão corretamente instalados, em bom estado de manutenção, e que são corretamente usados.
- ▶ Ponha, faça a manutenção e use corretamente a proteção respiratória, conforme as instruções do seu empregador e conforme exigido pelos regulamentos de Saúde e Segurança. A proteção respiratória tem obrigatoriamente de ser eficaz para o tipo de substância em questão (e, se aplicável, tem que ser aprovada pela entidade governamental adequada).
- ▶ Trabalhe numa área bem ventilada.

- ▶ Se a máquina tiver um escape, dirija o escape por forma a reduzir a perturbação de poeiras num ambiente cheio de poeiras.
- ▶ Opere e faça a manutenção da máquina conforme recomendado nestas instruções de operação e segurança.
- ▶ Selecione, faça a manutenção e substitua consumíveis, ferramentas de inserção e outros acessórios conforme recomendado nas instruções de Operação e Segurança. A seleção incorreta ou a falta de manutenção de consumíveis, ferramentas de inserção e outros acessórios pode causar um aumento desnecessário das poeiras ou dos fumos.
- ▶ Utilize vestuário lavável ou descartável no seu local de trabalho, e tome um duche e vista roupas lavadas antes de deixar o local de trabalho para reduzir a sua exposição a poeiras e fumos, assim como a de outras pessoas, carros, casas, e outras áreas.
- ▶ Evite comer, beber e usar produtos de tabaco em áreas onde haja poeiras ou fumos.
- ▶ Lave bem as mãos e o rosto assim que possível depois de sair da área de exposição, e sempre antes de comer, beber, usar produtos de tabaco, ou entrar em contacto com outras pessoas.
- ▶ Cumpra todas as leis e regulamentos aplicáveis, incluindo os regulamentos de Saúde e Segurança no Trabalho.
- ▶ Participe na monitorização do ar, em programas de exames médicos, e em programas de formação em segurança oferecidos pelo seu empregador ou por organizações laborais, e de acordo com os regulamentos e recomendações de Saúde e Segurança no trabalho. Consulte um médico com experiência relevante em medicina do trabalho.
- ▶ Colabore com o seu empregador e com organizações laborais para reduzir a exposição a poeiras e fumos no local de trabalho e para reduzir os riscos. Com base no conselho de especialistas de Saúde e Segurança, deverão ser definidos e implementados programas, políticas e procedimentos eficazes de Saúde e Segurança para a proteção dos trabalhadores e de terceiros contra a exposição prejudicial a poeiras e fumos. Aconselhe-se com especialistas.
- ▶ Os resíduos de substâncias perigosas na máquina podem ser um risco. Antes de iniciar um trabalho de manutenção na máquina, limpe-a cuidadosamente.

▲ ATENÇÃO Projécteis

Uma falha da peça de trabalho, dos acessórios, ou até mesmo da própria máquina, pode gerar projécteis de alta velocidade. Durante a operação da máquina, as lascas ou quaisquer outras partículas do material de trabalho podem tornar-se projécteis e provocar ferimentos pessoais, atingindo o operador ou quaisquer outras pessoas. Para reduzir estes riscos:

- ▶ Use equipamento pessoal de protecção e capacete de segurança, incluindo protecção para os olhos que seja resistente ao impacto e que tenha protecção lateral.
- ▶ Certifique-se de que não há pessoas não autorizadas na zona de trabalho.
- ▶ Mantenha o local de trabalho livre de objectos estranhos.
- ▶ Certifique-se de que a peça de trabalho está fixada de forma segura.

▲ ATENÇÃO Risco de estilhaços

Se a ferramenta de inserção for usada como uma ferramenta de impacto manual, daí podem resultar estilhaços que atinjam o operador, podendo causar ferimentos pessoais.

- ▶ Nunca use uma ferramenta de inserção como uma ferramenta de impacto manual. São especialmente concebidas e tratadas a quente, e só podem ser usadas numa máquina.

▲ ATENÇÃO Riscos de escorregar, tropeçar e cair

Há o risco de escorregar ou tropeçar ou cair, por exemplo tropeçar nas mangueira ou noutros objectos. Escorregar ou tropeçar ou cair pode causar ferimentos. Para reduzir este risco:

- ▶ Certifique-se sempre de que não há nenhuma mangueira ou outros objectos no seu caminho ou no caminho de outra pessoa.
- ▶ Certifique-se sempre de que mantém uma posição estável, com os pés afastados à distância dos seus ombros, e mantendo o peso do corpo equilibrado.

▲ ATENÇÃO Riscos de movimento

Quando usar a máquina para executar actividades relacionadas com o trabalho, pode sentir desconforto nas mãos, braços, ombros, pescoço, ou outras partes do corpo.

- ▶ Adote uma postura confortável, ao mesmo tempo que mantém os pés bem apoiados e que evita posturas incómodas e em desequilíbrio.
- ▶ Mudar a postura durante a execução de tarefas prolongadas pode ajudar a evitar desconforto e fadiga.
- ▶ Em caso de sintomas persistentes ou recorrentes, consulte um profissional de saúde qualificado.

▲ ATENÇÃO Perigo de vibração

A utilização normal e correta da máquina expõe o operador a vibrações. A exposição regular e frequente à vibração pode provocar, contribuir para, ou agravar lesões ou doenças nos dedos, mãos, pulsos, braços, ombros e/ou nervos e circulação sanguínea ou outras partes do corpo do operador, incluindo lesões ou doenças debilitantes e/ou permanentes que se podem desenvolver gradualmente ao longo de um período de semanas, meses ou anos. Tais lesões ou distúrbios podem incluir danos nos sistemas circulatório e nervoso, lesões nas articulações, e possíveis danos noutras estruturas corporais.

Se sentir entorpecimento, desconforto recorrente persistente, sensação de queimadura, enrijecimento, latejar, formigueiros, dores, descoordenação, falta de força nas mãos, embranquecimento da pele, ou outros sintomas a qualquer altura quando utilizar a máquina, ou quando não a estiver a utilizar, não deve retomar a utilização da mesma e deve informar o seu empregador e consultar um médico. A utilização continuada da máquina após a ocorrência de tais sintomas pode aumentar o risco do agravamento e/ou permanência dos mesmos.

Faça a operação e manutenção da máquina conforme recomendado nestas instruções, para evitar um aumento desnecessário das vibrações.

Os seguintes passos podem ajudar a reduzir a exposição do operador às vibrações:

- ▶ Deixe a ferramenta fazer o trabalho. Faça o mínimo de força de aperto com as mãos: apenas o suficiente para garantir um bom controlo e a operação em segurança.
- ▶ Se a máquina tiver pegas absorvedoras de vibrações, mantenha-as numa posição central, evite pressionar as pegas nos batentes de extremo.
- ▶ Quando o mecanismo de percussão está ativado, a única parte do seu corpo que deve estar em contacto com a máquina são as suas mãos sobre a pega ou pegas. Evite qualquer outro contacto, como por exemplo, apoiar qualquer parte do corpo contra a máquina, ou inclinar-se sobre a máquina para tentar aumentar a força de avanço. É também importante que não tenha o dispositivo de arranque e paragem ativado enquanto tirar a ferramenta da superfície de trabalho partida.

- ▶ Certifique-se de que a ferramenta inserida está em bom estado de manutenção (incluindo se está afiada, se for uma ferramenta de corte), não está desgastada, e é do tamanho correto. Quando as ferramentas de inserção não estão em bom estado de manutenção, ou estão desgastadas, ou não possuem o tamanho correto, então irá precisar de mais tempo para completar a tarefa (e um maior período de exposição a vibrações), o que pode originar ou contribuir para níveis mais elevados de exposição a vibrações.
- ▶ Pare imediatamente de trabalhar se a máquina começar de repente a vibrar fortemente. Antes de voltar ao trabalho, certifique-se de que encontrou e corrigiu a causa do aumento de vibrações.
- ▶ Nunca agarre, pegue, nem toque na ferramenta inserida enquanto a máquina estiver a trabalhar.
- ▶ Participe na vigilância ou monitorização do estado de saúde, em exames médicos e em programas de formação oferecidos pelo seu empregador, e quando exigido por lei.
- ▶ Quando trabalhar em condições de tempo frio, vista roupa quente e mantenha as mãos quentes e secas.
- ▶ O ar de exaustão é extremamente frio e não deve entrar em contacto com o operador. Afaste sempre o ar da exaustão das mãos e do corpo.

Veja a “Declaração de ruído e vibração” da máquina, incluindo os valores declarados de vibrações. Estas informações estão no final destas instruções de Segurança e Operação.

- ◆ Siga as recomendações em termos de pressão de ar ao operar o equipamento. Tanto uma pressão de ar excessiva como insuficiente têm o potencial de resultar em elevados níveis de vibração.

▲ PERIGO Perigo eléctrico

A máquina não tem isolamento eléctrico. Se a máquina entrar em contacto com fontes de electricidade, isso pode provocar ferimentos graves ou morte.

- ▶ Nunca opere a máquina ao pé de qualquer cabo eléctrico, ou de outra fonte de electricidade.
- ▶ Certifique-se de que não existem cabos ocultos, ou quaisquer outras fontes de electricidade, na área de trabalho.

▲ ATENÇÃO Perigo de objectos ocultos

Durante a operação, os cabos e tubos ocultos constituem um perigo que pode provocar ferimentos graves.

- ▶ Verifique a composição do material, antes de começar a usar a máquina.
- ▶ Tenha cuidado com cabos e tubos ocultos, por exemplo, de electricidade, telefone, água, gás, esgotos, etc.
- ▶ Se lhe parecer que a ferramenta inserida atingiu um objecto oculto, desligue a máquina imediatamente.
- ▶ Antes de voltar ao trabalho, certifique-se de que não há qualquer perigo.

▲ ATENÇÃO Arranque involuntário

O arranque involuntário da máquina pode provocar ferimentos.

- ▶ Mantenha as mãos longe do dispositivo de arranque e paragem até estar pronto para dar arranque à máquina.
- ▶ Aprenda a como desligar a máquina em caso de emergência.
- ▶ Solte imediatamente o dispositivo de arranque/paragem em todos os casos de interrupção de alimentação.
- ▶ Sempre que montar ou desmontar a ferramenta de inserção, desligue a alimentação de ar comprimido, purgue a máquina activando o dispositivo de arranque/paragem, e remova a alimentação da máquina.

▲ ATENÇÃO Perigo de ruído

Níveis de ruído altos podem causar perda de audição permanente ou deficiência na audição, bem como outros problemas tais como tinnitus (campainhas, zumbidos, apitos ou barulhos surdos nos ouvidos). Para reduzir o risco e prevenir um aumento desnecessário nos níveis de ruído:

- ▶ É essencial a avaliação de risco destes perigos e a implementação de controlos adequados.
- ▶ Opere e faça a manutenção da ferramenta conforme recomendado nestas instruções.
- ▶ Selecione, faça a manutenção e substitua a ferramenta de inserção conforme recomendado nestas instruções.
- ▶ Se a máquina tiver um silenciador, certifique-se de que está aplicado e que está em boas condições de funcionamento.
- ▶ Use sempre protecção para os ouvidos.
- ▶ Use material de amortecimento para evitar que as peças de trabalho “toquem” como uma campainha.

Manutenção, precauções

▲ ATENÇÃO **Modificação da máquina**

As modificações feitas à máquina poderão resultar em danos físicos para si ou terceiros.

- ▶ Nunca faça modificações à máquina. Máquinas modificadas não estão cobertas pela garantia nem pela responsabilidade do produto.
- ▶ Use sempre peças, ferramentas de inserção e acessórios originais.
- ▶ Mude imediatamente quaisquer peças danificadas.
- ▶ Substitua os componentes desgastados atempadamente.

▲ CUIDADO **Ferramenta de inserção quente**

A ponta da ferramenta de inserção pode ficar quente e afiada quando está a ser usada. Se lhe tocar, pode sofrer queimaduras e cortes.

- ▶ Nunca toque numa ferramenta de inserção quente ou afiada.
- ▶ Espere até que a ferramenta de inserção tenha arrefecido, antes de fazer tarefas de manutenção.

▲ ATENÇÃO **Riscos da ferramenta de inserção**

Se a alimentação estiver ligada à máquina, a activação acidental do dispositivo de arranque/paragem durante a manutenção ou instalação pode causar ferimentos graves.

- ▶ Nunca inspeccione, limpe, instale ou desmonte a ferramenta de inserção quando a alimentação estiver ligada à máquina.

Armazenamento, precauções

- ◆ Guarde a máquina e as ferramentas num local seguro, fora do alcance de crianças e trancado.

Visão geral

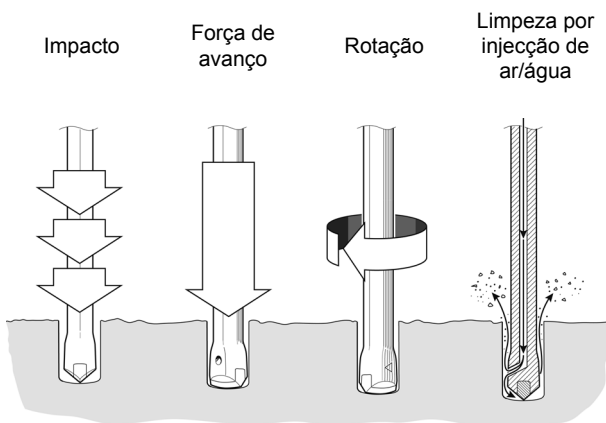
Para reduzir o risco de ferimentos graves ou morte para si ou para terceiros, antes de usar a máquina leia a secção das Instruções de Segurança, que está nas páginas anteriores deste manual.

Concepção e função

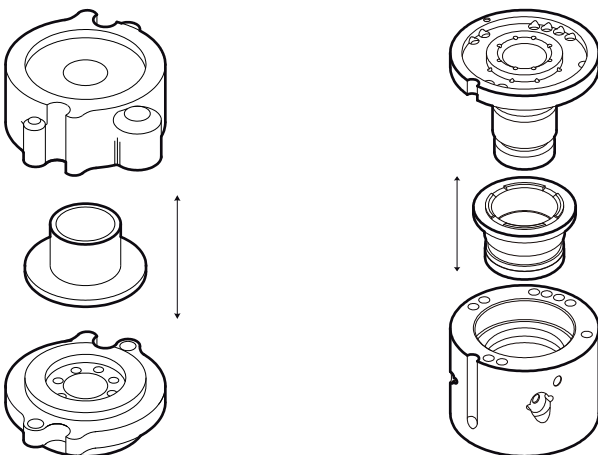
O CP 0022, CP 0032 e CP 0069 são perfuradores de rocha pneumáticos concebidos para perfuração vertical, perfuração de furos para tampões e perfuração em betão, para aplicações em construção e exploração mineira. Nenhuma outra utilização é permitida.

Para escolher as ferramentas de inserção correctas, contacte o seu concessionário local Chicago Pneumatic.

Princípio de funcionamento de um perfurador de rocha

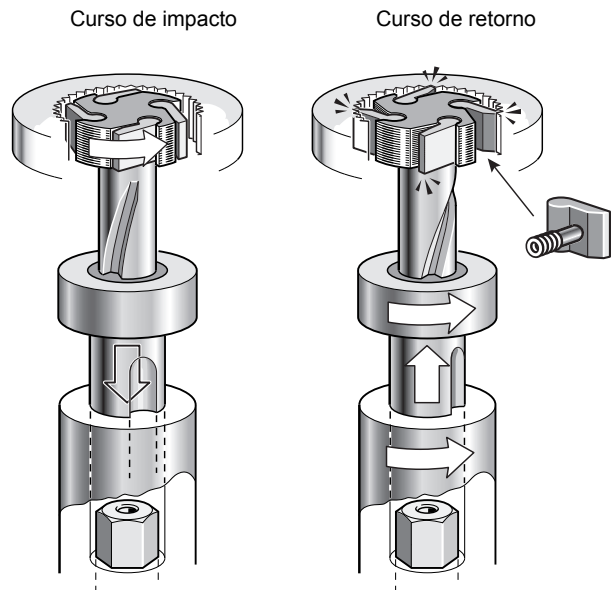


Mecanismo de controlo da válvula



A válvula direcciona o ar alternadamente de um lado para o outro do êmbolo, para que este se mova para cima e para baixo. O êmbolo transmite a energia através da broca de aço para o fundo do furo.

Mecanismo de rotação

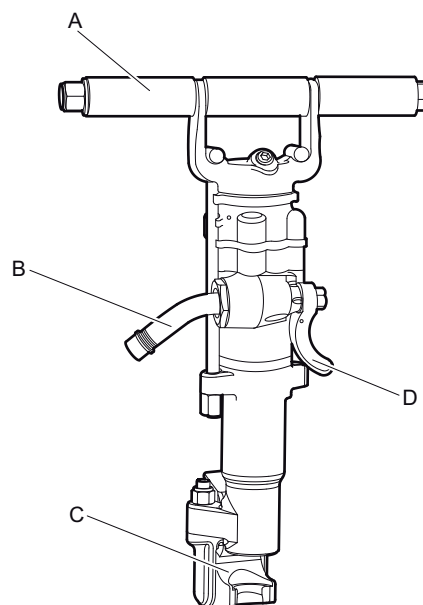


A broca de aço é feita rodar ligeiramente com cada impacto, pela rotação da barra raizada. A rotação é no sentido contrário aos ponteiros do relógio e é aplicada no curso de retorno do êmbolo.

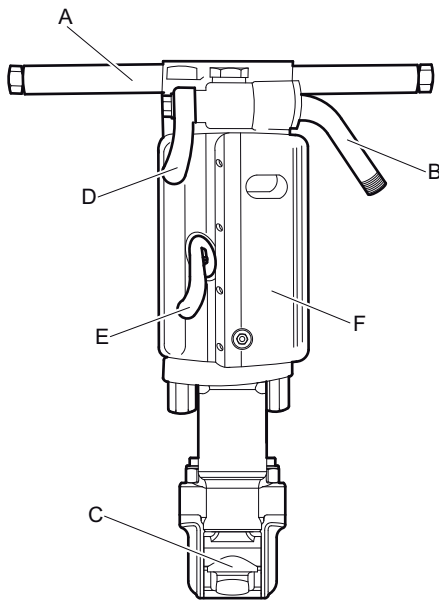
Limpeza por injeção de ar/água

A limpeza por injeção de ar/água é conduzida através de um furo no êmbolo. Isto significa que a limpeza por injeção de ar/água ocorre assim que o ar comprimido é ligado.

Peças principais



CP 0022 KL



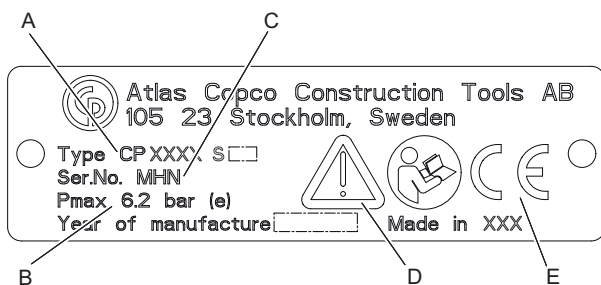
CP 0032, CP 0069

- A. Pega
- B. Bocal de entrada de ar
- C. Retentor da broca de aço
- D. Alavanca de aceleração
- E. Alavanca de descarga de ar adicional
- F. Silenciador (opcional)

Autocolantes

A máquina está equipada com autocolantes que mostram informação importante sobre a segurança pessoal do operador e a manutenção da máquina. Os autocolantes devem estar em boas condições que permitam a sua leitura com facilidade. Novos autocolantes podem ser encomendados a partir da lista de peças sobressalentes.

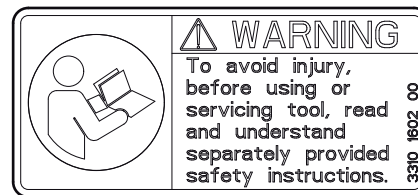
Placa de dados



- A. Tipo de máquina
- B. Pressão máxima permitida de ar comprimido
- C. Número de série

- D. O símbolo de atenção, juntamente com o símbolo de livro, significa que o utilizador tem que ler as instruções de segurança e operação antes de poder utilizar o equipamento pela primeira vez.
- E. O símbolo CE significa que a máquina está aprovada pela CE. Consulte a Declaração CE que é fornecida com o equipamento para obter mais informações. Se o símbolo CE não estiver presente, isso significa que a máquina não está aprovada pela CE.

Autocolante de segurança



Para evitar ferimentos, antes de operar ou fazer manutenção na ferramenta, leia e compreenda as instruções de segurança, fornecidas em separado.

Instalação

Desembalar o perfurador

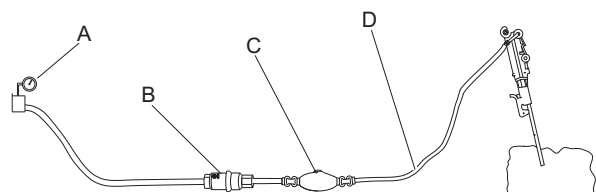
Protecções de plástico

Antes de o perfurador poder ser utilizado pela primeira vez, tire todas as protecções de plástico dos bocais das mangueiras.

Lubrificar

Depois de desembalar e instalar a ferramenta, despeje uma quantidade abundante de óleo de lubrificação na ligação de ar.

Mangueiras e ligações



- A. Fonte de ar comprimido
- B. Separador de água (opcional)
- C. Lubrificador (opcional)
- D. Máx. de 10 feet (3 metros) de mangueira de ar comprimido entre o lubrificador e o equipamento.

- ◆ Certifique-se de que está a utilizar a pressão de operação correcta e recomendada, 87 psig (6 bar (e)).
- ◆ A máxima pressão de ar permitida, 90 psig (6,2 bar (e)), não pode nunca ser excedida.
- ◆ Sobre quaisquer impurezas da mangueira de ar comprimido antes de a ligar ao equipamento.
- ◆ Seleccione a dimensão e o comprimento correctos para a mangueira de ar comprimido. Para comprimentos até 100 feet (30 metros), deverá ser utilizada uma mangueira com um diâmetro interno mínimo de $\frac{3}{4}$ in. (19 mm). Caso o comprimento da mangueira seja entre 100 e 330 feet (30 e 100 metros), deverá ser utilizada uma mangueira com um diâmetro interno mínimo de 1 in. (25 mm).

Métodos para evitar o congelamento

Pode ocorrer a formação de gelo no silenciador quando a temperatura ambiente for de 0-10°C (32-50 °F) e a humidade relativa for elevada.

A máquina está concebida para evitar a formação de gelo no silenciador. Apesar desta situação, e sob condições extremas, poderá haver a formação de gelo no silenciador.

Tome as seguintes medidas para diminuir o risco de formação de gelo:

- ◆ Use um óleo para martelo perfurador de rocha.
- ◆ Use um separador de água.

Conectar o separador de água

O comprimento da mangueira de ar entre o compressor e o separador de água tem de permitir que o vapor de água arrefeça e condense na mangueira antes de atingir o separador de água.

Se a temperatura ambiente for abaixo dos 32°F (0°C), a mangueira tem de ser suficientemente curta para prevenir que a água congele antes de atingir o separador de água.

Lubrificação

O lubrificante é importante para o funcionamento da máquina e tem um grande impacto na vida útil do equipamento. Deve ligar um lubrificador à mangueira de ar, para fornecer o volume correcto de óleo. Recomenda-se a utilização do lubrificador de linha de ar da Chicago Pneumatic. Para garantir

uma boa lubrificação, o comprimento da mangueira de ar entre o lubrificador e a ferramenta pneumática não deve exceder os 10 feet (3 m).

Demasiado lubrificante pode causar problemas de arranque, baixa potência ou desempenho irregular.

Lubrificante recomendado: Óleo para martelo perfurador de rocha, com uma viscosidade de 100-150 SUS a 100 °F (ISO VG 22-32).

Broca de aço

▲ ATENÇÃO Ferramenta de inserção ejectada

Se o retentor da ferramenta na máquina não estiver na posição de travamento, a ferramenta inserida poderá ser ejectada com força, podendo provocar ferimentos pessoais.

- ▶ Antes de mudar a ferramenta de inserção, pare a máquina, desligue o fornecimento de ar comprimido e purgue o equipamento activando o dispositivo de arranque/paragem.

Antes de colocar a broca de aço

Verifique se o encabadouro da ferramenta tem a dimensão e o comprimento correctos para o casquilho a ser utilizado. O encabadouro tem que estar limpo e a ferramenta tem que estar em boas condições. Os encabadouros que estiverem lascados, arredondados, desenquadrados e demasiado rígidos na extremidade de impacto irão funcionar de forma ineficiente e causar falhas prematuras do êmbolo.

Inspeccione a broca de aço:

Uma broca de aço lenta irá abrandar a velocidade de perfuração e esforçar demasiado o mecanismo de perfuração. Quando mudar a broca de aço certifique-se de que a nova tem a dimensão correcta para continuar a sua perfuração anterior.

Antes de começar a perfuração, verifique se o orifício de limpeza por injeção de ar/água da broca de aço não está bloqueado.

▲ CUIDADO Ferramenta de inserção quente

A ponta da ferramenta de inserção pode ficar quente e afiada quando está a ser usada. Se lhe tocar, pode sofrer queimaduras e cortes.

- ▶ Nunca toque numa ferramenta de inserção quente ou afiada.
- ▶ Espere até que a ferramenta de inserção tenha arrefecido, antes de fazer tarefas de manutenção.

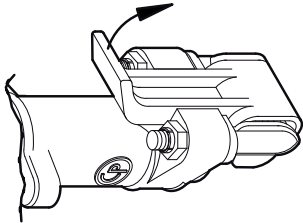
AVISO Nunca use água para arrefecer uma ferramenta de inserção quente, porque isso pode tornar a ferramenta quebradiça e levá-la a falhar antes do tempo.

Colocar a broca de aço

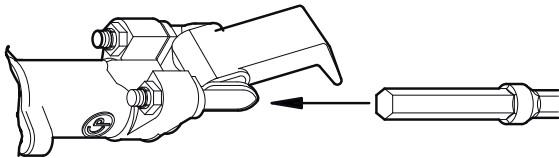
CP 0022 KL, CP 0032, CP 0069

Sempre que colocar a broca de aço, tem obrigatoriamente que cumprir as seguintes instruções:

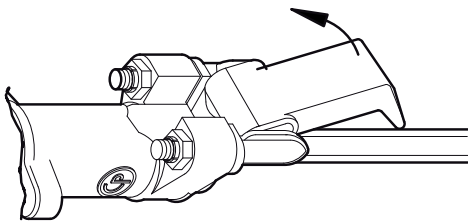
1. Empurre o retentor para dentro na direcção da seta até que a parte da frente do retentor consiga acomodar o aro da broca de aço.



2. Insira a broca de aço no casquilho.



3. Quando a broca bater no fundo, empurre o retentor para trás de modo a trancá-lo

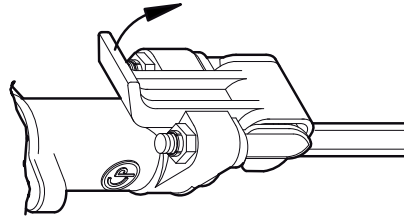


Remover a broca de aço

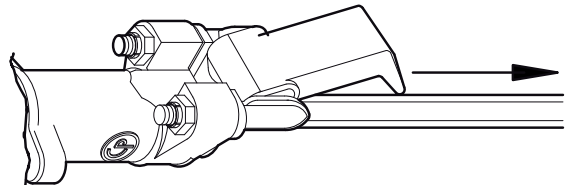
CP 0022 KL, CP 0032, CP 0069

Sempre que remover a broca de aço, tem obrigatoriamente que cumprir as seguintes instruções:

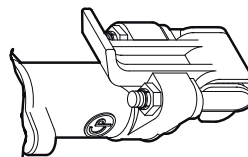
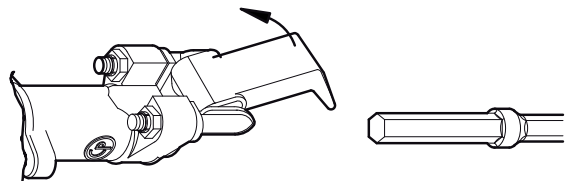
1. Empurre o retentor para dentro na direcção da seta até que o aro da broca de aço se liberte da parte da frente do retentor.



2. Puxe a broca de aço para fora.



3. Empurre o retentor para trás.

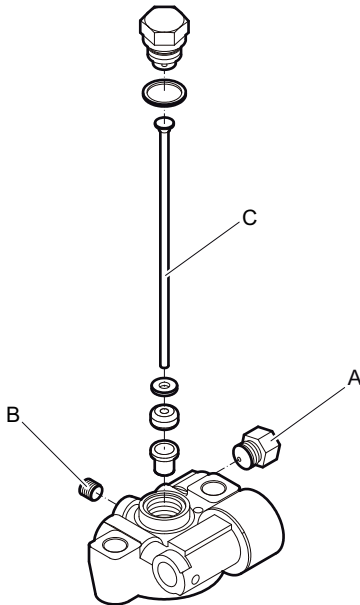


Perfuração molhada

Antes de converter para perfuração molhada

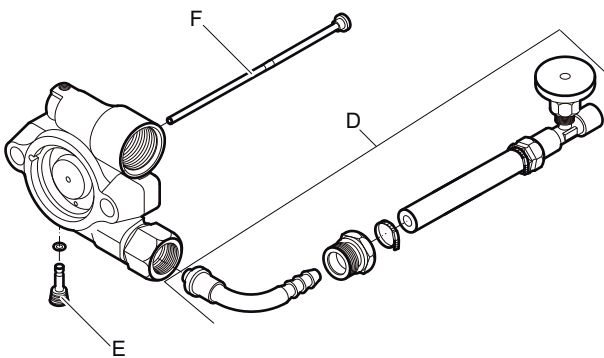
Antes de converter o martelo perfurador de rocha para perfuração molhada, desligue sempre a alimentação de ar e purgue a máquina, carregando para isso na pega de aceleração. Depois, remova a mangueira de ar do equipamento.

Converter para perfuração molhada



Só para CP 0032 e CP 0069

1. Desenrosque o tampão (A) da ligação de água.
2. Desenrosque o tampão (B) da cabeça traseira.
3. Remova o tubo de ar (C) da cabeça traseira.



Só para CP 0032 e CP 0069

1. Monte o kit de conversão para água (D) e ligue-o à ligação de água.
2. Enrosque o tampão (E) na cabeça traseira.
3. Volte a pôr o tubo de água (F) na cabeça traseira.

Operação

⚠ ATENÇÃO Arranque involuntário

O arranque involuntário da máquina pode provocar ferimentos.

- ▶ Mantenha as mãos longe do dispositivo de arranque e paragem até estar pronto para dar arranque à máquina.
- ▶ Aprenda a como desligar a máquina em caso de emergência.
- ▶ Pare a máquina imediatamente em todos os casos de interrupção de alimentação.

Preparações antes de arrancar

Verifique o equipamento de perfuração

- ◆ Verifique se todo o equipamento de perfuração está em boas condições de funcionamento.
- ◆ Verifique se a superfície de impacto do encabadouro da broca de aço está lisa, sem sinais de desgaste.
- ◆ Certifique-se de que a entrada de ar e as portas de escape estão livres de obstruções.
- ◆ Certifique-se de que os orifícios de limpeza por injeção de ar/água da broca de aço e do trépano não estão obstruídos, e que o ar/água de limpeza correm sem impedimentos.
- ◆ Certifique-se de que o filtro de ar (localizado no bocal de ar) está limpo e que não está rasgado nem distorcido.
- ◆ Certifique-se de que os acessórios estão bem fixados e à prova de fugas.

⚠ PERIGO Chicotada das mangueiras de ar

Um mangueira de ar comprimido que se solte pode causar ferimentos pessoais ou morte

- ▶ Certifique-se de que as mangueiras de ar comprimido e as ligações não estão danificadas.
- ▶ Certifique-se de que as mangueiras de ar comprimido e as ligações estão bem presas.

Faça uma descarga de ar pela mangueira de ar

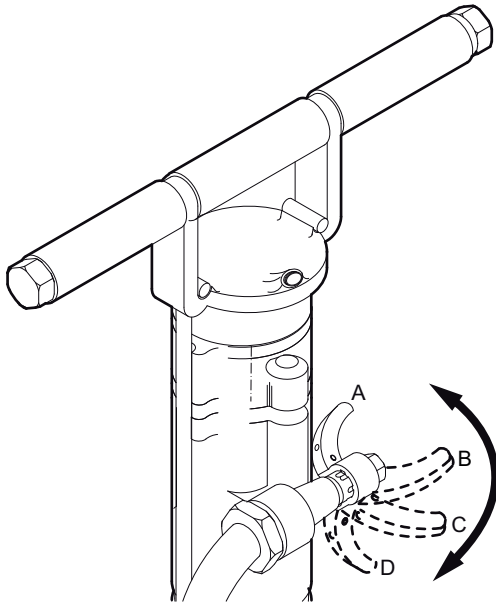
- ◆ Diariamente, antes de utilizar o martelo perfurador, faça uma descarga de ar pela mangueira de ar, para a limpar de qualquer sujidade e humidade acumuladas.

Encha o lubrificador com óleo

- ◆ Certifique-se de que o casquilho e o encabadouro da broca de aço estão sempre cobertos por uma película de óleo.

Controlos

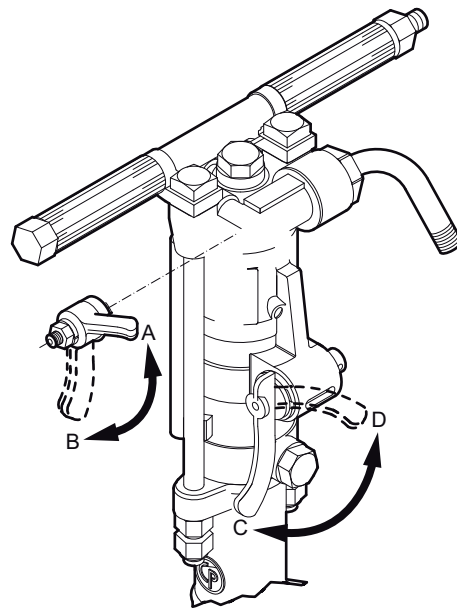
Alavanca de aceleração



CP 0022 KL

O martelo perfurador de rocha vem equipado com uma alavanca de aceleração para regular o ar comprimido para o mecanismo de percussão.

- ◆ Válvula de aceleração fechada (posição de paragem) (A).
- ◆ Só limpeza por descarga de ar (B).
- ◆ Alavanca de aceleração meio aberta (C).
- ◆ Alavanca de aceleração toda aberta (D).



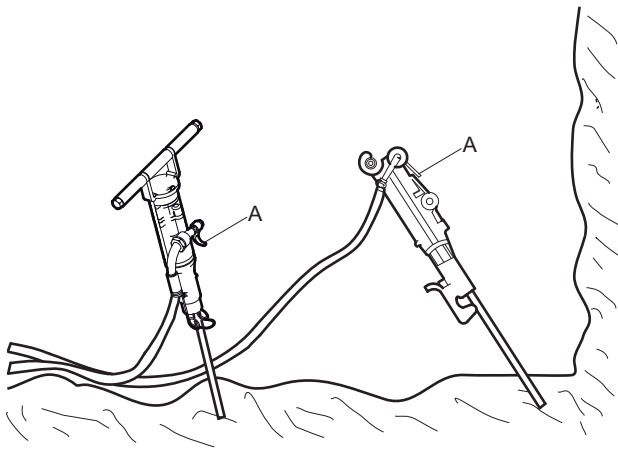
CP 0032 e CP 0069

O martelo perfurador de rocha vem equipado com uma alavanca de aceleração para regular o ar comprimido para o mecanismo de percussão, e com uma alavanca de descarga de ar para limpeza por descarga de ar adicional.

- ◆ Válvula de aceleração fechada (posição de paragem) (A). Só limpeza por descarga de ar.
- ◆ Alavanca de aceleração toda aberta (B).
- ◆ Válvula de descarga de ar fechada (posição de paragem) (C).
- ◆ Válvula de descarga de ar toda aberta (D).

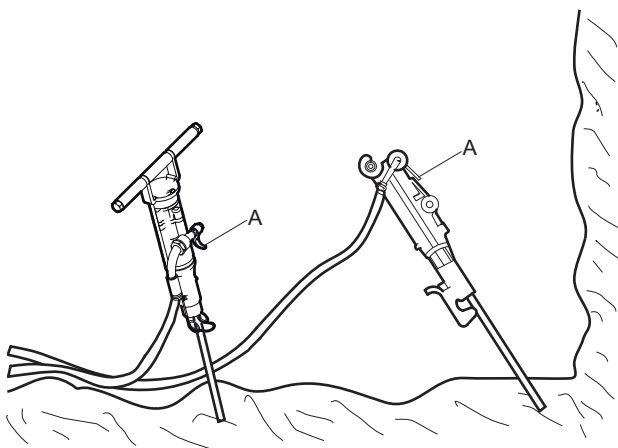
Arranque e paragem

Dar arranque ao martelo perfurador de rocha



1. Abra a válvula principal de ar comprimido.
2. Alinhe o martelo perfurador de rocha de modo a que a broca de aço toque no ponto de martelamento pretendido.
3. Mova a alavanca de aceleração (A) um pouco para a frente, o que irá começar a percussão e a rotação.
4. Martele o orifício com uma força de avanço reduzida.
5. Mova a alavanca de aceleração (A) toda para a frente assim que a broca de aço tiver ganho uma base segura na rocha.

Parar o martelo perfurador de rocha



1. Puxe a alavanca do acelerador (A) para trás, para a posição de fechado, o que irá parar a percussão e a rotação.

Funcionamento

Perfurar

- ◆ Utilize sapatos, luvas e capacete de protecção, protectores de ouvidos e protecção para os olhos resistente ao impacto, com protecção lateral.
- ◆ Fique de pé firmemente e segure sempre a máquina com as duas mãos.
- ◆ Empurre a ferramenta inserida com firmeza contra a superfície de trabalho antes de pôr a máquina a trabalhar.

Ao fazer uma pausa

- ◆ Durante todas as pausas, terá de pôr a máquina numa posição em que não haja risco de arranque acidental. Certifique-se de que põe a máquina no chão, de maneira a que não possa cair.
- ◆ Na eventualidade de um intervalo de maior duração ou quando sair do local de trabalho: desligue a alimentação e, em seguida, purgue a máquina, activando o dispositivo de arranque/paragem.

Manutenção

Fazer manutenção regular à máquina é essencial para que a máquina possa continuar a ser utilizada com eficiência e em segurança. Siga cuidadosamente as instruções de manutenção.

- ◆ Antes de começar a manutenção da máquina, limpe-a para evitar exposição a substâncias perigosas. Veja “Perigos de poeiras e fumos”
- ◆ Utilize só peças autorizadas. Quaisquer danos ou mau funcionamento causados pela utilização de peças não autorizadas não estão cobertos pela Garantia ou pela Responsabilidade Legal do Produto.
- ◆ Quando limpar peças mecânicas com solvente, cumpra os regulamentos apropriados de Saúde e Segurança, e certifique-se de que há ventilação suficiente.
- ◆ Para fazer uma grande revisão/reparação à máquina, contacte a sua oficina autorizada mais próxima.
- ◆ Depois de cada assistência, certifique-se de que o nível de vibração da máquina é normal. Se não for, contacte a sua oficina autorizada mais próxima.

Diariamente

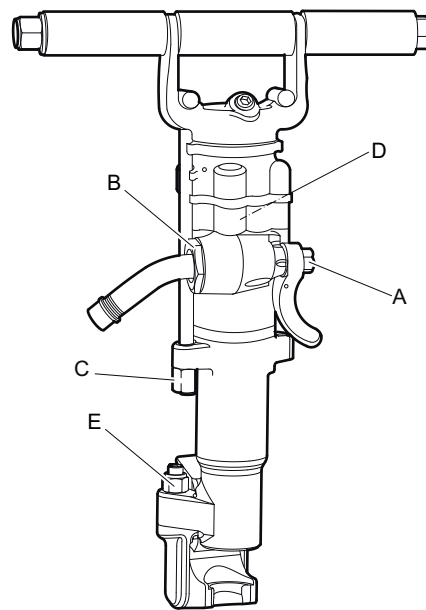
Em máquinas pneumáticas, antes de efectuar qualquer tarefa de manutenção ou de mudança da ferramenta de inserção, desligue sempre a alimentação de ar e purgue o equipamento, pressionando para isso o dispositivo de activação e desactivação e, em seguida, remova a mangueira hidráulica do equipamento.

- ◆ Limpe e inspecione a máquina e o respectivo funcionamento todos os dias, antes de começar o trabalho.
- ◆ Faça uma inspecção geral, procurando fugas e danos.
- ◆ Verifique se o bocal de entrada de ar está bem apertado, e se o acoplamento de gancho não está danificado.
- ◆ Verifique o funcionamento da pega do acelerador. Certifique-se de que se move livremente para cima e para baixo.
- ◆ Verifique o funcionamento do retentor. Certifique-se de que o retentor trava a broca de aço.
- ◆ Mude imediatamente quaisquer peças danificadas.
- ◆ Substitua atempadamente os componentes desgastados.
- ◆ Verifique os parafusos estruturais da máquina. Certifique-se de que os parafusos estão bem apertados.
- ◆ Se a máquina estiver equipada com um silenciador, certifique-se de que não está danificado.

Manutenção periódica

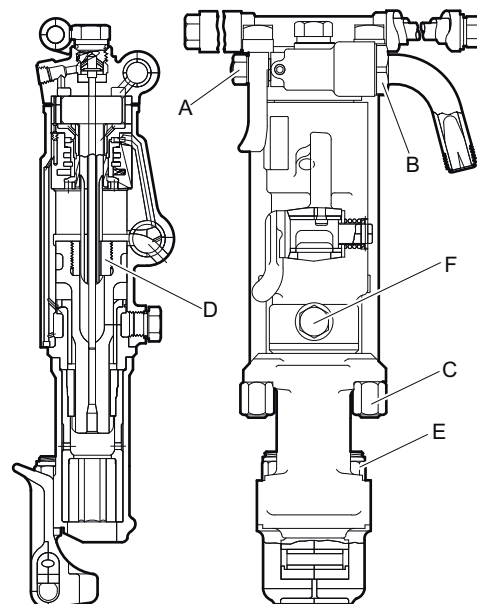
Após cada período de funcionamento de aproximadamente 100 horas de trabalho, ou três vezes por ano, a máquina tem que ser desmontada, e todas as peças limpas e verificadas. Este trabalho tem que ser realizado por pessoal autorizado e qualificado para o efeito.

Binário de aperto



CP 0022 KL

- A. Porca, 70-80 ft.lbf (95-108 Nm)
- B. Porca de entrada de ar, 110-120 ft.lbf (149-163 Nm)
- C. Porca do parafuso atravessado, 90-100 ft.lbf (122-136 Nm)
- D. Porca raiada, 200-225 ft.lbf (271-305 Nm)
- E. Porca, 100-110 ft.lbf (136-149 Nm)



CP 0032, CP 0069

- A. Porca, 35-40 ft.lbf (47-54 Nm)
- B. Porca de entrada de ar, 125-150 ft.lbf (169-203 Nm)
- C. Porca do parafuso atravessado, 110-120 ft.lbf (149-163 Nm)
- D. Porca raiada, 200-225 ft.lbf (271-305 Nm)
- E. Porca, 100-110 ft.lbf (136-149 Nm)
- F. Tampão de óleo, 90-100 ft.lbf (122-136 Nm)

Abate

Uma máquina abatida deve ser tratada e eliminada de maneira a que maior parte possível do seu material possa ser reciclada, e que qualquer influência negativa sobre o meio-ambiente seja mantida ao nível mais baixo possível, e em conformidade com as restrições locais.

Padrões de danos

As peças gastas ou partidas devem, sempre, ser estudadas cuidadosamente antes de serem substituídas. Estas podem dar informações importantes acerca do estado de conservação do martelo perfurador e da forma como este é utilizado e mantido.

Problema	Causa
As peças de aço apresentam uma cor azulada	As peças foram sujeitas a um calor excessivo. Isto pode ser causado por uma lubrificação insuficiente ou por funcionamento em marcha lenta
As peças de aço têm pequenas fissuras, quase microscópicas, nas superfícies de desgaste	Veja acima
Cavidades irregulares na superfície das peças de bronze	Veja acima
Marcas de cortes	Dano secundário Sujidade dentro da broca
	Alinhamento interior incorrecto devido a uma tensão irregular dos parafusos laterais

Armazenamento

- > Lubrifique sempre devidamente o martelo perfurador de rocha antes de o armazenar.
- > Armazene sempre o equipamento num lugar limpo e seco.
- > Certifique-se de que nenhuns corpos estranhos entram no equipamento.
- > Proteja o casquilho utilizando o obturador plástico fornecido com o equipamento. Em alternativa, utilize um obturador de madeira ou um pedaço de desperdício de algodão limpo.
- > No caso de armazenamento de longo prazo, deite um pouco de óleo directamente na entrada de ar do martelo perfurador de rocha, e depois ligue o ar durante breves instantes. Isso irá proteger o equipamento contra a corrosão.

Dados técnicos

Dados da máquina

Modelo	Referência	Diâmetro do êmbolo in. (mm)	Comprimento do curso in. (mm)	Comprimento geral in. (mm)	Peso lb (kg)	Dimensão do encabadouro in. (mm)
CP 0022 KL 7/8" x 3 1/4"	8900 0020 01	2 3/8 (60)	1 1/4 (44)	18 3/4 (475)	32 (14,7)	7/8 x 3 1/4 (22 X 82,5)
CP 0022 KL 7/8" x 4 1/4"	8900 0020 02	2 3/8 (60)	1 1/4 (44)	19 9/16 (500)	33 (14,9)	7/8 x 4 1/4 (22 x 108)
CP 0032 A 7/8" x 3 1/4"	T022318	2 5/8 (67)	2 (51)	22 (559)	54 (24,5)	7/8 x 3 1/4 (22 X 82,5)
CP 0032 A 7/8" x 4 1/4"	T022117	2 5/8 (67)	2 (51)	23 (584)	54 (24,5)	7/8 x 4 1/4 (22 x 108)
CP 0032 AS 7/8" x 4 1/4"	T025431	2 5/8 (67)	2 (51)	23 (584)	54 (24,5)	7/8 x 4 1/4 (22 x 108)
CP 0032 A 1" x 4 1/4"	T022319	2 5/8 (67)	2 (51)	23 (584)	54 (24,5)	1 x 4 1/4 (25 x 108)
CP 0069 7/8" x 4 1/4"	T006661	2 3/4 (70)	2 5/8 (67)	24 1/2 (622)	64 (29,1)	7/8 x 4 1/4 (22 x 108)
CP 0069 1" x 4 1/4"	T022259	2 3/4 (70)	2 5/8 (67)	24 1/2 (622)	64 (29,1)	1 x 4 1/4 (25 x 108)
CP 0069 WET 7/8" x 4 1/4"	T025423	2 3/4 (70)	2 5/8 (67)	24 1/2 (622)	64 (29,1)	7/8 x 4 1/4 (22 x 108)

Modelo	Consumo de ar (6 bar) foot ³ /min (l/s)	Frequência de impacto (6 bar) Hz	Diâmetro do orifício in. (mm)
CP 0022 KL 7/8" x 3 1/4"	56 (22)	37	≤1 1/2 (≤38)
CP 0022 KL 7/8" x 4 1/4"	56 (22)	37	≤1 1/2 (≤38)
CP 0032 A 7/8" x 3 1/4"	103 (48)	37	≤2 (≤50)
CP 0032 A 7/8" x 4 1/4"	103 (48)	37	≤2 (≤50)
CP 0032 AS 7/8" x 4 1/4"	103 (48)	37	≤2 (≤50)
CP 0032 A 1" x 4 1/4"	103 (48)	37	≤2 (≤50)
CP 0069 7/8" x 4 1/4"	130 (61)	32	≤2 1/2 (≤62,5)
CP 0069 1" x 4 1/4"	130 (61)	32	≤2 1/2 (≤62,5)
CP 0069 WET 7/8" x 4 1/4"	130 (61)	32	≤2 1/2 (≤62,5)

Declaração de ruído e vibração

Nível de ruído garantido **L_w** de acordo com a EN ISO 3744 e em conformidade com a directiva 2000/14/CE.
Nível de pressão sonora **L_p** de acordo com a EN ISO 11203.

Valores das vibrações **A** e incerteza **B** determinado de acordo com EN ISO 20643. Ver a tabela “Dados de ruído e vibração” para os valores de A, B, etc.

Estes valores declarados foram obtidos por meio de ensaios laboratoriais de acordo com a directiva ou as normas declaradas e são adequados para comparação com os valores declarados de outras ferramentas testadas de acordo com as mesmas directivas ou normas. Estes valores declarados não são adequados para utilização em avaliações de risco, e os valores medidos em locais de trabalho individuais podem ser mais elevados. Os valores reais de exposição e o risco para o utilizador individual são únicos e dependem do modo como o utilizador trabalha, do material em que o equipamento é utilizado, bem como do tempo de exposição e do estado físico do utilizador, e das condições da máquina.

Nós, na Atlas Copco Construction Tools AB, não podemos ser considerados responsáveis pelas consequências de usar os valores declarados em vez de valores que reflectam a exposição real na avaliação de riscos pessoais numa situação de trabalho sobre a qual não temos qualquer controlo.

Esta ferramenta poderá provocar síndrome de vibração da mão-braço, se a respectiva utilização não for gerida correctamente. Pode ser encontrada uma guia da CE para gerir a vibração da mão-braço em <http://www.humanvibration.com/humanvibration/EU/VIBGUIDE.html>

Recomendamos um programa de supervisão médica para detectar atempadamente possíveis sintomas que possam estar relacionados com a exposição a vibrações, permitindo modificar os procedimentos de gestão para ajudar a evitar uma futura deficiência.

Dados sobre o ruído e vibrações

Modelo	Ruído		Vibração	
	Valores declarados		Valores declarados	
	Pressão sonora	Potência sonora	Valores dos três eixos	
	EN ISO 11203	2000/14/CE	EN ISO 20643	
	L_p r=1m dB(A) rel 20µPa	L_w garantido dB(A) rel 1pW	A m/s ² valor	B m/s ² dispersões
CP 0022 KL 7/8" x 3 1/4"	106	116	25,7	3,0
CP 0022 KL 7/8" x 4 1/4"	106	116	25,7	3,0
CP 0032 A 7/8" x 3 1/4"	111	122	21,9	2,7
CP 0032 A 7/8" x 4 1/4"	111	122	21,9	2,7
CP 0032 AS 7/8" x 4 1/4"	103	114	21,9	2,7
CP 0032 A 1" x 4 1/4"	111	122	21,9	2,7
CP 0069 7/8" x 4 1/4"	113	124	29,0	3,4
CP 0069 1" x 4 1/4"	113	124	29,0	3,4
CP 0069 WET 7/8" x 4 1/4"	113	124	29,0	3,4

Acessórios

Descrição	Nota	Quantidade	Referência
Lubrificador 43, tipo para os EUA (NPT)	Para óleos minerais e sintéticos	1	8900 0050 07
Lubrificador 1300, tipo para a Europa (NPT)	Para óleos minerais e sintéticos	1	8900 0050 02
Separador de água, tipo para os EUA (NPT)	Caudal de ar <130 ft ³ /min (60 l/s)	1	8900 0050 01
Separador de água, tipo para a Europa (BSP)	Caudal de ar <130 ft ³ /min (60 l/s)	1	8900 0050 00
Mangueira de ar RED-X, 60 m	20 mm (3/4")	1	8900 0050 10

Declaração de Conformidade da CE

Declaração de Conformidade da CE (Directiva da CE 2006/42/CE)

Nós, Atlas Copco Construction Tools AB, declaramos pela presente que as máquinas listadas abaixo se encontram em conformidade com as provisões da Directiva 2006/42/CE da CE (Directiva de Maquinaria), e com as normas harmonizadas mencionadas abaixo.

Perfuradores de rocha	Referência	Pmax (bar)
CP 0022 KL 7/8" x 3 1/4"	8900 0020 01	6.2
CP 0022 KL 7/8" x 4 1/4"	8900 0020 02	6.2
CP 0032 A 7/8" x 3 1/4"	T022318	6.2
CP 0032 A 7/8" x 4 1/4"	T022117	6.2
CP 0032 AS 7/8" x 4 1/4"	T025431	6.2
CP 0032 A 1" x 4 1/4"	T022319	6.2
CP 0069 7/8" x 4 1/4"	T006661	6.2
CP 0069 1" x 4 1/4"	T022259	6.2
CP 0069 WET 7/8" x 4 1/4"	T025423	6.2

Foram aplicadas as seguintes normas harmonizadas:

EN ISO 11148-5

Representante autorizado para Documentação Técnica:

Per Forsberg

Atlas Copco Construction Tools AB

Dragonvägen 2

Kalmar

Vice-presidente Design e Desenvolvimento:

Erik Sigfridsson

Fabricante:

Atlas Copco Construction Tools AB

105 23 Stockholm

Sweden

Local e data:

Kalmar, 2012-06-30

ITALIANO

Indice

Introduzione	113
Informazioni sulle istruzioni per la sicurezza e per l'uso	113
Norme di sicurezza	114
Terminologia di sicurezza.....	114
Precauzioni e qualifiche personali.....	114
Installazione, precauzioni.....	114
Funzionamento, precauzioni.....	115
Manutenzione, precauzioni.....	119
Conservazione, precauzioni.....	119
Avvertenze	120
Modello e funzioni.....	120
Parti principali.....	120
Etichette.....	121
Installazione	121
Disimballaggio della perforatrice.....	121
Tubi e collegamenti.....	121
Misure antigelo.....	122
Collegamento del separatore di condensa.....	122
Lubrificazione.....	122
Punta di perforazione.....	122
Perforazione a umido.....	123
Funzionamento	124
Preparativi prima dell'accensione.....	124
Controlli.....	125
Avviamento e arresto.....	126
Condizioni di esercizio.....	126
Durante le pause della lavorazione.....	126
Manutenzione	126
Giornaliera.....	127
Manutenzione periodica.....	127
Coppia di serraggio.....	127
Modalità di danneggiamento.....	128
Immagazzinamento	128
Smaltimento	128
Dati tecnici	129
Dati della macchina.....	129
Dichiarazione in materia di rumore e vibrazioni.....	129
Dati su rumore e vibrazioni.....	130
Accessori.....	130
Dichiarazione di conformità CE	131
Dichiarazione di conformità CE (Direttiva CE 2006/42/CE).....	131

Introduzione

Grazie per aver scelto i prodotti Chicago Pneumatic. per oltre un secolo, il marchio Chicago Pneumatic ha significato prestazioni e innovazione nel settore degli strumenti pneumatici.

Oggi il marchio è diffuso in tutto il mondo e offre una vasta gamma di utensili pneumatici e idraulici, quali demolitori, perforatrici, martelli scalpellatori, escavatori per argilla, picconatori e dissodatori, scalpellatori, pompe e molto altro ancora.

Il marchio Chicago Pneumatic è associato a prodotti potenti e affidabili, di facile manutenzione, che danno valore al denaro del cliente.

Per ulteriori informazioni si prega di visitare il sito www.cp.com

Atlas Copco Construction Tools AB
105 23 Stockholm
Sweden

Informazioni sulle istruzioni per la sicurezza e per l'uso

Scopo di queste istruzioni è fornire le conoscenze per un uso sicuro ed efficiente della perforatrice con motore a scoppio. Tali istruzioni offriranno inoltre consigli e indicazioni su come eseguire la normale manutenzione della perforatrice.

Quando ci si accinge a utilizzare la perforatrice per la prima volta, leggere queste istruzioni attentamente e accertarsi di averle comprese perfettamente.

Norme di sicurezza

Per ridurre il rischio di lesioni gravi o morte, per se stessi o altre persone, leggere e comprendere le istruzioni sulla sicurezza e l'uso prima di installare, utilizzare, riparare la macchina, eseguirne la manutenzione o modificare gli accessori della macchina.

Affiggere queste istruzioni per la sicurezza e l'uso nelle sedi di lavoro, fornirne copia agli addetti e assicurarsi che tutti le leggano prima di procedere all'uso o alla manutenzione della macchina.

Inoltre, l'operatore o il proprio datore di lavoro dovrebbero valutare i rischi specifici che potrebbero essere presenti come conseguenza di ciascun utilizzo della macchina.

Terminologia di sicurezza

Le parole Pericolo, Attenzione e Prudenza hanno i seguenti significati:

PERICOLO	Indica una situazione di pericolo che, qualora non sia evitata, può provocare gravi lesioni personali o morte.
AVVERTENZA	Indica una situazione di pericolo che, qualora non sia evitata, può provocare gravi lesioni personali o morte.
ATTENZIONE	Indica una situazione di pericolo che, qualora non sia evitata, può provocare lievi lesioni personali o di modesta entità.

Precauzioni e qualifiche personali

L'uso e la manutenzione della macchina sono riservati esclusivamente a personale addestrato e qualificato. Questo deve essere in grado di gestire fisicamente la massa, il peso e la potenza dell'utensile. Utilizzare sempre le regole del buon senso.

Dispositivi di protezione personale

Utilizzare sempre dispositivi di protezione approvati. Gli operatori e tutte le altre persone presenti nella zona di lavoro devono indossare i dispositivi di protezione, che comprenderanno almeno:

- > Elmetto protettivo
- > Protezione acustica
- > occhiali di sicurezza resistenti agli urti con protezioni laterali
- > protezione delle vie respiratorie, se necessario

- > guanti protettivi
- > calzature protettive adeguate
- > Camice da lavoro idoneo o abbigliamento simile (non largo) che copra braccia e gambe.

Droghe, sostanze alcoliche o farmaci

▲ AVVERTENZA Droghe, sostanze alcoliche o farmaci

Droghe, sostanze alcoliche o farmaci possono compromettere il proprio giudizio e la capacità di concentrazione. Scarsa reattività e valutazioni imprecise possono causare gravi incidenti o morte.

- ▶ Non utilizzare mai la macchina qualora si sia estremamente stanchi o sotto l'effetto di droghe, sostanze alcoliche o farmaci.
- ▶ Persone sotto l'effetto di droghe, sostanze alcoliche o farmaci non possono utilizzare la macchina.

Installazione, precauzioni

▲ PERICOLO Colpo di frusta del tubo dell'aria

Un tubo ad aria compressa che si scollegi può avere dei movimenti sferzanti e causare lesioni personali o la morte. Per ridurre tali rischi:

- ▶ Verificare che il tubo flessibile e i collegamenti per l'aria compressa non siano danneggiati, sostituire se necessario.
- ▶ Verificare che tutti i collegamenti per l'aria compressa siano corretti.
- ▶ Non trasportare mai la macchina pneumatica dal tubo dell'aria.
- ▶ non tentare mai di scollegare un tubo ad aria compressa quando è pressurizzato; Interrompere innanzi tutto l'aria compressa sul compressore e spurgare la macchina attivando il dispositivo di avviamento e arresto.
- ▶ Non utilizzare raccordi a sgancio rapido sull'ingresso dell'utensile. Utilizzare raccordi filettati dei tubi in acciaio temprato (o materiale con una equivalente resistenza all'urto).
- ▶ Ogni volta che si utilizzano innesti girevoli universali (raccordi istantanei) raccomandiamo di montare perni di blocco e di utilizzare cavi di sicurezza contro i colpi di frusta per evitare eventuali problemi di collegamento tubo-utensile e tubo-tubo.

▲ AVVERTENZA Espulsione dell'utensile di inserimento

Qualora il trattenitore dell'utensile sulla macchina non sia bloccato, l'utensile inserito può essere espulso con forza provocando lesioni personali.

- ▶ Non avviare mai la macchina prima di sostituire l'utensile di inserimento.
- ▶ Prima di cambiare l'utensile di inserimento o altri accessori, spegnere sempre la macchina, disinserire l'alimentazione dell'aria e spurgare la macchina premendo il dispositivo di avviamento e arresto.
- ▶ Mai orientare l'utensile inserito verso se stessi o un'altra persona.
- ▶ Prima di avviare la macchina, accertarsi che l'utensile di inserimento sia inserito a fondo e che il relativo dispositivo di bloccaggio sia saldamente bloccato.
- ▶ Controllare il funzionamento del blocco spingendo all'esterno l'utensile inserito.

▲ AVVERTENZA Movimento/slittamento dell'utensile di inserimento

Dimensioni errate della bussola dell'utensile inserito possono causare perdita o slittamento dell'utensile durante il funzionamento. Rischio di lesioni gravi o di schiacciamento di mani e dita.

- ▶ Verificare che l'utensile di inserimento abbia una bussola che presenti la lunghezza e le dimensioni corrette per la macchina per cui è prevista.
- ▶ Non utilizzare mai un utensile di inserimento senza collare.

Funzionamento, precauzioni**▲ PERICOLO Rischio di esplosione**

Qualora l'utensile di inserimento caldo venga a contatto con sostanze esplosive vi è il rischio di esplosioni. Durante il funzionamento su determinati materiali nonché quando si usano determinati materiali possono verificarsi scintille e incendi. Eventuali esplosioni causerebbero lesioni gravi o morte.

- ▶ Non utilizzare la macchina in ambienti esplosivi.
- ▶ Non utilizzare mai la macchina in prossimità di materiali, vapori e polveri infiammabili.
- ▶ Accertarsi che non siano presenti fonti di gas o esplosivi non rilevati.
- ▶ Non perforare mai in un foro esistente.

▲ AVVERTENZA Movimenti inattesi

L'utensile inserito è soggetto a notevoli sollecitazioni durante l'uso della macchina. Dopo un certo periodo di utilizzo l'utensile inserito può rompersi in seguito all'usura. In caso di rottura o di blocco dell'utensile inserito, potrebbe verificarsi un movimento improvviso o inaspettato con possibile rischio di lesioni. Perdite di equilibrio o scivolamenti, inoltre, possono provocare gravi lesioni personali.

- ▶ Operare sempre in posizione stabile, con i piedi allargati parallelamente alle spalle e con il peso del corpo ben bilanciato.
- ▶ Ispezionare sempre l'attrezzatura prima dell'uso. Non utilizzare l'attrezzatura se si sospetta che sia danneggiata.
- ▶ Accertarsi che le impugnature siano pulite e prive di olio e grasso.
- ▶ Tenere lontani i piedi dall'utensile inserito.
- ▶ Afferrare saldamente la macchina con entrambe le mani.
- ▶ Non forare mai in un foro esistente.
- ▶ Non avviare mai la macchina quando questa si trova coricata al suolo.
- ▶ Non "arrampicarsi" mai sulla macchina appoggiando un piede sull'impugnatura.
- ▶ Non colpire né utilizzare impropriamente l'attrezzatura.
- ▶ Verificare regolarmente che l'utensile di inserimento non sia usurato e controllarlo in caso di rischio di danni o rotture evidenti.
- ▶ Prestare sempre la massima attenzione durante il lavoro.

▲ AVVERTENZA Pericolo di stallo

Qualora l'utensile di inserimento si blocchi durante il funzionamento, l'intera macchina inizia a ruotare se si perde la presa. La rotazione improvvisa della macchina può provocare gravi lesioni personali o la morte.

- ▶ Afferrare saldamente la macchina con entrambe le mani.
- ▶ Accertarsi che le impugnature siano pulite e prive di olio e grasso.
- ▶ Non forare mai in un foro esistente.

▲ AVVERTENZA Pericolo di intrappolamento

Collane, capelli, guanti e indumenti possono impigliarsi nell'utensile di inserimento o dagli accessori in rotazione, provocando soffocamento, strappo del cuoio capelluto, lacerazioni o morte. Per ridurre tali rischi:

- ▶ Non afferrare o toccare mai una punta in acciaio rotante.
- ▶ Non indossare indumenti, collane o guanti che possono rimanere impigliati.
- ▶ Raccogliere eventuali capelli lunghi.

▲ AVVERTENZA Rischi correlati alla polvere e ai fumi

Polvere e/o fumi generati o dispersi quando si utilizza la macchina potrebbero provocare patologie respiratorie serie e permanenti, malattie, o altre lesioni corporee (ad esempio silicosi o altre patologie polmonari irreversibili che possono essere fatali, cancro, patologia neonatali, e/o infiammazioni cutanee).

Alcune polveri, fumi prodotti da perforazione, frantumazione, demolizione, taglio, rettifica e altre attività di costruzione, contengono sostanze note presso lo Stato della California e altre autorità come cancerogene e portatrici di patologie respiratorie, patologie neonatali o altri danni correlati alla riproduzione. Tra queste sostanze vi sono, a titolo esemplificativo:

- > silice cristallina, cemento e altri prodotti per l'edilizia.
- > Arsenico e cromo derivati da gomma trattata chimicamente.
- > Vernici a base di piombo.

Polveri e fumi possono essere invisibili all'occhio nudo, quindi non affidarsi alla vista per determinare la presenza di polveri o fumi nell'aria.

Per ridurre il rischio di esposizione a polveri e fumi, agire come segue:

- ▶ Eseguire una valutazione del rischio specifica per il sito. La valutazione dei rischi deve includere le polveri e i fumi creati dall'impiego della macchina e il potenziale di disturbo delle polveri esistenti.
- ▶ Utilizzare controlli strutturali adeguati per ridurre al minimo la quantità di polveri e fumi nell'aria e per ridurre al minimo l'accumulo su attrezzatura, superfici e parti del corpo. Alcuni esempi di controlli sono: sistemi di ventilazione d'estrazione e di raccolta delle polveri, spruzzi d'acqua e perforazione a umido. Controllare polveri e fumi alla fonte, ove possibile. Accertarsi che questi controlli siano adeguatamente installati, sottoposti a manutenzione e utilizzati correttamente.
- ▶ Indossare, sottoporre a manutenzione e utilizzare correttamente protezioni della respirazione come indicato dal datore di lavoro e come richiesto dalle norme sulla sicurezza e la salute sul lavoro. Le protezioni delle vie respiratorie devono essere idonee alle sostanze in questione (e se applicabile, approvate dalle autorità governative incaricate).
- ▶ Lavorare in un'area ben ventilata.
- ▶ Se la macchina ha uno scarico, dirigerlo in modo tale da ridurre il disturbo delle polveri in un ambiente polveroso.
- ▶ Utilizzare e sottoporre a manutenzione la macchina come indicato nelle istruzioni per l'uso e al sicurezza.

- ▶ Selezionare, sottoporre a manutenzione e sostituire i prodotti di consumo/gli utensili inseriti/altri accessori come indicato nelle istruzioni per l'uso e al sicurezza. Una selezione errata o una scarsa manutenzione dei prodotti di consumo/degli utensili inseriti/di altri accessori può causare un inutile aumento di polveri e fumi.
- ▶ Indossare indumenti protettivi lavabili o monouso sul luogo di lavoro e fare la doccia e indossare indumenti puliti prima di lasciare il luogo di lavoro per ridurre l'esposizione alle polveri e ai fumi di se stesso e di altre persone, oltre che di automobili, abitazioni e altre aree.
- ▶ Non mangiare, bere né fare uso di prodotti a base di tabacco in presenza di polveri e fumi.
- ▶ Lavarsi appena possibile accuratamente le mani e il viso quando si esce dall'area di esposizione e sempre prima di mangiare, bere, usare prodotti del tabacco e di entrare in contatto con altre persone.
- ▶ Rispettare tutte le leggi e le normative applicabili, incluse quelle sulla sicurezza e la salute sul lavoro.
- ▶ Partecipare al monitoraggio dell'aria, alle visite mediche programmate e ai corsi di formazione sulla salute e e sulla sicurezza offerti dal proprio datore di lavoro o dall'azienda e in conformità con le normative e le raccomandazioni sulla sicurezza e la salute sul lavoro. Consultare medici esperti in medicina del lavoro.
- ▶ Lavorare con il proprio datore di lavoro e il sindacato per ridurre l'esposizione a polveri e fumi sul posto di lavoro e per ridurre i rischi. Sulla base dei consigli di esperti sulla sicurezza e sulla salute, definire e implementare programmi, politiche e procedure sulla sicurezza e la salute per proteggere i lavoratori e gli altri dall'esposizione pericolosa a polveri e fumi. Consultare gli esperti.
- ▶ I residui di sostanze pericolose sulla macchina possono costituire un rischio. Prima di intraprendere qualsiasi intervento di manutenzione sulla macchina, pulirla accuratamente.

▲ **AVVERTENZA** **Proiettili**

Guasti a livello dell'utensile, degli accessori o perfino della macchina stessa, possono generare proiettili ad alta velocità. Durante il funzionamento, schegge o altre particelle di materiale di lavoro possono trasformarsi in proiettili e causare lesioni fisiche, colpendo l'operatore o altre persone. Per ridurre tali rischi:

- ▶ Utilizzare dispositivi di protezione individuali e elmetto di sicurezza omologati, ad esempio occhiali di sicurezza resistenti agli urti con protezioni laterali.
- ▶ Assicurarsi che persone non autorizzate non si introducano nella zona di lavoro.
- ▶ Mantenere il luogo di lavoro privo di corpi estranei.
- ▶ Accertarsi che il pezzo da lavorare sia ben fissato.

▲ **AVVERTENZA** **Pericolo di schegge**

L'utilizzo dell'utensile di inserimento come strumento di percussione manuale può provocare la formazione di schegge che possono colpire l'operatore con conseguenti lesioni personali.

- ▶ Non utilizzare mai un utensile di inserimento come strumento di percussione manuale. Gli utensili di inserimento sono stati concepiti e termotrattati per essere impiegati esclusivamente all'interno di una macchina.

▲ **AVVERTENZA** **Pericoli di scivolamento, inciampo e caduta**

Esiste un rischio di scivolamento, inciampo e caduta per esempio inciampo sui cavi o su altri oggetti. Scivolamento, inciampo e caduta possono causare lesioni. Per ridurre tali rischi:

- ▶ Accertarsi sempre che non vi siano cavi o altri oggetti che ostacolano il cammino dell'utente o di altri.
- ▶ Operare sempre in posizione stabile, con i piedi allargati parallelamente alle spalle e con il peso del corpo ben bilanciato.

▲ **AVVERTENZA** **Rischi correlati al movimento**

Quando si utilizza la macchina per eseguire attività collegate al lavoro, potrebbe verificarsi fastidio a mani, braccia, spalle, collo o altre parti del corpo.

- ▶ Adottare una postura comoda mantenendo una presa sicura ed evitare strane posture sbilanciate.
- ▶ Il cambio di postura durante lavori prolungati può aiutare a ridurre il fastidio e la fatica.
- ▶ In caso di sintomi persistenti o ricorrenti, consultare un medico professionista qualificato.

▲ AVVERTENZA Rischi correlati alle vibrazioni

L'uso normale e corretto della macchina espone l'operatore a vibrazioni. Un'esposizione regolare e frequente alle vibrazioni può causare o aggravare, anche solo in parte, lesioni o disturbi a dita, mani, polsi, braccia, spalle e/o nervi e vasi sanguigni o altre parti del corpo dell'operatore, comprese lesioni o disturbi debilitanti e/o permanenti, che potrebbero svilupparsi gradualmente, nel corso di settimane, mesi o perfino anni. Tali lesioni o disturbi possono provocare danni al sistema circolatorio, al sistema nervoso, alle articolazioni e anche ad altre parti dell'organismo.

Se in un qualunque momento dovessero manifestarsi sintomi quali intorpidimento, fastidio prolungato e ricorrente, sensazione di bruciore, rigidità, formicolio, fitte, indebolimento della presa, dolore, pallore o altro, che si stia utilizzando la macchina o meno, interrompere l'uso e rivolgersi a un medico. La prosecuzione nell'utilizzo della macchina dopo il verificarsi di uno di tali sintomi aumenta il rischio che esso diventi più grave e/o permanente.

Far funzionare ed eseguire la manutenzione sulla macchina come raccomandato in queste istruzioni per impedire un aumento non necessario delle vibrazioni.

Per ridurre l'esposizione dell'operatore alle vibrazioni, adottare le seguenti precauzioni:

- ▶ Lasciare che sia l'attrezzo a eseguire il lavoro. Utilizzare una presa minima sufficiente a consentire un controllo corretto e un funzionamento sicuro.
- ▶ Se la macchina è dotata di impugnature ad assorbimento delle vibrazioni, tenerle in posizione centrale, evitando di premerle nei fermi terminali.
- ▶ Quando è attivato il meccanismo di percussione, il solo contatto che il corpo dell'operatore deve avere con la macchina è delle mani sull'impugnatura/impugnature. Evitare altro contatto, ad esempio addossando una parte del corpo alla macchina o appoggiandovisi per aumentare la forza di avanzamento. Inoltre è importante mantenere il dispositivo di avviamento e di arresto non innestato durante l'estrazione dell'utensile dalla superficie di lavoro frantumata.
- ▶ Accertarsi che l'utensile montato sia stato sottoposto a corretta manutenzione (anche l'affilatura, se è un utensile di taglio), che non sia usurato e che sia delle dimensioni corrette. Utensili di inserimento sui quali non venga eseguita una corretta manutenzione, che siano usurati o di dimensioni errate impiegano più tempo a compiere un'operazione (quindi con un periodo maggiore di esposizione alle vibrazioni) e possono causare o contribuire a più alti livelli di esposizione alle vibrazioni.

- ▶ Interrompere immediatamente il lavoro se la macchina improvvisamente inizia a vibrare eccessivamente. Prima di riprendere il lavoro, individuare e rimuovere la causa dell'aumento delle vibrazioni.
- ▶ Non afferrare mai o toccare l'utensile inserito con la macchina in funzione.
- ▶ Partecipare a sorveglianza o monitoraggio sanitario, esami medici e programmi di formazione resi disponibili dal proprio datore di lavoro e quando richiesto dalla legge.
- ▶ Quando si lavora al freddo, indossare indumenti caldi e tenere sempre le mani calde e asciutte.
- ▶ L'aria di scarico è fortemente refrigerata e non deve venire a contatto con l'operatore. Direzionare sempre il tubo di scarico lontano dalle mani e dal corpo.

Vedere la "Dichiarazione in materia di rumore e vibrazioni" per quanto concerne la macchina, compresi i valori di vibrazione dichiarati. Queste informazioni si trovano al termine di queste istruzioni per la sicurezza e per l'uso.

- ◆ Nell'utilizzare la macchina, adottare la pressione dell'aria raccomandata. Una pressione dell'aria maggiore o inferiore può causare livelli più alti di vibrazioni.

▲ PERICOLO Pericolo elettrico

La macchina non è isolata elettricamente. In caso di contatto della macchina con l'elettricità possono derivarne lesioni personali gravi o morte.

- ▶ Non mettere mai in funzione la macchina vicino a cavi elettrici o ad altre fonti di elettricità.
- ▶ Accertarsi che non siano presenti cavi nascosti o altre sorgenti elettriche nella zona di lavoro.

▲ AVVERTENZA Pericoli correlati a oggetti nascosti

Durante il funzionamento, cavi e tubi nascosti possono provocare gravi lesioni personali.

- ▶ Prima del funzionamento, verificare la composizione del materiale della macchina.
- ▶ Accertarsi che non vi siano cavi e condutture nascosti, ad es. di elettricità, linee telefoniche, acqua, gas e acque di rifiuto, ecc.
- ▶ Qualora si sospetti che l'utensile inserito abbia urtato un oggetto nascosto, spegnere immediatamente la macchina.
- ▶ Accertarsi che non vi siano pericoli prima di continuare.

▲ AVVERTENZA Avviamento accidentale

L'avviamento accidentale della macchina può provocare gravi lesioni personali.

- ▶ Tenere lontane le mani dal dispositivo di avviamento ed arresto fino a quando l'operatore non è pronto ad avviare la macchina.
- ▶ Imparare come fermare la macchina in caso di emergenza.
- ▶ Rilasciare immediatamente il dispositivo di avviamento e arresto in caso di interruzione di corrente.
- ▶ Per il montaggio o lo smontaggio dell'utensile di inserimento disattivare l'alimentazione pneumatica, disaerare la macchina premendo il dispositivo di avvio e arresto e scollegare la macchina dalla sorgente di alimentazione.

▲ AVVERTENZA Rischio correlato al rumore

Elevati livelli di rumore possono causare una perdita dell'udito permanente e disabilitante, nonché altri problemi quali acufeni (fischi, ronzii, crepitii nelle orecchie). Per ridurre i rischi ed evitare qualsiasi inutile aumento dei livelli di rumore:

- ▶ La valutazione del rischio e l'implementazione di adeguati controlli sono fondamentali.
- ▶ Utilizzare e sottoporre a manutenzione la macchina come indicato nelle presenti istruzioni.
- ▶ Scegliere, sottoporre a manutenzione e sostituire l'utensile di inserimento come indicato nelle presenti istruzioni.
- ▶ Se la macchina è dotata di un silenziatore, assicurarsi che sia in posizione e in buone condizioni.
- ▶ Utilizzare sempre protezioni acustiche.
- ▶ Utilizzare materiale di smorzamento per evitare che i pezzi lavorati "suonino".

Manutenzione, precauzioni**▲ AVVERTENZA Modifica della macchina**

Eventuali modifiche alla macchina possono causare lesioni personali all'operatore e ad altre persone.

- ▶ Non modificare mai la macchina. Le macchine modificate non sono coperte da garanzia o responsabilità sul prodotto.
- ▶ Utilizzare sempre ricambi, utensili d'inserimento ed accessori originali.
- ▶ Sostituire immediatamente i pezzi danneggiati.
- ▶ Sostituire tempestivamente i componenti usurati.

▲ ATTENZIONE Utensile di inserimento caldo

La punta dell'utensile di inserimento potrebbe riscaldarsi e potrebbe affilarsi quando viene utilizzata. Il contatto con la punta può causare ustioni e tagli.

- ▶ Non toccare mai un utensile di inserimento quando è caldo o tagliente.
- ▶ Attendere che l'utensile di inserimento si sia raffreddato prima di eseguire qualsiasi intervento di manutenzione.

▲ AVVERTENZA Pericoli legati all'utensile di inserimento

L'azionamento accidentale del dispositivo di avvio e di arresto durante la manutenzione o l'installazione può causare lesioni gravi quando l'alimentazione è collegata.

- ▶ Non ispezionare, pulire, installare o rimuovere l'utensile di inserimento quando l'alimentazione è collegata.

Conservazione, precauzioni

- ◆ La macchina e gli utensili devono essere conservati in un luogo sicuro e fuori dalla portata dei bambini, chiuso a chiave.

Avvertenze

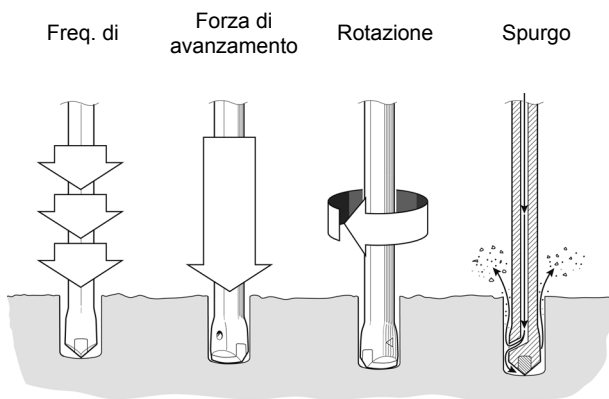
Per ridurre il rischio di lesioni gravi o morte, per se stessi o altre persone, prima di utilizzare la macchina leggere la sezione delle istruzioni sulla sicurezza che si trova nelle prime pagine di questo manuale.

Modello e funzioni

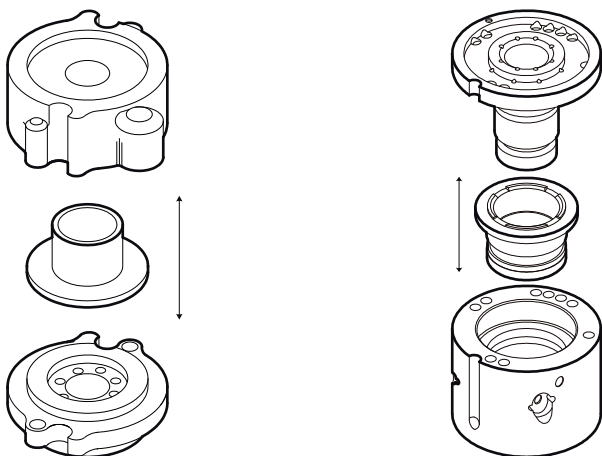
CP 0022, CP 0032 e CP 0069 sono perforatrici pneumatiche concepite per la perforazione verticale, la perforazione di fori di candela e la perforazione in calcestruzzo in applicazioni edili e minerarie. Non sono consentiti usi diversi da quelli indicati.

Per la scelta degli utensili di inserimento corretti, contattare il concessionario Chicago Pneumatic locale.

Principio di funzionamento della perforatrice

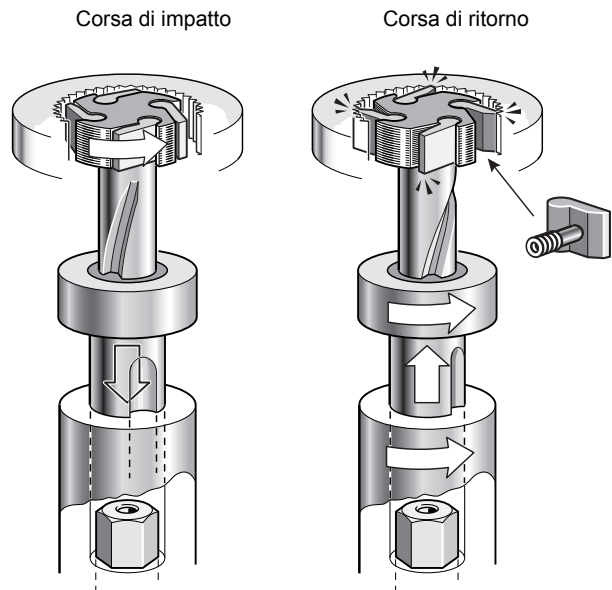


Meccanismo della valvola di controllo



La leva dirige l'aria alternativamente da un lato all'altro del pistone in modo che questo si sposti verso l'alto e verso il basso. Il pistone trasmette l'energia alla parte inferiore del foro attraverso il fioretto.

Meccanismo di rotazione

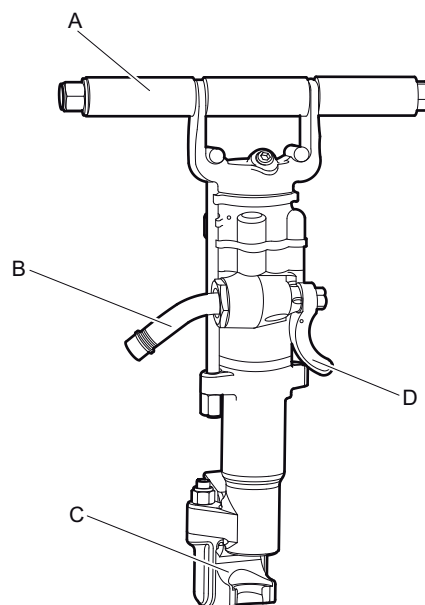


Ad ogni colpo il fioretto viene ruotato leggermente dalla rotazione della barra spiralata. La rotazione avviene in senso antiorario ed è applicata alla corsa di ritorno del pistone.

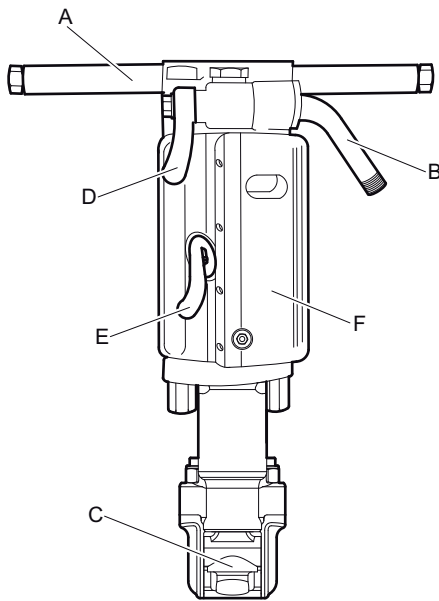
Spurgo

Lo spurgo viene incanalato attraverso un foro nel pistone. Ciò significa che l'erogazione dell'aria di spurgo ha inizio non appena si attiva l'aria compressa.

Parti principali



CP 0022 KL



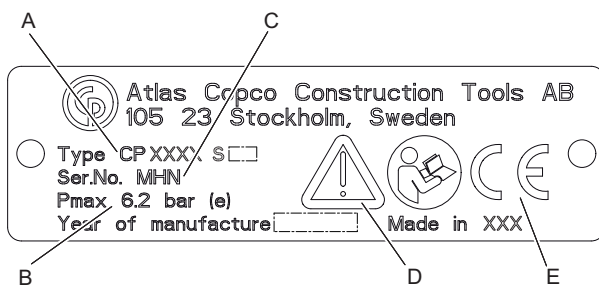
CP 0032, CP 0069

- A. Impugnatura
- B. Nipplo dell'aria in ingresso
- C. Trattenitore della punta di perforazione
- D. Leva dell'acceleratore
- E. Leva per soffiante supplementare
- F. Silenziatore (opzionale)

Etichette

Sulla macchina sono apposte etichette contenenti informazioni importanti per la sicurezza dell'operatore e la manutenzione della macchina. Le condizioni delle etichette devono essere tali da consentirne una facile lettura. È possibile ordinare nuove etichette facendo riferimento all'elenco dei pezzi di ricambio.

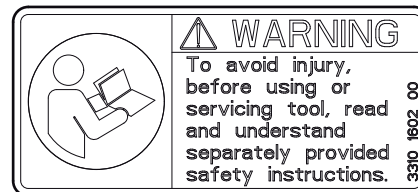
Targhetta dei dati



- A. Tipo di macchina
- B. Pressione pneumatica massima consentita
- C. Numero di serie

- D. Il simbolo di attenzione insieme al simbolo del libro indicano che occorre leggere le Istruzioni per la sicurezza e per l'uso quando ci si accinge a utilizzare la macchina per la prima volta.
- E. Il simbolo CE indica che la macchina è approvata dalla CE. Per ulteriori informazioni, consultare l'allegata dichiarazione CE. Se il simbolo CE manca, indica che la macchina non è approvata dalla CE.

Etichetta di sicurezza



Per evitare lesioni, prima di usare o di effettuare la manutenzione su un utensile, leggere e comprendere le istruzioni di sicurezza fornite separatamente.

Installazione

Disimballaggio della perforatrice

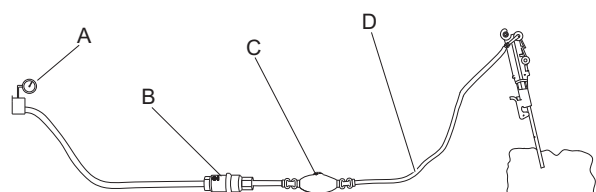
Ripari in plastica

Prima di utilizzare la perforatrice per la prima volta rimuovere tutte le protezioni in plastica dai raccordi.

Lubrificare

Dopo aver sballato e installato lo strumento, versare un po' di olio lubrificante nell'attacco dell'aria.

Tubi e collegamenti



- A. Sorgente di aria compressa
- B. Separatore di condensa (opzionale)
- C. Oliatore (opzionale)
- D. Tubo dell'aria compressa lungo max. 10 feet (3 metri) tra l'oliatore e la macchina.

- ◆ Verificare che si stia usando la corretta pressione operativa raccomandata, 87 psig (6 bar).
- ◆ La pressione massima consentita dell'aria compressa, 90 psig (6,2 bar (e)), non deve mai essere superata.
- ◆ Soffiare via eventuali impurità dal tubo dell'aria compressa prima di collegarlo alla macchina.
- ◆ Selezionare le dimensioni e la lunghezza corrette per il tubo dell'aria compressa. Per tubi di lunghezza superiore a 100 feet (30 metri), usare un tubo con diametro minimo interno di $\frac{3}{4}$ in. (19 mm). Se il tubo ha una lunghezza tra i 100 e i 330 feet (30 e 100 metri), usare un tubo con diametro interno minimo di 1 in. (25 mm).

Misure antigelo

La formazione di ghiaccio nel silenziatore si può verificare quando la temperatura ambiente è di 0-10°C (32-50 °F) e l'umidità relativa è alta.

La macchina è stata progettata in maniera tale da evitare la formazione di ghiaccio nel silenziatore. Malgrado ciò, in condizioni estreme è possibile che ciò accada.

Adottare le seguenti misure per evitare il rischio di formazione di ghiaccio:

- ◆ Usare un lubrificante per perforatrici da roccia.
- ◆ Usare un separatore di condensa.

Collegamento del separatore di condensa

Tra il compressore e il separatore di condensa utilizzare un tubo che abbia una lunghezza sufficiente a garantire che il vapore acqueo si raffreddi e si condensi nel tubo prima di raggiungere il separatore.

Se la temperatura ambiente è inferiore a 32°F (0°C), il tubo deve essere sufficientemente corto per evitare il rischio di formazione di ghiaccio prima che l'acqua raggiunga il separatore di condensa.

Lubrificazione

Il lubrificante è importante per il funzionamento della macchina e ha un impatto significativo sulla sua durata utile. Allo scopo di fornire il corretto volume di olio, al tubo dell'aria si deve collegare un oliatore. Si raccomanda l'uso di un lubrificatore per aria compressa Chicago Pneumatic. Per una buona lubrificazione, la lunghezza del tubo dell'aria tra il

lubrificatore e lo strumento pneumatico non deve superare i 10 feet (3 m).

Un eccesso di lubrificante causa problemi di avvio, potenza bassa o prestazioni irregolari.

Lubrificante raccomandato: Olio per perforatrici con viscosità di 100-150 SUS a 100°F (ISO VG 22-32).

Punta di perforazione

▲ AVVERTENZA Espulsione dell'utensile di inserimento

Qualora il trattenitore dell'utensile sulla macchina non sia bloccato, l'utensile inserito può essere espulso con forza provocando lesioni personali.

- ▶ Prima di cambiare l'utensile di inserimento, spegnere sempre la macchina, disinserire l'alimentazione dell'aria compressa e spurgare la macchina premendo il dispositivo di avviamento e arresto.

Prima del montaggio della punta di perforazione

Accertare che la bussola dell'utensile sia della misura e lunghezza corretta per il mandrino utilizzato. La bussola deve essere pulita e l'utensile in buone condizioni. Le bussole scheggiate, arrotondate, scenterate o troppo strette sull'estremità di battuta funzioneranno in modo inefficiente e causeranno guasti prematuri al pistone.

Ispezionare la punta di perforazione: Una punta smussata rallenta la velocità di perforazione e sottopone il meccanismo della perforatrice a sforzo eccessivo. Alla sostituzione della punta accertarsi che la nuova punta sia della misura adatta al foro eseguito in precedenza.

Prima di perforare, verificare che il foro di spurgo nella punta di perforazione non sia otturato.

▲ ATTENZIONE Utensile di inserimento caldo

La punta dell'utensile di inserimento potrebbe riscaldarsi e potrebbe affilarsi quando viene utilizzata. Il contatto con la punta può causare ustioni e tagli.

- ▶ Non toccare mai un utensile di inserimento quando è caldo o tagliente.
- ▶ Attendere che l'utensile di inserimento si sia raffreddato prima di eseguire qualsiasi intervento di manutenzione.

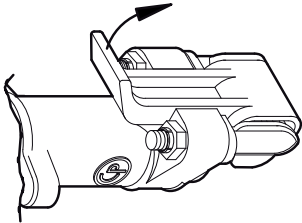
AVVISO Non raffreddare mai un utensile di inserimento caldo in acqua, potrebbe derivarne fragilità e rottura precoce.

Montaggio della punta di perforazione

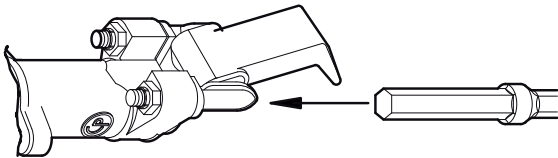
CP 0022 KL, CP 0032, CP 0069

Attenersi alle istruzioni indicate di seguito per il montaggio della punta di perforazione:

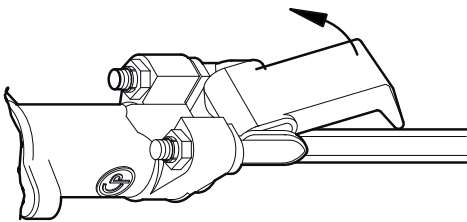
1. Spingere il trattenitore verso l'interno nella direzione della freccia fino a quando la sua parte anteriore non riesce ad ospitare il codolo della punta di perforazione.



2. Inserire la punta di perforazione nel mandrino.



3. Quando la perforatrice arriva al fondo, spingere indietro il trattenitore per bloccarla.

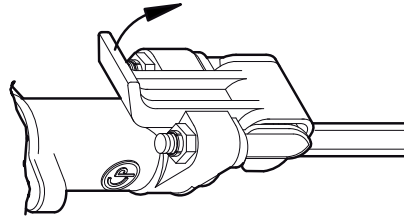


Smontaggio della punta di perforazione

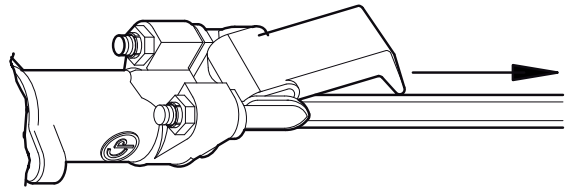
CP 0022 KL, CP 0032, CP 0069

Attenersi alle istruzioni indicate di seguito per lo smontaggio della punta di perforazione:

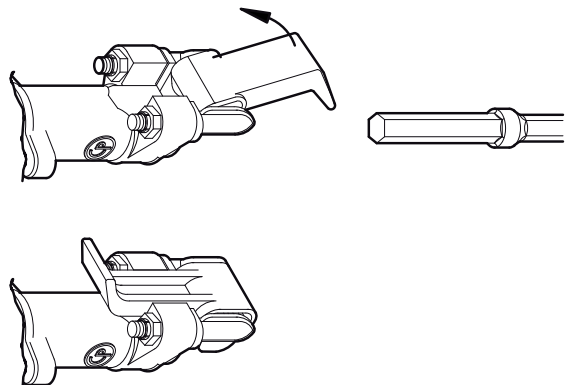
1. Spingere il trattenitore verso l'interno nella direzione della freccia fino a quando il codolo della punta di perforazione non si disimpegna dalla parte anteriore del trattenitore stesso.



2. Estrarre la punta di perforazione.



3. Spingere indietro il trattenitore.

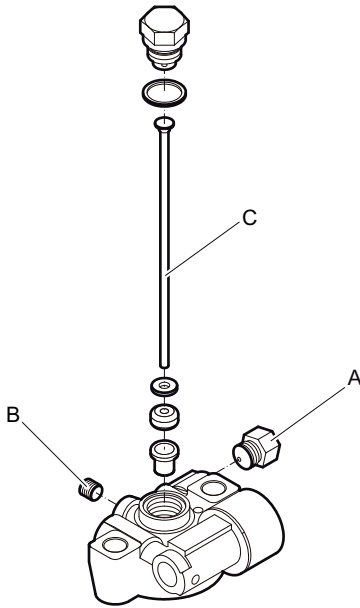


Perforazione a umido

Prima di passare alla perforazione umida

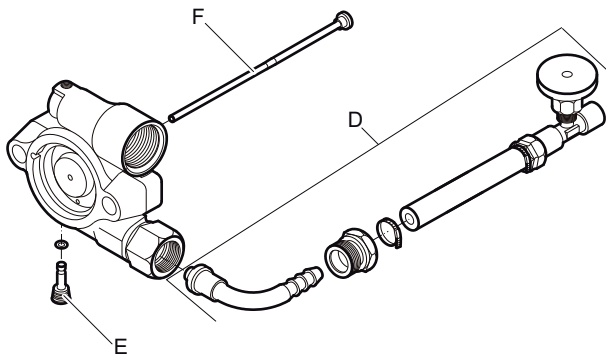
Prima di convertire la perforatrice per la perforazione umida, spegnere sempre l'alimentazione dell'aria e spurgare la macchina abbassando la leva dell'acceleratore. Quindi scollegare il tubo dell'aria dalla macchina.

Passare alla perforazione umida



Solo per CP 0032 e CP 0069

1. Svitare l'innesto (A) dall'attacco dell'acqua.
2. Svitare l'innesto (B) dalla testina posteriore.
3. Rimuovere il condotto dell'aria (C) dalla testina posteriore.



Solo per CP 0032 e CP 0069

1. Montare il set di conversione dell'acqua (D) e collegarlo al collettore dell'acqua.
2. Avvitare l'innesto (E) nella testina posteriore.
3. Inserire il condotto dell'acqua (F) nella testina posteriore.

Funzionamento

▲ AVVERTENZA Avviamento accidentale

L'avviamento accidentale della macchina può provocare gravi lesioni personali.

- ▶ Tenere lontane le mani dal dispositivo di avviamento ed arresto fino a quando l'operatore non è pronto ad avviare la macchina.
- ▶ Imparare come fermare la macchina in caso di emergenza.
- ▶ Arrestare immediatamente la macchina in caso di interruzione di corrente.

Preparativi prima dell'accensione

Controllare le attrezzature di perforazione

- ◆ Controllare che l'intera attrezzatura di perforazione sia in buono stato operativo.
- ◆ Controllare che la superficie d'impatto della bussola della punta sia piana e non presenti segni di usura.
- ◆ Accertarsi che non vi siano ostruzioni sull'ingresso dell'aria e sulle porte di scarico.
- ◆ Controllare che i fori di spurgo del fioretto e della punta non siano bloccati e che l'aria/acqua di spurgo possa fuoriuscire senza ostacoli.
- ◆ Accertarsi che il filtro dell'aria (ubicato nel nipplo dell'aria) sia pulito e che non presenti strappi o distorsioni.
- ◆ Accertarsi che le giunzioni siano ben serrate e che non presentino perdite.

▲ PERICOLO Colpo di frusta del tubo dell'aria

Un tubo ad aria compressa che si scollegi può avere dei movimenti sferzanti e causare lesioni personali o la morte.

- ▶ Verificare che il tubo flessibile e i collegamenti per l'aria compressa non siano danneggiati.
- ▶ Verificare che tutti i collegamenti per l'aria compressa siano corretti.

Spurgare il flessibile per l'aria

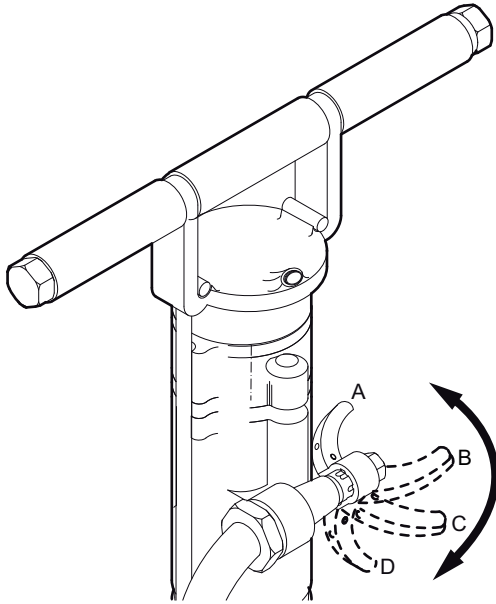
- ◆ Spurgare quotidianamente prima dell'uso il flessibile per l'aria in modo da rimuovere lo sporco accumulato e l'umidità.

Riempire di olio l'oliatore

- ◆ Accertarsi che il mandrino e la bussola del fioretto siano sempre ricoperti da una pellicola d'olio.

Controlli

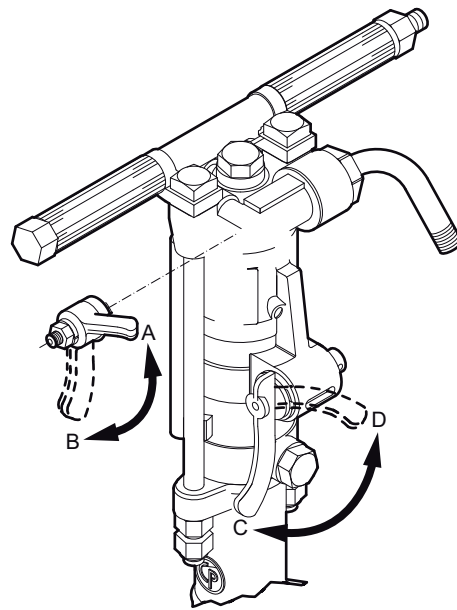
Leva dell'acceleratore



CP 0022 KL

La perforatrice è dotata di una leva dell'acceleratore per la regolazione dell'aria compressa convogliata al meccanismo di percussione.

- ◆ Valvola di regolazione chiusa (posizione di arresto) (A).
- ◆ Solo pulizia ad aria (B).
- ◆ Valvola di regolazione semiaperta (C).
- ◆ Valvola di regolazione aperta (D).



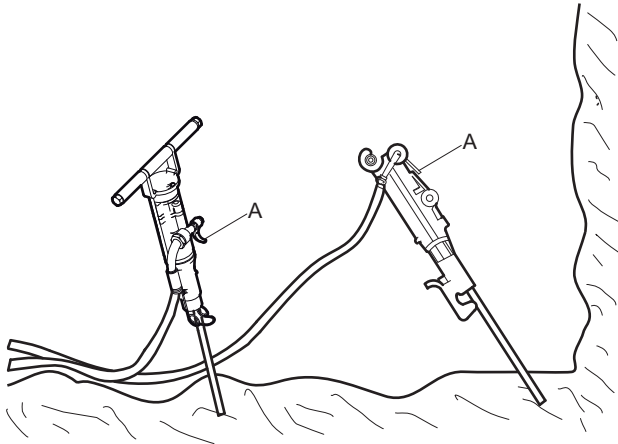
CP 0032 e CP 0069

La perforatrice è dotata della leva di azionamento per la regolazione dell'aria compressa convogliata al meccanismo di percussione, nonché di una leva per lo spurgo ad aria supplementare.

- ◆ Valvola di regolazione chiusa (posizione di arresto) (A). Solo pulizia ad aria
- ◆ Valvola di regolazione aperta (B).
- ◆ Valvola per lo spurgo chiusa (posizione di arresto) (C).
- ◆ Valvola per lo spurgo aperta (D).

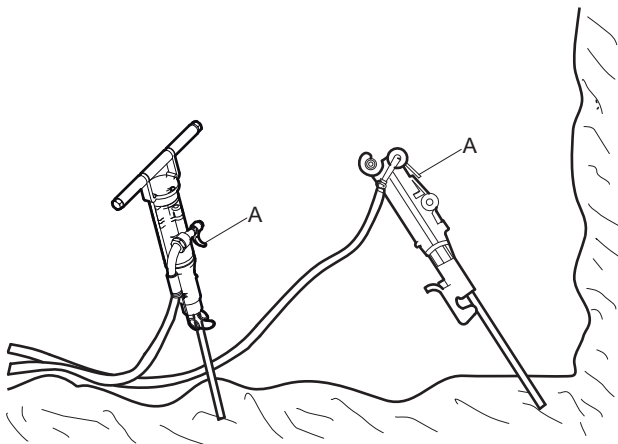
Avviamento e arresto

Avvio della perforatrice



1. Aprire la valvola principale dell'aria compressa.
2. Allineare la perforatrice in modo che la punta di perforazione tocchi il punto dell'imboccatura richiesto.
3. Spostare leggermente in avanti la leva del gas (A), per avviare la percussione e la rotazione.
4. Realizzare la bocca del foro con una forza di alimentazione ridotta.
5. Spostare la leva del gas (A) completamente in avanti non appena la punta di perforazione ha iniziato a perforare nettamente la roccia.

Arresto della perforatrice



1. Tirare indietro la leva del gas (A) fino alla posizione di arresto, per arrestare la percussione e la rotazione.

Condizioni di esercizio

Perforazione

- ◆ Indossare sempre calzature protettive, guanti, casco, protezioni per l'udito e protezione per gli occhi resistenti agli impatti con protezione laterale.
- ◆ Afferrare saldamente la macchina con entrambe le mani.
- ◆ Puntare bene l'utensile sulla superficie di lavoro prima dell'avvio della macchina.

Durante le pause della lavorazione

- ◆ Durante le pause riporre la macchina in maniera tale che non vi sia rischio di azionamento involontario. Accertarsi di posizionare la macchina a terra in modo tale che non cada.
- ◆ Nel caso in cui la pausa sia lunga o quando si lascia il pezzo da lavorare: interrompere l'erogazione dell'alimentazione e spurgare la macchina attivando il dispositivo di avviamento e arresto.

Manutenzione

La manutenzione regolare è un requisito di base perché l'uso dell'utensile continui ad essere sicuro ed efficiente. Seguire attentamente le istruzioni per la manutenzione.

- ◆ Prima di iniziare la manutenzione sulla macchina, pulirla per evitare l'esposizione a sostanze pericolose. Vedere "Rischi correlati alla polvere e ai fumi"
- ◆ Utilizzare esclusivamente ricambi originali. Eventuali danni o guasti dovuti dall'uso di ricambi non originali non sono coperti da Garanzia o Responsabilità sul Prodotto.
- ◆ In caso di pulizia delle parti meccaniche con un solvente, rispettare tutte le norme di sicurezza vigenti e accertarsi che vi sia una ventilazione adeguata.
- ◆ Per la manutenzione completa della macchina, rivolgersi al proprio centro di assistenza autorizzato.
- ◆ Dopo ogni intervento, controllare che il livello di vibrazione della macchina sia normale. In caso contrario, contattare l'officina autorizzata di zona per ulteriori istruzioni.

Giornaliera

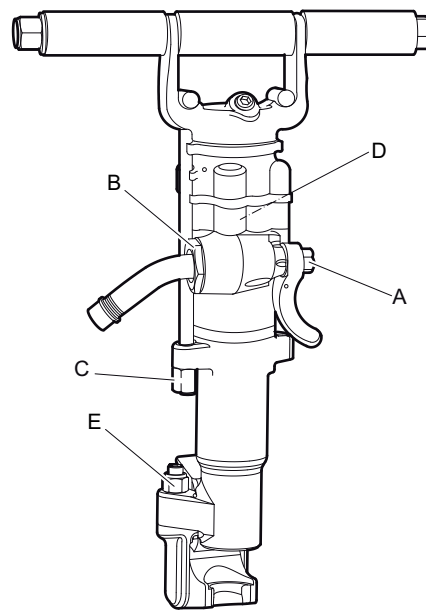
Prima di accingersi alla manutenzione o alla sostituzione dell'utensile di inserimento su macchine pneumatiche, disinserire sempre l'alimentazione dell'olio e spurgare la macchina premendo il dispositivo di avviamento e arresto, scollegare quindi il tubo flessibile pneumatico dalla macchina.

- ◆ Pulire ed ispezionare la macchina e le sue funzioni ogni giorno prima di iniziare il lavoro.
- ◆ Eseguire un'ispezione generale per verificare che non vi siano perdite o danni.
- ◆ Controllare che il nipplo dell'aria in ingresso sia serrato e che il raccordo a baionetta non sia danneggiato.
- ◆ Verificare il funzionamento dell'acceleratore. Controllare che si muova liberamente su e giù.
- ◆ Verificare il funzionamento del trattenitore. Accertarsi che blocchi la punta di perforazione.
- ◆ Sostituire immediatamente i pezzi danneggiati.
- ◆ Sostituire tempestivamente i componenti usurati.
- ◆ Controllare i bulloni passanti della macchina. Accertarsi che siano sempre serrati.
- ◆ Se la macchina è dotata di un silenziatore, controllare il danno.

Manutenzione periodica

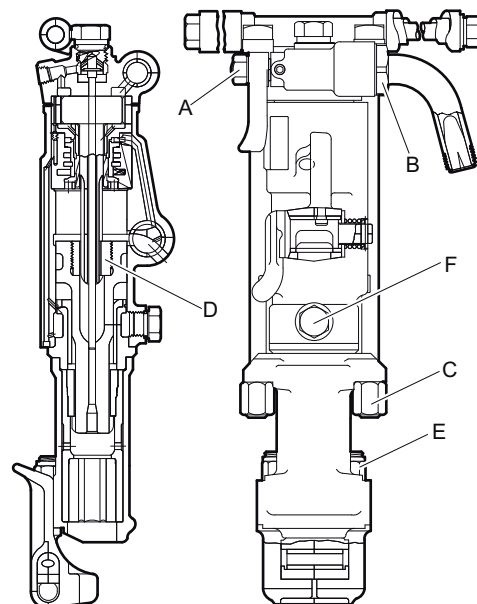
Dopo un periodo d'uso di circa 100 ore di esercizio o tre volte all'anno, smontare la macchina e pulirne e controllarne tutti i componenti. Questo lavoro deve essere eseguito da personale autorizzato, addestrato a questo compito.

Coppia di serraggio



CP 0022 KL

- A. Dado, 70-80 ft.lbf (95-108 Nm)
- B. Dado ingresso aria, 110-120 ft.lbf (149-163 Nm)
- C. Dado bullone passante, 90-100 ft.lbf (122-136 Nm)
- D. Dado spiralato, 200-225 ft.lbf (271-305 Nm)
- E. Dado, 100-110 ft.lbf (136-149 Nm)



CP 0032, CP 0069

- A. Dado, 35-40 ft.lbf (47-54 Nm)
- B. Dado ingresso aria, 125-150 ft.lbf (169-203 Nm)
- C. Dado bullone passante, 110-120 ft.lbf (149-163 Nm)
- D. Dado spiralato, 200-225 ft.lbf (271-305 Nm)
- E. Dado, 100-110 ft.lbf (136-149 Nm)
- F. Scarico del lubrificante, 90-100 ft.lbf (122-136 Nm)

Smaltimento

Una macchina usurata si deve trattare e smaltire in maniera tale che la maggior parte possibile di materiale possa essere riciclata e che eventuali influenze negative sull'ambiente vengano ridotte al minimo anche nel rispetto delle limitazioni locali.

Modalità di danneggiamento

Ispezionare sempre con attenzione i pezzi usurati o danneggiati prima di sostituirli. Essi possono infatti fornire importanti informazioni sulle condizioni della perforatrice e sul modo in cui viene usata e sottoposta a manutenzione.

Problema	Causa
I pezzi in acciaio hanno un colore bluastro	I pezzi sono stati esposti a calore eccessivo. Ciò può essere dovuto a lubrificazione insufficiente o funzionamento al minimo
I pezzi in acciaio presentano delle fessurazioni quasi microscopiche sulle superfici usurabili	Vedere sopra
Cavità irregolari sulla superficie dei pezzi in bronzo	Vedere sopra
Segni di taglio	Danno secondario Sporco all'interno della perforatrice
	Disallineamento interno causato da un errato serraggio dei bulloni laterali

Immaggazzinamento

- > Oliare bene la perforatrice prima di riporla.
- > Riporre sempre la macchina in un luogo pulito e asciutto.
- > Accertarsi che nella macchina non possa entrare materiale estraneo.
- > Proteggere il mandrino con il tappo in plastica fornito con la macchina. In alternativa, utilizzare un tappo di legno o un panno di cotone.
- > In caso di conservazione della macchina per un lungo periodo di tempo, versare un po' d'olio direttamente nell'ingresso dell'aria della perforatrice e azionare brevemente l'aria. Ciò proteggerà la macchina dalla corrosione.

Dati tecnici

Dati della macchina

Modello	Codice	Alesaggio pistone in. (mm)	Lunghezza corsa in. (mm)	Lunghezza complessiva in. (mm)	Peso lb (kg)	Dimensioni della bussola in. (mm)
CP 0022 KL 7/8" x 3 1/4"	8900 0020 01	2 3/8 (60)	1 1/4 (44)	18 3/4 (475)	32 (14,7)	7/8 x 3 1/4 (22 X 82,5)
CP 0022 KL 7/8" x 4 1/4"	8900 0020 02	2 3/8 (60)	1 1/4 (44)	19 9/16 (500)	33 (14,9)	7/8 x 4 1/4 (22 x 108)
CP 0032 A 7/8" x 3 1/4"	T022318	2 5/8 (67)	2 (51)	22 (559)	54 (24,5)	7/8 x 3 1/4 (22 X 82,5)
CP 0032 A 7/8" x 4 1/4"	T022117	2 5/8 (67)	2 (51)	23 (584)	54 (24,5)	7/8 x 4 1/4 (22 x 108)
CP 0032 AS 7/8" x 4 1/4"	T025431	2 5/8 (67)	2 (51)	23 (584)	54 (24,5)	7/8 x 4 1/4 (22 x 108)
CP 0032 A 1" x 4 1/4"	T022319	2 5/8 (67)	2 (51)	23 (584)	54 (24,5)	1 x 4 1/4 (25 x 108)
CP 0069 7/8" x 4 1/4"	T006661	2 3/4 (70)	2 5/8 (67)	24 1/2 (622)	64 (29,1)	7/8 x 4 1/4 (22 x 108)
CP 0069 1" x 4 1/4"	T022259	2 3/4 (70)	2 5/8 (67)	24 1/2 (622)	64 (29,1)	1 x 4 1/4 (25 x 108)
CP 0069 WET 7/8" x 4 1/4"	T025423	2 3/4 (70)	2 5/8 (67)	24 1/2 (622)	64 (29,1)	7/8 x 4 1/4 (22 x 108)

Modello	Fabbisogno di aria (a 6 bar) foot ³ /min (l/s)	Frequenza d'urto (a 6 bar) Hz	Diametro del foro in. (mm)
CP 0022 KL 7/8" x 3 1/4"	56 (22)	37	≤1 1/2 (≤38)
CP 0022 KL 7/8" x 4 1/4"	56 (22)	37	≤1 1/2 (≤38)
CP 0032 A 7/8" x 3 1/4"	103 (48)	37	≤2 (≤50)
CP 0032 A 7/8" x 4 1/4"	103 (48)	37	≤2 (≤50)
CP 0032 AS 7/8" x 4 1/4"	103 (48)	37	≤2 (≤50)
CP 0032 A 1" x 4 1/4"	103 (48)	37	≤2 (≤50)
CP 0069 7/8" x 4 1/4"	130 (61)	32	≤2 1/2 (≤62,5)
CP 0069 1" x 4 1/4"	130 (61)	32	≤2 1/2 (≤62,5)
CP 0069 WET 7/8" x 4 1/4"	130 (61)	32	≤2 1/2 (≤62,5)

Dichiarazione in materia di rumore e vibrazioni

Livello di potenza acustica garantito **L_w** conforme EN ISO 3744 ai sensi della direttiva 2000/14/CE.

Livello pressione sonora **L_p** ai sensi EN ISO 11203.

Valore vibrazioni **A** e incertezza **B** determinata secondo EN ISO 20643. Vedere la tabella "Dati di rumore e vibrazioni" per i valori di A, B, ecc.

I valori qui dichiarati sono stati ottenuti mediante test di laboratorio conformi alla direttiva o agli standard indicati e non sono idonei per confronto con i valori dichiarati di altri utensili testati sulla base della stessa direttiva o standard. Tali valori dichiarati non sono adeguati all'uso nelle valutazioni dei rischi e i valori misurati nei singoli luoghi di lavoro possono essere maggiori. I valori di esposizione e i rischi effettivi per ciascun singolo operatore sono unici e dipendono dalle modalità di lavoro dell'operatore, dal materiale con il quale si utilizza la macchina, oltre che dal tempo di esposizione, dalle condizioni fisiche dell'operatore e dalle condizioni della macchina.

Atlas Copco Construction Tools AB non può essere ritenuta responsabile delle conseguenze dell'utilizzo dei valori dichiarati - invece dei valori che riflettono l'esposizione effettiva - nella singola valutazione dei rischi di uno specifico posto di lavoro, sul quale Atlas Copco Construction Tools AB non ha controllo.

Questo utensile può causare una sindrome da vibrazioni mano-braccio se non utilizzato nella maniera idonea. Una guida EU per la gestione delle vibrazioni mano-braccio è reperibile all'indirizzo <http://www.humanvibration.com/humanvibration/EU/VIBGUIDE.html>

Raccomandiamo un programma di sorveglianza sanitaria per rilevare sintomi precoci che possano essere correlati con l'esposizione alle vibrazioni, in maniera tale che le procedure di gestione possano essere modificate per aiutare a prevenire invalidità future.

Dati su rumore e vibrazioni

Modello	Rumore		Vibrazioni	
	Valori dichiarati		Valori dichiarati	
	Pressione sonora	Potenza suono	Valori tre assi	
	EN ISO 11203	2000/14/CE	EN ISO 20643	
	L_p r=1m dB(A) rel 20µPa	L_w garantiti dB(A) rel 1pW	A media m/s ² valore	B media m/s ²
CP 0022 KL 7/8" x 3 1/4"	106	116	25,7	3,0
CP 0022 KL 7/8" x 4 1/4"	106	116	25,7	3,0
CP 0032 A 7/8" x 3 1/4"	111	122	21,9	2,7
CP 0032 A 7/8" x 4 1/4"	111	122	21,9	2,7
CP 0032 AS 7/8" x 4 1/4"	103	114	21,9	2,7
CP 0032 A 1" x 4 1/4"	111	122	21,9	2,7
CP 0069 7/8" x 4 1/4"	113	124	29,0	3,4
CP 0069 1" x 4 1/4"	113	124	29,0	3,4
CP 0069 WET 7/8" x 4 1/4"	113	124	29,0	3,4

Accessori

Descrizione	Note	Quantità	Codice
Lubrificatore 43, tipo USA (NPT)	Sia per olio minerale che sintetico	1	8900 0050 07
Lubrificatore 1300, tipo europeo (BSP)	Sia per olio minerale che sintetico	1	8900 0050 02
Separatore d'acqua, tipo USA (NPT)	Flusso d'aria <130 ft ³ /min (60 l/s)	1	8900 0050 01
Separatore d'acqua, tipo europeo (BSP)	Flusso d'aria <130 ft ³ /min (60 l/s)	1	8900 0050 00
Flessibile aria RED-X, 60 m	20 mm (3/4")	1	8900 0050 10

Dichiarazione di conformità CE

Dichiarazione di conformità CE (Direttiva CE 2006/42/CE)

Atlas Copco Construction Tools AB, con il presente documento dichiara che i macchinari elencati di seguito sono conformi ai requisiti specificati dalle Direttive CE 2006/42/CE (Direttiva macchine), nonché agli standard armonizzati specificati di seguito.

Perforatrici	Codice	Pmax (bar)
CP 0022 KL 7/8" x 3 1/4"	8900 0020 01	6.2
CP 0022 KL 7/8" x 4 1/4"	8900 0020 02	6.2
CP 0032 A 7/8" x 3 1/4"	T022318	6.2
CP 0032 A 7/8" x 4 1/4"	T022117	6.2
CP 0032 AS 7/8" x 4 1/4"	T025431	6.2
CP 0032 A 1" x 4 1/4"	T022319	6.2
CP 0069 7/8" x 4 1/4"	T006661	6.2
CP 0069 1" x 4 1/4"	T022259	6.2
CP 0069 WET 7/8" x 4 1/4"	T025423	6.2

Sono stati applicati i seguenti standard armonizzati:

EN ISO 11148-5

Rappresentante autorizzato Documentazione Tecnica:

Per Forsberg

Atlas Copco Construction Tools AB

Dragonvägen 2

Kalmar

Vice Presidente Design e Sviluppo:

Erik Sigfridsson

Produttore:

Atlas Copco Construction Tools AB

105 23 Stockholm

Sweden

Luogo e data:

Kalmar, 2012-06-30

