

# INSTRUCTION - MANUAL

## MEIHOTECH C-RINGER M-500

Thank you very much for selecting our MEIHOTECH C-Ringer.  
Read this Instruction carefully before using the C-Ringer, it will help to avoid any misuse and accident.  
This Instruction is also showing the Warranty (as seen in the right side). After reading this Instruction, keep it at a safe place or a copy nearby the C-Ringer in any case.

When opening the package, confirm that the following items are included:

- C-Ringer – Main Body..... 1
- Instruction Manual..... 1 (this manual)
- Hex Wrench..... 3

### Precautions in Use!

- \* Please follow the WARNING label (below) on the C-Ringer body.
- \* During operation, never place your hand, fingers or other parts of your body between Jaws.
- \* Not in use, please switch "OFF" the air supply to avoid the unexpected misuse
- \* In case of hanging the C-Ringer for the long term by the metal fitting, wearing down the metal fitting hanger may happen and then the C-Ringer falls off. It will harm yourself. Please be sure to check the hanger regularly. And if you find the wear, replace the new one as soon as possible.



### WARNING

1. READ AND UNDERSTAND TOOL LABELS AND MANUAL
2. ALWAYS WEAR SAFETY GLASSES, GLOVES AND EARPLUGS
3. WORK SAFELY - BE IN A SAFE AREA
4. DISCONNECT AIR SUPPLY BEFORE SERVICING
5. DISCONNECT AIR WHEN CLEARING A JAM
6. INSPECT TOOL FOR PROPER OPERATION
7. CLEAN AND LUBRICATE TOOL REGULARLY
8. KEEP FINGER OFF FROM TRIGGER WHEN NOT DRIVING FASTENERS
9. NEVER POINT OR FIRE TOOL OTHER THAN INTO WORK
10. USE CLEAN AIR. DO NOT EXCEED 0.7MPa
11. DO NOT USE OXYGEN OR COMBUSTIBLE GASES

**DANGER!**



- A careless repair and adjustment during any trouble or irregular movement may harm yourself. Especially, when jamming the C-ring, do not operate C-Ringer any longer. And do not forcibly pull the jammed C-ring out of the C-Ringer by pliers. It leads to the cause of damaging other parts of the C-Ringer. In these cases, ask our local agent near your location.
- For any part replacements, contact the agent for MEIHOTECH's genuine parts. Do not replace any other maker's parts nor make any modifications to the equipment.
- Avoid the usage under the dirty and dusty condition, and store it in dry places. And keep it away from children.
- If you still have any question of handling, please feel free to ask us or the local agent.
- Put C-Ringer in the proper case, when you carry or keep it.
- If you use the C-Ringer coated with zinc or zinc alloy, the coating may be peeled and adherent to the Jaw ditch as the zinc mass (silver colored). And it may lead to the malformation in the clinched C-Ring shape.
- In that case, stop the operation and contact the dealer near you.
- For decreasing the mass adhesion, it is recommendable to use the silicone base oil in order to apply/spray to the Jaw ditch.

Marking	Meaning of marking	
<b>Danger</b>	Indicates that errors in operation <u>will</u> lead to death or serious injury.	
<b>Warning</b>	Indicates that errors in operation <u>may</u> lead to death or serious injury.	
<b>Caution Attention</b>	Indicates that errors in operation may lead to injury (*1) to people or that errors may cause damage to physical property>(*2)	

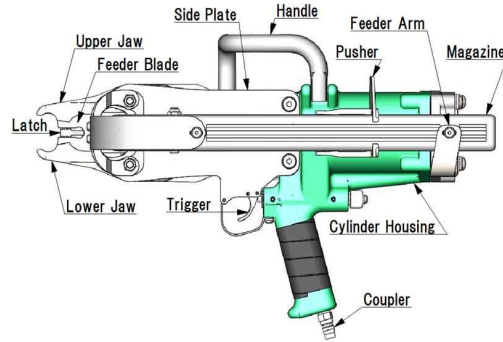
(\*1) Things as injury, burns, shock that will not require hospitalization long period outpatient treatment.  
(\*2) Physical property damage refers to wide-ranging damage to assets and materials.  
Explanation of Symbols and Instructions / Warning Notices In accordance with all supplied operating, repair manuals, warnings on the machine and devices themselves.

### C-Ringer Operation

After the air is connected, pulling the Trigger makes the Feeder Blade withdrawn as well as the Upper and Lower Jaw closed. When the C-ring is set on the Jaw, the C-ring forms a circle and clinch implemented. And the trigger is released, the Feeder Blade pushes the C-ring up to the Jaw.

MEIHOTECH C-RINGER, simple designed by a minimum quantity of parts, is intended to provide the proper performance for your clinching solution.  
If you make the proper use of the C-Ringer, it will extend a longer tool life.  
MEIHOTECH C-RINGERS are in accordance with CE Marking MD 98/37/EC and 2006/42/EC.  
Please make sure to read and understand this Instruction before you start to work.  
EN 792-1:2000+A1:2008 / ISO 12100-1 & -2 / ISO 14121 applied.

### Typical Exploded View

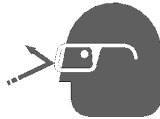


### Specifications

Model	Size LxHxW (mm)	Weight (kg)	Air Press (MPa)	Max Load	Ring Size (mm)
M-500	500x320x235	6.6	0.6±0.05	130	12

### Safety Instructions

① It is mandatory to wear safety glasses, gloves and earplugs.



WEAR SAFETY GLASSES

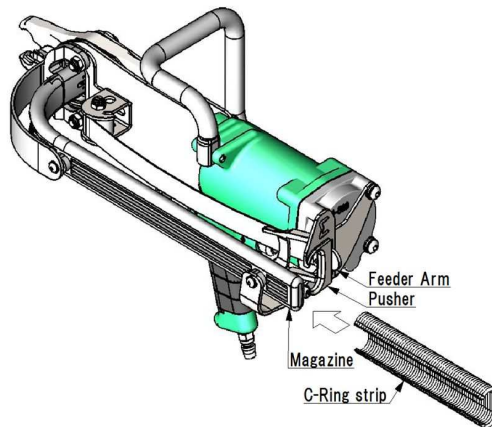


WEAR GLOVES

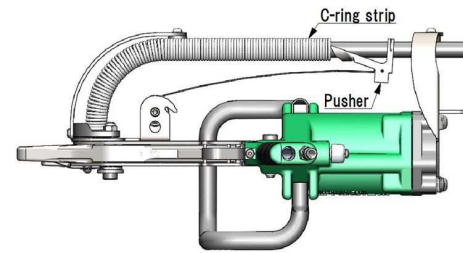


WEAR EARPLUGS

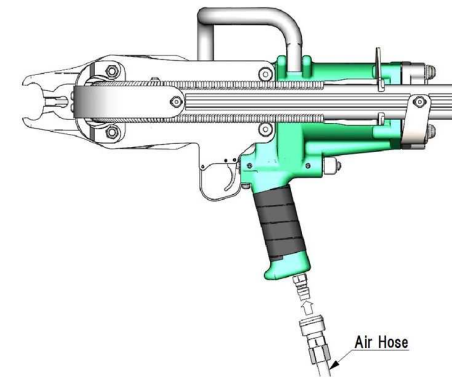
② Hold C-Ringer with hand and put C-ring strip to magazine. (Take Pusher off the Magazine, hang it on the Hook(part of Feeder Arm) and load C-ring strip.)



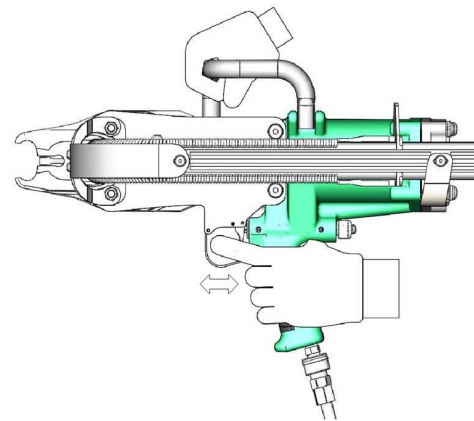
③ Pull Pusher and set it to C-ring strip.



④ Connect Air Hose and make sure that the connection is secured and not exceed max. air pressure of 0.7MPa.



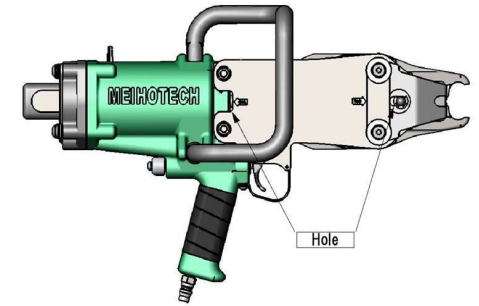
⑤ Pull and release Trigger one time, C-ring will be forwarded to the Jaw.



⑥ Preparation completed, you are ready to fasten the materials.

### Maintenance guide "Caring for your C-Ringer"

For enhancing your C-Ringer performance fully and possessing the long tool life, remove dust and put the oil into the hole.  
Using the Gear Oil / the Spray Grease with the extreme pressure agent additive are recommendable applied before work.  
Please do not use the low viscosity lubricating oil like CRC5-56 leading to running out of the oil slick and then shortening the tool life.  
Please use the air without dust and moisture.  
And avoid using over 0.7MPa of the high air pressure with your C-Ringer.



### MEIHOTECH WARRANTY STATEMENT

MEIHOTECH INC. (hereinafter referred to as MEIHOTECH) warrants that this product is free from defects in material and workmanship under normal use, within one year from the date of purchase, in the country of purchase.  
The warranty is extended to the original purchaser only. All parts except the consumable parts are warranted for one year from date of purchase and will be replaced if in the sole judgment of MEIHOTECH they should be deemed defective over and above that considered to be normal wear. This warranty excludes any defect caused by or resulting from misuse, abuse, neglect, accidental damage, incorrect voltage, or any MEIHOTECH product which may have been tampered with, altered or repaired outside an authorized MEIHOTECH service center.

If warranty service is required:

- \* Enclose a copy of your purchase receipt as proof date of purchase.
- \* Send or bring the product to a MEIHOTECH authorized service center.
- Warranty does not include any freight to and from MEIHOTECH service center.



MEIHOTECH AUTHORIZED SERVICE CENTER

(please place distributor stamp here)

# MEIHOTECH INC.

911-1, Katakura-cho, Hachioji-city, Tokyo 192-0914, JAPAN  
URL : www.meiho-tech.com  
E-mail : contact@meiho-tech.com