

Sentry portable filtration trolley

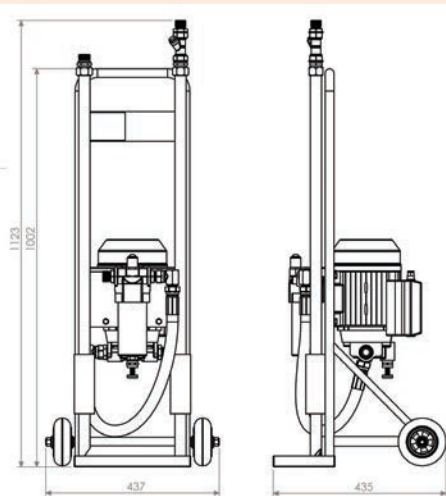
Light to medium duty filtration and transfer unit



Sentry portable Filtration trolley Light to medium duty filtration and transfer unit



Model	SFC-SEN-110-6RXXX	SFC-SEN-240-6RXXX
Width	420 mm	420 mm
Depth	450 mm	450 mm
Height	1000 mm	1000 mm
Weight	28.5 kg	28.5 kg
Frame	Mild steel	Mild steel
Finish	Powder coat	Powder coat
Voltage	110 VAC	240 VAC
Current	12.7 Amps	4.6 Amps
Power	0.75 kW	0.75 kW
Pump	Vane	Vane
Duty Cycle	Continuous	Continuous
Filtration	Single 6" SRLT housing	Single 6" SRLT housing
Internal Bypass	Pump: Adjustable to 85 psi (6 bar) Filter: Cracking 40 psi (2.8 bar) Full flow 55 psi (3.8 bar)	Pump: Adjustable to 85 psi (6 bar) Filter: Cracking 40 psi (2.8 bar) Full flow 55 psi (3.8 bar)
Filter Indicator	Mechanical pop-up	Mechanical pop-up
Pressure	85 psi (6 bar)	85 psi (6 bar)
Temperature	-10°C - 60°C	-10°C - 60°C
Flow	25 L/min max	25 L/min max
Viscosity	320 cst max	320 cst max
Environment	IP55	IP55
Connections	3/4" BSP 60° Cone (M)	3/4" BSP 60° Cone (M)
Inlet hose	3m 3/4" single wire	3m 3/4" single wire
Outlet hose	3m 3/4" single wiper 1m lance	3m 3/4" single wiper 1m lance



Filter Element Options

Rating	Replace 6RXXX with
1 micron absolute	6RZ1
3 micron absolute	6RZ3
5 micron absolute	6RZ5
10 micron absolute	6RZ10
25 micron absolute	6RZ25
3 micron nominal	6R3
10 micron nominal	6R10
100 micron nominal recleanable	6RM100
Water removal	6RW