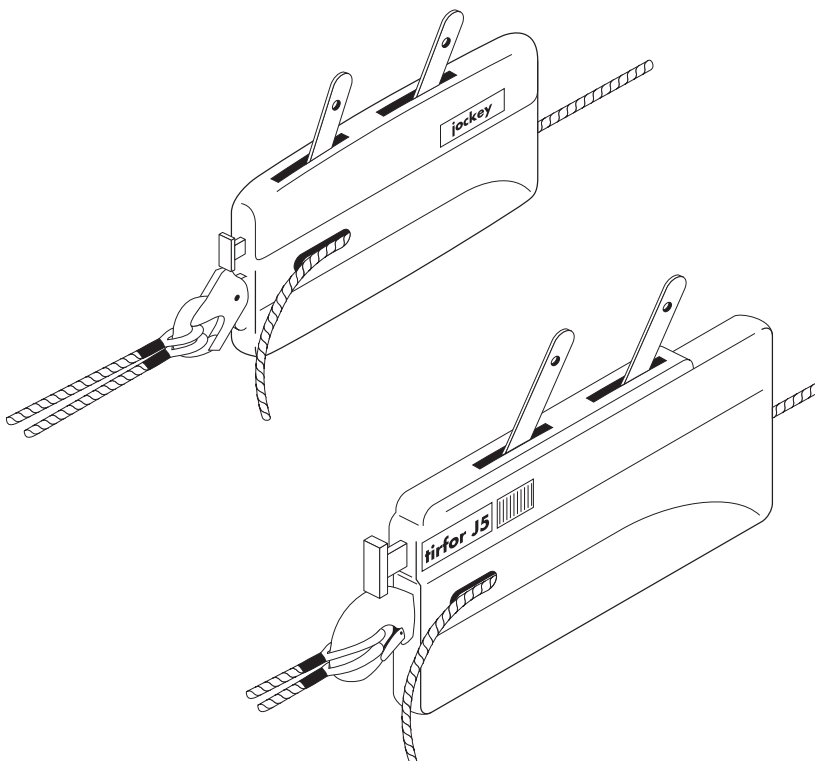


# jockey™ & J5

lifting and pulling machines  
argani manuali  
aparatos de elevación y tracción  
guincho de maxilas

2006/42/CE



English

Español

Italiano

Português

GB

Operation and  
maintenance manual  
Original manual

IT

Istruzioni d'uso e manutenzione  
Traduzione del manuale originale

ES

Manual de empleo y manteni-  
miento  
Traducción del manual original

PT

Instruções de uso e manutençã  
Tradução do manual original



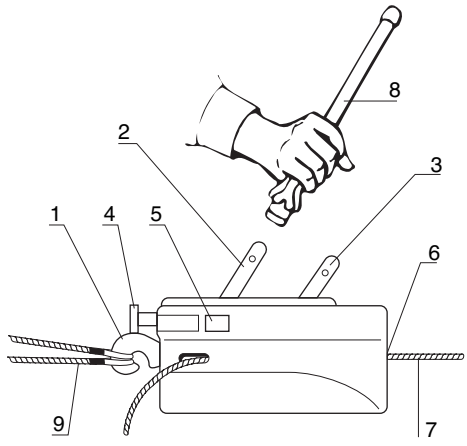
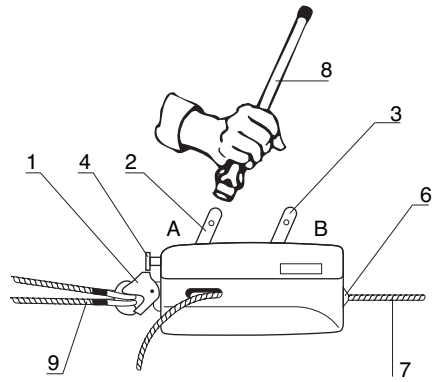
**CONTENTS**

**Page**

General warning	3
Technical data	4
1. Introduction and description of equipment	4
2. Rigging arrangements	4
3. Installing the wire rope	5
4. Releasing and closing the jaws	5
5. Anchoring	6
6. Operation	6
7. Releasing the wire rope and storage	6
8. Safety devices	6
9. Wire rope	7
10. Maintenance instructions	7
11. Warnings against hazardous operations	7
12. Troubleshooting	8
13. Health and safety at work	8

**PICTURES**

A, B



- 1. Hook / anchor pin
- 2. Forward operating lever
- 3. Reverse operating lever
- 4. Rope release lever
- 5. Side buttons
- 6. Rope guide
- 7. Wire rope
- 8. Operating handle
- 9. Anchor sling

Always concerned to improve the quality of its products, the TRACTEL® Group reserves the right to modify the specifications of the equipment described in this manual.

The companies of the TRACTEL® Group and their agents or distributors will supply on request descriptive documentation on the full range of TRACTEL® products : lifting and pulling machines, permanent and temporary access equipment, safety devices, electronic load indicators, accessories such as pulley blocks, hooks, slings, ground anchors, etc.

**The TRACTEL® network is able to supply an after-sales and regular maintenance service.**

## GENERAL WARNING

1. Before installing and using this unit, to ensure safe, efficient use of the unit, be sure you have read and fully understood the information and instructions given in this manual. A copy of this manual should be made available to every operator. Extra copies of this manual will be supplied on request.
2. Do not use the unit if any of the plates mounted on the unit is missing or if any of the information on the plates, as indicated at the end of the manual, is no longer legible. Identical plates will be supplied on request; these must be secured on the unit before it can be used again.
3. Make sure that all persons operating this unit know perfectly how to use it in a safe way, in observance of all safety at work regulations. This manual must be made available to all users.
4. This unit must only be used in compliance with all applicable safety regulations and standards concerning installation, use, maintenance and inspection of equipment lifting devices.
5. For all professional applications, the unit must be placed under the responsibility of a person who is entirely familiar with the applicable regulations and who has the authority to ensure the applicable regulations are applied if this person is not the operator.
6. Any person using the unit for the first time must first verify that he has fully understood all the safety and correct operation requirements involved in use of the unit. The first-time operator must check, under risk-free conditions, before applying the load and over a limited lifting height, that he has fully understood how to safely and efficiently use the unit.
7. The unit must only be installed and set into service under conditions ensuring the installer' safety in compliance with the regulations applicable to its category.
8. Each time, before using the unit, inspect the unit for any visible damage, as well as the accessories used with the unit.
9. Tractel® declines any responsibility for use of this unit in a setup configuration not described in this manual.
10. The unit must be suspended vertically to an anchoring point and a structure having sufficient strength to withstand the maximum utilization load indicated in this manual. If several units are used, the strength of the structure must be compatible with the number of lifting units used and with the maximum utilization load of the units.
11. Tractel® declines any responsibility for the consequences of any changes made to the unit or removal of parts forming part of the unit.
12. Tractel® will only guaranty operation of the unit provided it is equipped with an original Tractel® wire rope in accordance with the specifications indicated in this manual.
13. Tractel® declines any responsibility for the consequences resulting from disassembly of the unit in any way not described in this manual or repairs performed without Tractel® authorization, especially as concerns replacement of original parts by parts of another manufacturer.
14. Tractel® declines any responsibility for the consequences resulting from any unauthorized changes or repairs to the wire rope.
15. The unit must never be used for any operations other than those described in this manual. The unit must never be used to handle any loads exceeding the maximum utilization load indicated on the unit. It must never be used in explosive atmospheres.
16. The unit must never be used for lifting people.
17. The unit is designed for manual operation and must never be motorized.
18. When a load is to be lifted by several units, a technical study must first be carried out by a qualified technician before installation of the units. The installation must then be carried out in compliance with the study, in particular to ensure an even distribution of the load under appropriate conditions. Tractel® declines any responsibility for the consequences resulting from use of a Tractel® device in combination with other lifting devices of another manufacturer.
19. Never park or circulate under a load. Access to the area under the load should be indicated by signs and prohibited.
20. To ensure safe use of the unit, it should be visually inspected and serviced regularly. The unit must be periodically inspected by a Tractel®-approved repair agent as indicated in this manual.
21. The wire rope must be in good condition to ensure safe, correct operation of the unit. Discard any wire rope which shows any signs of excess wear or damage. The condition of the wire rope should be checked each time before using the unit as detailed in the "wire rope" section.
22. When the unit is not being used, it should be stored in a location inaccessible to persons not authorized to use the unit.
23. When using the unit, the operator must ensure that the wire rope remains constantly tensioned by the load, and more particularly, the operator must ensure that the load is not temporarily snagged by an obstacle when coming down as this could result in rupture of the wire rope when the load is released from its obstacle.
24. If the unit is to be definitively removed from use, make sure the unit is discarded in a way which will prevent any possible use of the unit. All environment protection regulations must be observed.

**IMPORTANT :** For professional applications, in particular if the unit is to be operated by an employee, make sure that you are in compliance with all safety at work regulations governing installation, maintenance and use of the equipment, and more specifically as concerns the required inspections : verification on commissioning by user, periodic inspections, and inspections subsequent to disassembly or repair operations.

## TECHNICAL DATA

MODELS		Jockey	Jockey J5
Working load limit	kg	300	500
Weight machine	kg	1,750	3,750
operating handle	kg	0,270	0,350
standard length of wire rope 10m/20m	kg	1,0 / -	1,9 / 3,7
Total weight of standard equipment	kg	3,0 / -	6,0 / 7,8
Machine dimensions			
length	mm	320	370
height	mm	200	215
width	mm	40	55
operating handle	mm	400	500
JOCKEY wire rope			
diameter	mm	4,72	6,5
guaranteed breaking strain*	daN	1800	3100
weight per meter	kg	0,09	0,185
Rope travel (forward/reverse)**	mm	28 / 32	24 / 34

\* Including end fittings of the wire rope.

\*\* One complete cycle of the operating lever at maximum working load.

### 1. INTRODUCTION AND DESCRIPTION OF EQUIPMENT

The JOCKEY™ machine is a hand-operated lifting and pulling machine. It is versatile, portable and multi-purpose, not only for pulling and lifting but also for lowering, tensioning and guying.

The originality of the TIRFOR® machine is the principle of operation directly on the wire rope which passes through the mechanism rather than being reeled onto a drum of a hoist or conventional winch. The pull is applied by means of two pairs of self energised jaws which exert a grip on the wire rope in proportion to the load being lifted or pulled. A telescopic operating lever fitted to either the forward or the reverse lever transmits the effort to the jaw mechanism to give forward or reverse movement of the wire rope.

The machine is fitted with a hook or anchor pin, depending on the model, so that it can be secured quickly to any suitable anchor point.

The JOCKEY™ machines, intended for lifting and pulling materials, are available in two models :


- Jockey™ capacity 300 kg,
- Jockey™ J5 capacity 500 kg.

**Jockey™ model :** the standard kit comprises a machine with its operating handle, a 10 m length of special Jockey™ wire rope fitted with a hook with safety catch and two wire rope slings, one 1m in length and the other 2 m in length. The equipment is contained in a sturdy carton for carrying and storing the kit. Other lengths of wire rope are available on special order.

**Jockey™ J5 model :** the J5 is available in two standard kits comprising a machine with its operating handle and with:

- either a 10m length of special wire rope fitted with a hook with safety catch and two anchor slings of 2m in length;
- or a 10m length of special wire rope fitted with a hook with safety catch, two anchor slings of 2m in length and pulley block allowing the capacity of the machine to be doubled.

This manual together with a guarantee card are supplied with each machine, as well as the CE declaration of conformity.

 **IMPORTANT :** TIRFOR® wire rope has been specially designed to meet the particular requirements of the JOCKEY™ machine. The manufacturer does not guarantee the safe operation of machines used with wire rope other than TIRFOR® wire rope.

### 2. RIGGING ARRANGEMENTS

Various ways of rigging are shown in Figs. 2.1, 2.2, 2.3 and 2.4. Figs. 4 and 5 show particular arrangements (one forbidden and the other recommended).

The machine may be anchored to a fixed point with the wire rope travelling towards the machine (Figs. 2.1, 2.2, 2.3), or travel along the wire rope, with the load, the wire rope itself anchored to a fixed point (Fig. 2.4).

In example 2.2, the maximum working load of the pulley and the anchor point should be equal to or greater than twice the load.

N.B. Whatever the rigging arrangement, and if the machine is anchored directly to a fixed point, ensure that there are no obstructions around the machine which could prevent the wire rope, the machine and anchor from operating in a straight line. It is therefore recommended to use a sling of an appropriate capacity between the anchor point and the machine (Fig. 3).



**WARNING** : Any rigging arrangement which requires the calculation of the forces applied should be checked by a competent engineer, with special attention to the appropriate strength of fixed point used. For work such as guiding the trunk in tree felling, the operator should ensure that he is outside the danger area by passing the wire rope around one or more return pulleys. The capacity of the machine may be increased considerably for the same effort by the operator by using multiple sheave blocks. (See the examples set out in Figs. 6.1 and 6.2). The increase in the capacity shown is reduced depending on the efficiency of the pulleys. The diameter of the pulleys used should be equal to at least 18 times the diameter of the wire rope. (Refer to the applicable regulations).

**For any rigging arrangement other than those described in this manual, please consult TRACTEL® S.A.S. or a competent specialist engineer before operating the machine.**

### 3. INSTALLATING THE WIRE ROPE

N.B. When handling the wire rope it is recommended to protect the hands by using work gloves.

#### 3.1. Jockey™ (green plastic casing).

1. Uncoil the wire rope in a straight line to prevent loops or kinks.
2. Release the internal mechanism (See section 4 : 'Releasing and closing the jaws').
3. Insert the tapered end of the wire rope through the rope guide E and push it through the mechanism until it emerges at S (Fig. 7.2).
4. Pull the slack wire rope through the machine to the point required.
5. Engage the jaws by operating the rope release catch (See section 4 : 'Releasing and closing the jaws').
6. Couple the two eyes of the sling which is around the anchor point to the hook of the machine. (See section 5 : 'Anchoring').

7. Fit the operating handle on the forward operating lever and by moving it back and forth the wire rope will be pulled through the machine. The reverse operating lever allows the user to slacken off tension or to lower the load.

After this procedure the machine is ready for operation, providing the load is correctly anchored to the machine or the wire rope (See section 5 : 'Anchoring' and section 2 : 'Rigging arrangement').

If the wire rope is to be anchored to a high anchor point, the wire rope should be anchored before fitting the wire rope in the machine.

#### 3.2. Jockey™ J5 (aluminium casing)

1. Uncoil the wire rope in a straight line to prevent loops or kinks.
2. Release the internal mechanism (see section 4 : 'Releasing and closing the jaws').
3. Insert the tapered end of the wire rope through the rope guide E and push it through the mechanism until it emerges at S (Fig. 8.2).
4. Couple the two eyes of the sling which is around the anchor point to the hook of the machine. (See section 5 : 'Anchoring').
5. Pull the slack wire rope through the machine to the point required.
6. Engage the jaws by operating the rope release catch (See section 4 : 'Releasing and closing the jaws').
7. Fit the operating handle on the forward operating lever and by moving it back and forth the wire rope will be pulled through the machine. The reverse operating lever allows the user to slacken off tension or to lower the load.

After this procedure the machine is ready for operation, providing the load is correctly anchored to the machine or the wire rope (See section 5 : 'Anchoring' and section 2 : 'Rigging arrangement').

If the wire rope is to be anchored to a high anchor point, the wire rope should be anchored before fitting the wire rope in the machine.

### 4. RELEASING AND CLOSING THE JAWS

Each machine is fitted with a rope release catch (4) for releasing the jaw mechanism and which should only be operated when the machine is not under load.

There are two positions for the rope release lever : released or engaged.

N.B. When not in operation, it is recommended that the rope release lever should be in the engaged position. The machine must therefore be released before attempting to feed in the wire rope.

## 4.1. Jockey™

**Releasing :** Release the rope release catch by pushing it against the machine lightly and upwards. Then pull the catch outwards. (Fig. 7.1).

**Closing :** Push the rope release catch towards the machine and then downwards, until it locks in position. (Fig. 7.2).

## 4.2. Jockey™ J5


**Releasing :** Release the rope release catch by pushing it against the machine and then pressing in the two catches on either side of the machine. Then pull the rope release catch outwards. (Fig. 8.1).

**Closing :** Push the rope release catch towards the machine until it locks in position. (Fig. 8.2).

## 5. ANCHORING

**Failure to anchor the JOCKEY™ machine correctly runs the risk of a serious accident. The user must always check, before operating the machine, that the anchor point of the machine and the wire rope are of sufficient strength to take the load applied (lifting or pulling).**

It is recommended that JOCKEY™ machines should be anchored to a fixed point or to the load using an appropriate capacity sling. **It is forbidden to use the machine's wire rope as a sling** by passing it around the load and hooking it back onto itself (Fig.9-1 : incorrect anchoring arrangement; Fig.9-2 : correct anchoring arrangement).

 **Warning :** It is essential for the safe operation of the machine to ensure that, before loading the machine, the anchor points, hooks or pins, are correctly secured, (with the safety catch correctly located on the hook - Fig. 12).

## 6. OPERATION

JOCKEY™ machines are very easy to use. Place the telescopic operating handle on either the forward or reverse operating lever, lock it into position by twisting, and move the operating handle to and fro. The operating arc is variable for ease of operation.

When operation stops, both jaws automatically grip the wire rope and hold the load which is spread equally between the jaws.

The to-and-fro operation of the forward or reverse lever gives continuous movement of the load.

## 7. RELEASING THE WIRE ROPE AND STORAGE

### 7.1. Jockey™

When the work is completed take the load off the machine before attempting to release the jaws. To do this, operate the reverse operating lever until there is no tension in the wire rope.

Remove the sling and release the machine as follows :

- release the mechanism by pushing the rope release catch towards the machine and upwards (Fig. 7.1).
- pull the wire rope out with one hand while holding the machine by its rope release catch with the other hand (Fig. 10).
- carefully coil the wire rope avoiding any loops or kinks.

### 7.2. Jockey™ J5

When the work is completed take the load off the machine before attempting to release the jaws. To do this, operate the reverse operating lever until there is no tension in the wire rope.

Remove the sling and release the machine as follows :

- release the mechanism by pushing the rope release catch towards the machine ;
- at the same time, press the two catches, one on either side of the machine ;
- release the rope release catch which should come out from the machine (pull it if necessary). (Fig. 8.1) ;
- pull the wire rope out which one hand while holding the machine by its rope release catch with the other hand (Fig. 11).
- carefully coil the wire rope avoiding any loops or kinks.

## 8. SAFETY DEVICES

### 8.1. Jockey™

Only use the operating handle supplied. Its length has been specifically set in accordance with the capacity of the machine. The handle breaks if the machine is overloaded.

### 8.2. Jockey™ J5

The Jockey™ J5 has a shear pin which breaks should the machine be overloaded. To replace the shear pin :

- Unscrew the 5 side case fixing screws.
- Remove the side case and then the mechanism. Knock out the sheared pin with a 5 mm punch. Position one of the two spare shear pins located in the side case corner and drive it in with hammer.
- Reassemble the machine.



**Warning** : It is forbidden to replace sheared pins by nonstandard pins. Use only genuine TRACTEL® shear pins of the same model.

## 9. WIRE ROPE

To guarantee the safe operation of JOCKEY™ machines, it is essential to use them exclusively with TIRFOR® wire rope which has been specially designed to meet the requirements of the JOCKEY™ machine.

One end of the wire rope has a safety hook, fitted to a thimble fixed by a metal ferrule (see Fig. 12). The other end of the wire rope is fused and tapered (see Fig. 13). **A wire rope in good condition is a guarantee of safety, to the same extent as a machine in good condition.** It is necessary to continuously monitor the state of wire rope, to clean and oil it with a rag soaked with motor oil or grease. Grease or oil containing graphite additives or molybdenum disulphide must not be used.

### Visual examination of the wire rope

The wire rope should be examined daily to detect any signs of wear (damage or broken wires : see examples in Fig. 14).

In case of any apparent wear, have the wire rope checked by a competent person. Any wire rope with a reduction from the nominal diameter by more than 10 % should be replaced. (see Fig. 15 for the correct method of measuring the diameter of a wire rope).



**IMPORTANT** : It is recommended, specially for lifting applications, to ensure that the length of wire rope is greater than actually required. Allow an extra meter approximately.

When lifting or lowering loads over long lengths of wire rope, steps should be taken to stop the load from rotating to prevent the wire rope from unlaying.

Never allow a tensioned wire rope to rub over sharp edges. The wire rope must only be used with pulleys of an appropriate diameter.

Never expose the wire rope to temperatures beyond 100 degrees C.

Never use wire rope that has been subject to damage such as fire, corrosive chemicals or atmosphere, or exposed to electric current.

Storage : See section 7.

## 10. MAINTENANCE INSTRUCTIONS

The machine should be inspected, cleaned and lubricated at regular intervals, at least annually, by an approved TRACTEL® S.A.S. repairer.

Never use grease or oil containing graphite additives or molybdenum disulphide .

To clean the machine , allow the machine to soak in a bath of some proprietary cleansing fluid but not acetone and derivatives or ethylene trichloride and derivatives. Then shake the machine vigorously to loosen foreign matter and turn it upside down to allow the dirt to come out through the openings for the operating levers. Allow the mechanism to drain and become dry.

After this treatment, **ensure that the machine is well lubricated** by applying a quantity of oil (type SAE 90 - 120) onto the internal mechanism through the openings for the operating levers. To carry out this procedure it is best for the machine to be not under load and in the released position. Alternatively operate the forward and reverse operating levers to allow the lubricant to penetrate all parts of the mechanism.

N.B. : Excess lubrication cannot cause the machine or wire rope to slip.

Any machine, the side cases of which show signs of dents or damage, or of which the hook is damaged, should be returned to an approved repairer.

GB



## 11. WARNINGS AGAINST HAZARDOUS OPERATIONS

The operation of JOCKEY™ machines, in accordance with the instructions of this manual, is a guarantee of safety. Nevertheless, it is useful to draw the attention of users to the **following warnings** :

- JOCKEY™ machines described in this manual must not be used for lifting people.
- Never attempt to motorise the models of JOCKEY™ machines described in this manual.
- JOCKEY™ machines must not be used beyond their nominal capacity.
- JOCKEY™ machines must not be used for applications other than those for which they are intended.
- Never attempt to operate the rope release catch whilst the machine is under load.
- Always ensure that the operating levers and the rope release catch are not obstructed.
- Never operate the forward and reverse operating levers at the same time.
- Use only the operating handle supplied to operate the JOCKEY™ machine.
- It is forbidden to replace sheared pins by nonstandard pins. Use only genuine TRACTEL® shear pins of the same model (Jockey™ J5).
- Never anchor the machine other than by its appropriate anchor point.
- Ensure that there are no obstructions around the machi-

ne which could prevent the machine, the wire rope and the anchor points from operating in a straight line.

- Never use the JOCKEY™ wire rope as a sling.
- Never apply a load to the loose wire rope exiting from the JOCKEY™ machine.
- Never subject the controls to sharp knocks.
- Do not operate the JOCKEY™ machine so that the talurit pressing of the wire rope hook fouls the machine side case.
- Never attempt to reverse the rope completely through the machine whilst under load.

## 12. TROUBLESHOOTING

**1) The forward operating lever moves freely and does not operate the mechanism :** the machine has been overloaded and the shear pin has sheared. See section 8.2 for replacing the shear pin (Jockey™ J5).

### 2) Pumping :

A lack of lubricant in a machine sometimes brings about a condition known as 'pumping' which is not at all dangerous but which is inconvenient. This situation occurs when the jaw which is gripping the rope becomes locked onto it preventing the other jaw from taking over the load. As the operating lever is moved in one direction

the machine travels a few centimetres, but when the operating lever travels in the other direction the machine moves back the same distance in sympathy with the jaw which is locked onto the rope. The JOCKEY™ machine should be thoroughly lubricated and it will recommence working normally. If necessary, operate the machine in reverse direction over a short distance to help lubrication of the mechanism.

### 3) Jerkiness :

This is also a symptom of lack of lubrication. The JOCKEY™ machine should be thoroughly lubricated. Follow the instructions for 'pumping' above.

### 4) Blockage :

If the wire rope becomes blocked in the machine, generally because a damaged section of wire rope is stuck within the jaws, it is imperative to stop operating the machine. The load should be taken by another machine on a separate wire rope, or by another means, whilst ensuring that all safety precautions are taken. When the blocked machine is no longer under load, it may be released and removed. Should this not be possible, return the machine and wire rope to an approved repairer.

## 13. REGULATORY CHECKS

Company with salaried personnel operating a JOCKEY™ or JOCKEY™ J5 lifting and pulling machine are required to apply the labor regulations governing safety.

In France, the regulations require that such machines be subject to an initial inspection prior to commissioning, with periodic checks performed subsequently (law dated June 9, 1993)

**Check that the labels are in place.  
Replacement labels can be supplied on request.**



## INDICE

	Página
Instrucciones previas	3
Características técnicas	4
1. Presentación y descripción	4
2. Esquemas de montaje	4
3. Puesta en servicio	5
4. Desembrague y embrague	5
5. Anclaje	6
6. Manejo	6
7. Finalización de trabajo y almacenamiento	6
8. Dispositivos de seguridad	6
9. Cable	7
10. Mantenimiento del aparato	7
11. Contraindicaciones de empleo	7
12. Anomalías de funcionamiento	8
13. Normativa de seguridad	8

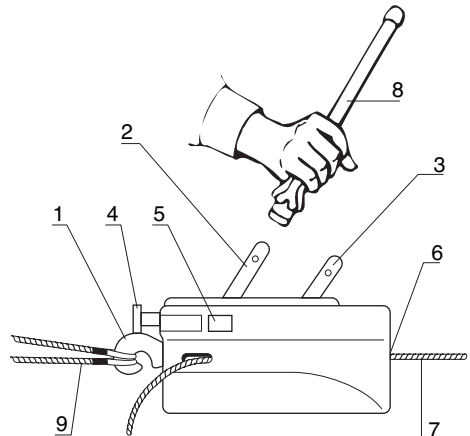
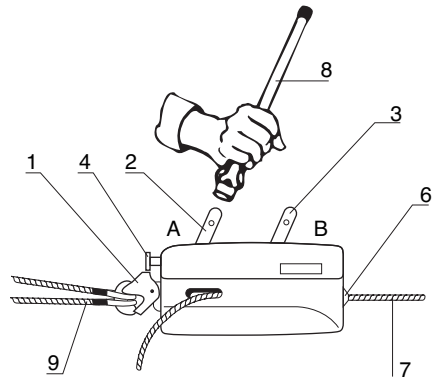
## ESQUEMAS

A, B

Con el fin de mejorar constantemente sus productos el Grupo TRACTEL® se reserva el derecho de hacer cualquier modificación que crea útil en los productos descritos en el presente manual.

Tractel® Ibérica y sus distribuidores autorizados les facilitarán, bajo demanda, documentación relativa a la gama de los otros productos TRACTEL® : aparatos de elevación y tracción, equipos de acceso en obra y para fachadas, dispositivos de seguridad, indicadores electrónicos de carga, accesorios tales como poleas, ganchos, eslingas, anclajes, etc...

**TRACTEL® IBERICA S.A. y sus talleres autorizados pueden ofrecerle un servicio de post-venta y de mantenimiento periódicos.**



1. Gancho / bulón de amarre
2. Palanca marcha adelante
3. Palanca marcha atrás
4. Empuñadura de desembrague
5. Botones laterales
6. Entrada del cable
7. Cable de tracción
8. Palanca de maniobra
9. Eslinga de amarre

## INSTRUCCIONES PREVIAS

1. Antes de instalar y utilizar este aparato, es indispensable, para su seguridad de empleo y su eficacia, leer el presente folleto y cumplir con sus prescripciones. Un ejemplar de este folleto debe ser conservado a disposición de todo operador. Se puede suministrar ejemplares suplementarios a pedido.
2. No utilizar este aparato si una de las placas fijadas en el aparato, o si una de las inscripciones que figuran ahí, tal como está indicado al final del presente manual, ya no está presente o no es legible. Se puede suministrar placas idénticas a pedido las cuales deben ser fijadas antes de continuar la utilización del aparato.
3. Asegúrese de que toda persona a quien confía la utilización de este aparato conoce su manejo y está apta para asumir las exigencias de seguridad que este manejo exige para el empleo concernido. El presente folleto debe ser puesto a su disposición.
4. La utilización de este aparato debe cumplir con la reglamentación y las normas de seguridad aplicables referentes a la instalación, la utilización, el mantenimiento y el control de los aparatos de elevación de material.
5. Para todo uso profesional, este aparato debe ser puesto bajo la responsabilidad de una persona que conozca la reglamentación aplicable, y que tenga autoridad para encargarse de su aplicación si no es su operador.
6. Toda persona que utiliza este aparato por primera vez debe verificar, sin correr riesgos, antes de aplicarle la carga, y en una altura de elevación baja, que ha comprendido todas sus condiciones de seguridad y eficacia de su manejo.
7. La colocación y la puesta en funcionamiento de este aparato deben ser realizadas en condiciones que garanticen la seguridad del instalador conforme a la reglamentación aplicable a su categoría.
8. Antes de cada utilización del aparato, verificar que está en buen estado visible, así como los accesorios utilizados con el aparato.
9. Tractel® rehúsa su responsabilidad por el funcionamiento de este aparato en una configuración de montaje no descrita en el presente folleto.
10. El aparato debe ser suspendido verticalmente de un punto de amarre y de una estructura suficientemente resistentes para soportar la carga máxima de utilización indicada en el presente folleto. En caso de utilización de varios aparatos, la resistencia de la estructura debe ser función del número de aparatos, según su carga máxima de utilización.
11. Toda modificación del aparato fuera del control de Tractel®, o la supresión de piezas que forman parte de éste, exoneran a Tractel® de su responsabilidad.
12. Tractel® sólo garantiza el funcionamiento del aparato si está equipado con un cable Tractel® original, según las especificaciones indicadas en el presente manual.
13. Toda operación de desmontaje de este aparato no descrita en este folleto, o toda reparación realizada fuera del control de Tractel®, exoneran a Tractel® de su responsabilidad, especialmente en el caso de reemplazo de piezas originales por piezas de otra procedencia.
14. Toda intervención en el cable para modificarlo o repararlo fuera del control de Tractel® excluye la responsabilidad de Tractel® en lo que respecta a las consecuencias de esta intervención.
15. Este aparato nunca debe ser utilizado para operaciones que no sean aquellas descritas en este folleto. Nunca debe ser utilizado para una carga superior a la carga máxima de utilización indicada en el aparato. Nunca debe ser utilizado en una atmósfera explosiva.
16. Está prohibido utilizar este aparato para la elevación o el desplazamiento de personas.
17. Este aparato manual nunca debe ser motorizado.
18. Cuando una carga debe ser levantada por varios aparatos, la instalación de éstos debe ser precedida de un estudio técnico realizado por un técnico competente, y luego conducida conforme a este estudio, sobre todo para asegurar la distribución constante de la carga en condiciones convenientes. Tractel® rehúsa toda responsabilidad para el caso en que el aparato Tractel® fuese utilizado junto con otros aparatos de elevación de otro origen.
19. Nunca estacionar o circular debajo de la carga. Señalizar y prohibir el acceso a la zona situada debajo de la carga.
20. El control permanente del buen estado visible del aparato y su mantenimiento correcto forman parte de las medidas necesarias para su seguridad de empleo. El aparato debe ser verificado periódicamente por un técnico de reparación autorizado de Tractel®, como está indicado en este folleto.
21. El buen estado del cable es una condición esencial de seguridad y de buen funcionamiento del aparato. El control del buen estado del cable debe ser realizado en cada utilización tal como está indicado en el capítulo « cable ». Todo cable que presente signos de deterioro debe ser desechado definitivamente.
22. Cuando el aparato no es utilizado, debe ser colocado fuera del alcance de personas no autorizadas a utilizarlo.
23. El usuario debe asegurarse, durante la utilización, de que el cable está constantemente tensado por la carga, y particularmente que ésta no es neutralizada temporalmente por un obstáculo en la bajada, lo que puede ocasionar un riesgo de rotura del cable cuando la carga se libera de su obstáculo.
24. En caso de interrupción definitiva de su utilización, desechar el aparato en condiciones que impidan su utilización. Respetar la reglamentación sobre la protección del medio ambiente.

**IMPORTANTE:** Para todo uso profesional, especialmente si usted debe confiar este aparato a personal asalariado o asimilado, cumpla con la reglamentación del trabajo aplicable al montaje, el mantenimiento y la utilización de este material, sobre todo en lo referente a las verificaciones exigidas: verificación en la primera puesta en servicio por el usuario, verificaciones periódicas y después de un desmontaje o reparación.

## CARACTERÍSTICAS TÉCNICAS

MODELOS		Jockey	Jockey J5
Carga máxima	kg	300	500
Peso del aparato	kg	1,75	3,75
de la palanca de maniobra	kg	0,27	0,35
del cable standard 10m/20m	kg	1,0 / -	1,9 / 3,7
Peso total del equipo standard	kg	3,0 / -	6,0 / 7,8
Dimensiones del aparato			
longitud	mm	320	370
altura	mm	200	215
anchura	mm	40	55
palanca de maniobra	mm	400	500
Cable original JOCKEY			
diámetro	mm	4,72	6,5
carga de ruptura garantizada*	daN	1800	3100
peso del metro	kg	0,09	0,185
Avance del cable (marcha adelante / atrás)**	mm	28 / 32	24 / 34

\* Incluidas las terminaciones del cable

\*\* Avance del cable para la carga máxima por recorrido completo de ida y vuelta de la palanca.

### 1. PRESENTACION Y DESCRIPCION DEL APARATO

El JOCKEY™ es un aparato portátil de tracción y elevación con cable pasante que hace las mismas funciones que un cabrestante o polipasto manual, en gran variedad de condiciones de aplicación con ventajas exclusivas.

Su originalidad radica en el principio de arrastre del cable. Este en lugar de enrollarse en un tambor como en los polipastos o cabrestantes clásicos es arrastrado de manera rectilínea por dos mordazas de la misma forma como si fueran dos manos que tiran de él o lo acompañan en su descenso. El mecanismo es de autocierre. El esfuerzo se transmite a las palancas de maniobra (marcha adelante o marcha atrás) por medio de una palanca telescópica extraíble.

El aparato va provisto de un sistema de anclaje : gancho o bulón de amarre según modelo, que hace que se pueda fijar rápidamente a cualquier punto deseado que tenga la suficiente resistencia. Los aparatos JOCKEY™ y JOCKEY™ J5 destinados a la tracción o a la elevación de materiales se presentan en dos modelos :

- Jockey™, con capacidad para 300 kgs.
- Jockey™ J5, con capacidad para 500 kgs.

**Modelo Jockey™ :** Cada entrega de tipo standard se compone de un aparato con su palanca de maniobra, un cable especial de 10 m. de longitud equipado con un gancho provisto de cierre de

seguridad y dos eslingas de amarre, una de 1 m. y otra de 2 m., todo dentro de un maletín de transporte. (bajo pedido se puede servir cualquier otra longitud de cable o de eslingas).

**Modelo Jockey™ J5 :** El jockey™ J5 se puede servir en dos versiones standard compuestas de un aparato con su palanca de maniobra y de :

- o bien un cable especial de 10 m. de longitud equipado con un gancho provisto de cierre de seguridad y dos eslingas de amarre de 2 m.

- o bien un cable especial de 10 m. de longitud equipado con un gancho provisto de cierre de seguridad, dos eslingas de amarre de 2 m. y una polea para multiplicar, por reenvío, la capacidad de carga del aparato.

Junto con cada aparato se entregan, este manual, una tarjeta de garantía y la declaración de conformidad CE.

**⚠ IMPORTANTE :** Por su singular diseño, con estos aparatos JOCKEY™ hay que utilizar los cables TIRFOR® fabricados especialmente para ellos. TRACTEL® IBÉRICA no garantiza su seguridad de funcionamiento con cables diferentes de los cables TIRFOR®.


### 2. ESQUEMAS DE MONTAJE

Las posibilidades de montaje vienen indicadas en las ilustraciones : 2.1, 2.2, 2.3 y 2.4. Las ilustra-

ES

ciones 4 y 5 muestran casos especiales ( montaje incorrecto y montaje correcto).

El aparato puede anclarse a un punto fijo y en este caso el cable se desplaza a través del aparato (Fig. 2.1, 2.2, 2.3), o bien desplazarse el aparato enganchado a la carga siendo el cable en este caso el que está anclado a un punto fijo (Fig. 2.4). En el supuesto 2.2 la resistencia de la polea y de su fijación debe ser superior a dos veces la carga. N.B. Sea cual sea el esquema de montaje y en el caso que el aparato esté anclado directamente a un punto fijo es necesario que pueda alinearse sin problemas en la dirección de la carga o del esfuerzo. A tal fin se aconseja colocar una eslinga de resistencia apropiada entre el punto de anclaje y el aparato (Fig.3).

**ES**  **ADVERTENCIA** : Todo anclaje que requiera un cálculo de las fuerzas aplicadas, debe ser controlado por un técnico competente, de manera especial en lo que a la resistencia necesaria de los puntos fijos establecidos se refiere.

En trabajos tales como la orientación de la caída de un árbol, el operario debe situarse fuera de la zona de peligro haciendo pasar el cable por una o varias poleas de reenvío.

La capacidad del aparato puede multiplicarse considerablemente con el mismo esfuerzo del operario empleando poleas de reenvío ( ver ejemplos de esquemas en Fig. 6.1 y 6.2). El aumento de capacidad indicado se reduce según el rendimiento de las poleas. El diámetro de las poleas utilizadas debe ser igual al menos a 18 veces el diámetro del cable (ver la normativa aplicable si es necesario).

**Si se trata de un montaje diferente de los que se han descrito en este manual, consultar a TRAC-TEL® IBÉRICA o a un especialista competente antes de hacerlo.**

### 3. PUESTA EN SERVICIO

Nota : Se recomienda proteger las manos con guantes de trabajo para manipular el cable y las eslingas.

#### 3.1. Jockey™ (cárter de plástico verde)

1. Desenrollar el cable con cuidado, evitando la formación de bucles.
2. Desembragar el mecanismo del aparato (ver capítulo "Desembrague y Embrague").
3. Introducir el cable por la entrada E hasta que salga por S (fig. 7.2).
4. Colocar en el gancho del aparato las dos laza-

das de la eslinga situada alrededor del punto fijo. (ver capítulo "Anclaje").

5. Tensar manualmente la longitud útil del cable.
6. Embragar el mecanismo por medio del mando de desembrague (ver capítulo "Desembrague y Embrague").
7. Colocar después la palanca de maniobra en la palanca de marcha adelante y, con un movimiento de vaivén, iniciar la tracción o la elevación. Haciendo lo mismo con la palanca de marcha atrás se puede anular la tensión o descender la carga.

Realizadas estas operaciones el aparato está listo para funcionar, siempre que la carga esté correctamente amarrada al aparato o al cable (ver capítulos "Anclaje" y Esquemas de montaje). Si el cable se amarra a un punto elevado, el anclaje debe hacerse antes que las otras operaciones.

#### 3.2. Jockey™ J5 (cárter de aluminio)

1. Desenrollar el cable con cuidado, evitando la formación de bucles.
2. Desembragar el mecanismo del aparato (ver capítulo "Desembrague y Embrague").
3. Introducir el cable por la entrada E hasta que salga por S (fig. 8.2).
4. Colocar en el gancho del aparato las dos lazadas de la eslinga situada alrededor del punto fijo. (ver capítulo "Anclaje").
5. Tensar manualmente la longitud útil del cable.
6. Embragar el mecanismo por medio del mando de desembrague (ver capítulo "Desembrague y Embrague").
7. Colocar después la palanca de maniobra en la palanca de marcha adelante y, con un movimiento de vaivén, iniciar la tracción o la elevación. Haciendo lo mismo con la palanca de marcha atrás se puede anular la tensión o descender la carga.

Realizadas estas operaciones el aparato está listo para funcionar, siempre que la carga esté correctamente amarrada al aparato o al cable (ver capítulos "Anclaje" y Esquemas de montaje). Si el cable se amarra a un punto elevado, el anclaje debe hacerse antes que las otras operaciones.

### 4. DESEMBRAGUE Y EMBRAGUE

Cada aparato está provisto de un mando que permite desembragar el mecanismo de arrastre mediante una maniobra que sólo debe realizarse sin carga.

La empuñadura de desembrague tiene pues dos posiciones posibles : desembragado o embragado.

N.B. Cuando no se utiliza el aparato se recomienda colocar la empuñadura de desembrague en posición de embrague. Esto obliga a desembragar el aparato antes de poder introducir el cable.

#### 4.1. Jockey™

**Desembrague :** Liberar el mando de desembrague, empujándolo ligeramente hacia el cárter y hacia arriba y después tirando de él hacia afuera (fig. 7.1).

**Embrague :** Empujar a fondo el mando con un ligero movimiento hacia abajo (fig. 7.2).

#### 4.2. Jockey™ J5


**Desembrague :** Liberar el mando de desembrague empujándolo hacia el aparato, luego posicionar los dos botones laterales para tirar de él hacia afuera (fig. 8.1).

**Embrague :** Empujar el mando de desembrague hasta su enclavamiento. El Jockey™ J5 está listo para funcionar (fig. 8.2).

### 5. ANCLAJE

**Un anclaje defectuoso puede generar un riesgo de accidente grave. El usuario debe verificar siempre, antes del trabajo, que el punto o puntos de anclaje del aparato o del cable tengan una resistencia suficiente para el esfuerzo previsto (elevación o tracción).**

Se recomienda anclar los aparatos JOCKEY™ amarrándolos a un punto fijo o a la carga por medio de una eslinga de capacidad apropiada. **No se debe utilizar el cable del aparato como eslinga** haciéndolo pasar alrededor de un material volviéndolo a enlazar con su gancho ( Fig.9-1 : Incorrecto - Fig.9-2 : Correcto).

 **Advertencia :** Es indispensable, para la seguridad de funcionamiento del aparato, procurar, antes de la puesta en carga, que los elementos de anclaje, gancho o bulón de amarre, estén cerrados de forma correcta (cierre de seguridad en el caso del gancho. Fig.12).

### 6. MANEJO

El manejo del JOCKEY™ es muy sencillo y se realiza accionando la palanca telescópica con un movimiento de vaivén cuya amplitud varía según las posibilidades del operario.

Si se interrumpe el accionamiento actúa el auto-cierre de las mordazas sobre el cable, quedando la carga repartida de manera igual entre ambas, que permanecen así en agarre continuo.

Los movimientos de las palancas de marcha adelante y de marcha atrás tienen un doble efecto y la carga se desplaza por cada recorrido de las palancas en uno u otro sentido a cada movimiento de la palanca telescópica.

### 7. FINALIZACION DE TRABAJO Y ALMACENAMIENTO

#### 7.1. Jockey™

Una vez terminado el trabajo, para liberar el Jockey™ y sacar el cable, accionar la palanca de marcha atrás hasta que el cable quede sin tensión.

Desenganchar la eslinga. Desembragar el aparato procediendo de la siguiente forma :

- Liberar el mando de desembrague empujándolo hacia el aparato con un ligero movimiento hacia arriba (Fig. 7.1)
- Sacar el cable con una mano sujetando con la otra el Jockey™ por el mando de desembrague (Fig.10).

Enrollar el cable con cuidado, evitando la formación de bucles.

#### 7.2. Jockey™ J5

Una vez terminado el trabajo, para liberar el Jockey™ J5 y sacar el cable, accionar la palanca de marcha atrás hasta que el cable quede sin tensión.

Desenganchar la eslinga. Desembragar el aparato procediendo de la siguiente forma :

- Empujar a fondo el mando de desembrague hacia el cárter.
- Manteniendo así el mando, presionar los dos botones laterales.
- Soltar el mando que debe retroceder por sí mismo (tirar de él si es necesario) (fig. 8.1)
- Sacar el cable con una mano sujetando con la otra el J5 por el mando de desembrague (fig.11).
- Enrollar el cable con cuidado, evitando la formación de bucles.

### 8. DISPOSITIVOS DE SEGURIDAD

#### 8.1. Jockey™


Utilizar únicamente la palanca de maniobra servida con el aparato. Su longitud está calculada en función de las características del aparato. En caso de sobrecarga se rompe.

#### 8.2. Jockey™ J5

El Jockey™ J5 está provisto de un pasador de seguridad que se cizalla cuando hay excesiva carga.

Sustitución del pasador :

- Aflojar los 5 tornillos de fijación del cárter.
- Abrir el cárter, sacar el mecanismo, quitar el pasador cizallado con la ayuda de un botador de 5 mm. de diámetro. Tomar uno de los dos pasadores de recambio situados en un extremo del cárter y colocar este nuevo con un martillo.
- Volver a montar el aparato.

 **ADVERTENCIA** : No se pueden sustituir pasadores cizallados por otras piezas que no sean los pasadores TRACTEL® del mismo modelo.

## 9. CABLE

**Para tener garantía de la seguridad de funcionamiento de los aparatos JOCKEY™, es esencial utilizar exclusivamente cable TIRFOR® fabricado especialmente para estos aparatos.**

Los cables TIRFOR® tienen uno de los cordones de color rojo, visible cuando está nuevo.

En uno de sus extremos el cable lleva un gancho de seguridad montado dentro de una lazada equipada con un guardacabos y cerrada por medio de un manguito de aleación prensado, (ver Fig.12). El otro extremo del cable termina en una punta soldada por fusión y amolada (ver Fig.13).


**El buen estado del cable es una garantía de seguridad en la misma medida que el buen estado del aparato.** Es pues necesario cuidar siempre el estado del cable y limpiarlo y engrasarlo con un trapo empapado de aceite o grasa.

Evitar grasas o aceites que contengan bisulfuro de molibdeno o aditivos grafitados.

### Control visual del cable

El cable debe ser revisado a diario cuando se utiliza para poder detectar posibles indicios de deterioro (deformación, rotura de hilos : ejemplos en Fig.14).

Si se observa un evidente deterioro, hacer revisar el cable por una persona competente. Los cables que por desgaste hayan disminuido su diámetro en un 10% deben eliminarse ( medirlo como se indica en la Fig.15).

 **IMPORTANTE** : Se recomienda, especialmente en caso de elevación, estar seguros de que la longitud del cable es mayor que el recorrido a efectuar. Prever aproximadamente un metro suplementario como mínimo que debe sobrepasar el cárter del aparato por el lado del amarre.

En la elevación y descenso de cargas con cables de mucha longitud hay que evitar el giro de las mismas para que el cable no se destreñe. No dejar nunca que un cable en tensión roce un

obstáculo y utilizar sólo poleas de diámetro adecuado.

No dejar el cable expuesto a una temperatura superior a los 100° ni a los efectos de agentes mecánicos o químicos.

Almacenamiento : ver capítulo 7.

## 10. MANTENIMIENTO DEL APARATO

El mantenimiento del aparato supone limpiarlo, engrasarlo y hacerlo revisar periódicamente (al menos una vez al año) por un taller de reparación autorizado TRACTEL® IBÉRICA.

No utilizar aceites o grasas que contengan bisulfuro de molibdeno o aditivos grafitados. Para limpiar el aparato sumergirlo totalmente en un baño de disolvente, como petróleo, gasolina, alcohol puro, pero no en cambio de acetona y derivados, tricloroetileno y derivados; después sacudirlo para hacer caer el barro y otros cuerpos extraños. Dar la vuelta al aparato para hacer caer la suciedad a través de las aberturas de las palancas . Escurrir y dejar secar.

Después es **indispensable engrasar abundantemente** el mecanismo vertiendo aceite (tipo SAE90, 120) en las aberturas del cárter.

Antes, y sin carga, desembragar el aparato y accionar las palancas para facilitar la penetración del aceite en todas las partes del mecanismo.

N.B. : No hay que preocuparse por un exceso de engrase del aparato.

Todo aparato cuyo cárter ofrezca señales de golpes o tenga deformaciones o cuyo gancho esté deformado, debe ser enviado a un taller de reparación autorizado TRACTEL® IBÉRICA.

## 11. CONTRAINDICACIONES

Utilizar los aparatos JOCKEY™ de acuerdo con las indicaciones de este manual da una total garantía de seguridad. De todas maneras puede ser útil advertir al operario sobre las malas utilizaciones indicadas a continuación :

### No está permitido :

- utilizar para la elevación de personas los aparatos descritos en este manual.
- motorizarlos.
- utilizar los aparatos JOCKEY™ con cargas superiores a su capacidad nominal.
- utilizarlos para otros trabajos que no sean aquellos para los que están previstos.
- intentar accionar la empuñadura de desembrague con el aparato en carga.
- obstruir el normal desplazamiento de la palanca de marcha atrás, de la palanca de marcha ade-

lante o de la empuñadura de desembrague.

- accionar al mismo tiempo la palanca de marcha adelante y la de marcha atrás.
- utilizar cualquier otro medio de accionamiento que no sea la palanca telescópica de origen.
- sustituir los pasadores de seguridad de origen por otras piezas que no sean los pasadores TIR-FOR® de cada modelo.
- fijar el aparato por otros medios que no sean su elemento de amarre.
- bloquear el aparato en una posición fija o impedir su autoalineación en la dirección de la carga.
- utilizar el cable del aparato para hacer eslinga.
- aplicar una carga sobre el extremo del cable que sale por el lado del anclaje.
- dar golpes contra los elementos de mando.
- accionar la palanca de marcha adelante hasta tal punto que el manguito del gancho del cable llegue a tocar al cárter.
- accionar la palanca de marcha atrás hasta tal punto que el extremo del cable llegue demasiado cerca del cárter.

## 12. ANOMALIAS DE FUNCIONAMIENTO

**1) Si la palanca de marcha adelante gira libremente** sobre su eje sin accionar el mecanismo, significa que los pasadores de seguridad se han

cizallado por sobrecarga. Hay que sustituirlos tal y como se indica en el párrafo 8.2 (Modelo J5).

### 2) Pompeo :

La falta de engrase del mecanismo conlleva (sin peligro) un fenómeno que llamamos "pompeo" que se produce en marcha adelante. El cable o el aparato (depende del sistema de montaje) sube o baja unos centímetros sin avanzar. Vertiendo aceite en el cárter cesa este fenómeno. Si es necesario, accionar un poco en marcha atrás para facilitar el engrase de las piezas.

### 3) Sacudidas :

En marcha atrás puede ocurrir un fenómeno de sacudida producido también por una falta de engrase. Proceder de la misma forma que en el punto anterior.

### 4) Bloqueo :

Si el cable queda bloqueado dentro del aparato, generalmente por un deterioro de aquel tramo que está en el interior, hay que interrumpir el trabajo enseguida. Atar la carga a otro mecanismo que reúna las **condiciones reglamentarias** de seguridad y aflojar el aparato desembragándolo sin carga. En último extremo cuando ésto no sea posible, enviar aparato y cable a un taller de reparación autorizado TRACTEL® IBÉRICA.

ES

## 13. VERIFICACIONES REGLEMENTARIAS

Toda empresa que confía un aparato JOCKEY™ o JOCKEY™ J5 a un personal asalariado o similar debe aplicar la reglamentación laboral de seguridad vigente.

**Verifique que las etiquetas estén colocadas en el lugar que les corresponde.  
Se suministrarán etiquetas de repuesto bajo demanda.**

## SOMMARIO

	Pagina
Raccomandazioni importanti	3
Specifiche	4
1. Presentazione e descrizione	4
2. Schemi di montaggio	4
3. Messa in opera	5
4. Disinnesto / innesto	5
5. Ancoraggio	6
6. Manovra	6
7. Messa fuori servizio ed stoccaggio	6
8. Dispositivi di sicurezza	6
9. Funi	7
10. Manutenzione dell'apparecchio	7
11. Controindicazioni d'impiego	7
12. Anomalie di funzionamento	8
13. Verifiche regolamentari	8

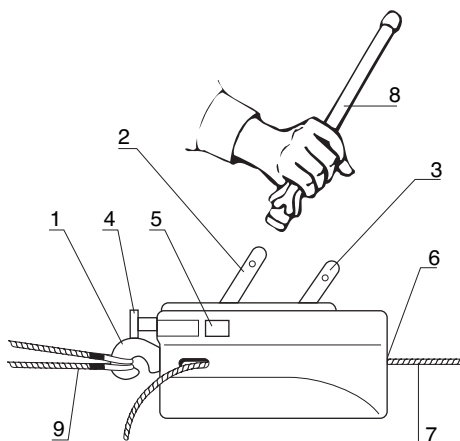
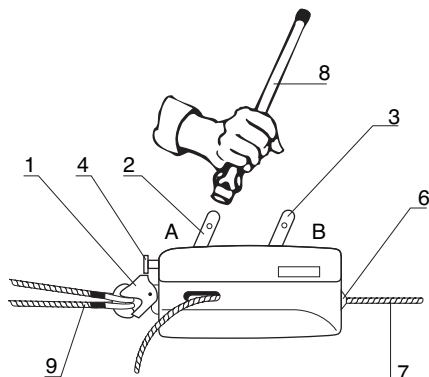
## ILLUSTRAZIONI

A, B

Al fine di garantire il costante miglioramento dei propri prodotti la Tractel® Italiana, si riserva di eseguire ogni modifica che riterrà utile, al materiale de scritto in questo libretto.

Le società del Gruppo TRACTEL®, come pure i propri rivenditori autorizzati, Vi forniranno su semplice richiesta la documentazione riguardante la gamma degli altri prodotti TRACTEL®: apparecchi per sollevamento e trazione, materiale di accesso per cantieri e facciate, dispositivi di sicurezza, indicatori elettronici di carico, accessori del sollevamento come carrucole, ganci, imbracature, ancoraggi...

**La rete TRACTEL® è in grado di assicurare un servizio post-vendita e di manutenzione periodica. Per qualsiasi quesito o necessità tecnica non esitate a rivolgervi alla TRACTEL® ITALIANA.**



1. Gancio/perno di ancoraggio
2. Leva di marcia avanti
3. Leva di marcia indietro
4. Maniglia di disinnesto
5. Pulsanti laterali
6. Introduzione della fune
7. Fune di trazione
8. Barra di manovra
9. Imbracatura di aggancio



## RACCOMANDAZIONI IMPORTANTI

1. Prima di installare e utilizzare questo apparecchio, è indispensabile, per la sicurezza d'uso e per la sua efficienza, di prendere conoscenza del presente manuale e di conformarsi alle prescrizioni in esso incluse. Un esemplare di questo manuale deve essere conservato a disposizione di ogni operatore. Degli esemplari supplementari possono essere forniti a richiesta.
  2. Non utilizzare questo apparecchio se una delle targhette fissate sull'apparecchio, o se una delle loro iscrizioni, come indicato in fine del presente manuale, è assente o illeggibile. Delle targhette identiche possono essere fornite a richiesta e dovranno essere fissate prima di continuare l'utilizzo dell'apparecchio.
  3. Assicuratevi che ogni persona a chi affidate l'utilizzo di questo apparecchio ne conosce l'uso ed è atto ad assumere le esigenze di sicurezza che tale uso implica per il relativo impiego. Il presente manuale deve essere messo a disposizione.
  4. La messa in opera di questo apparecchio deve essere conforme alla regolamentazione e alle norme di sicurezza applicabili relative all'installazione, l'utilizzo, la manutenzione e il controllo degli apparecchi di sollevamento di materiale.
  5. Per ogni utilizzo professionale, questo apparecchio deve essere piazzato sotto la responsabilità di una persona che conosce la regolamentazione applicabile e avendo autorità per assicurarne l'applicazione se lei stessa non è l'operatore.
  6. Ogni persona che utilizza questo apparecchio per la prima volta deve verificare, fuori rischio, prima di applicargli un carico, e su una piccola altezza di sollevamento, che ne ha capito bene tutte le condizioni di sicurezza e d'efficienza del suo uso.
  7. La messa in posto e la messa in funzionamento di questo apparecchio devono essere eseguite in condizioni che assicurino la sicurezza dell'installatore conformemente alla regolamentazione applicabile alla sua categoria.
  8. Prima di ogni utilizzo dell'apparecchio, verificarne il buon stato apparente anziché quello degli accessori utilizzati con l'apparecchio.
  9. Tractel® esclude la sua responsabilità per il funzionamento di questo apparecchio in una configurazione di montaggio non descritta nel presente manuale.
  10. L'apparecchio deve essere sospeso verticalmente ad un punto d'ancoraggio e ad una struttura sufficientemente resistenti per sopportare il carico massimo d'utilizzo indicato nel presente manuale. In caso d'utilizzo di più apparecchi, la resistenza della struttura deve essere funzione del numero di apparecchi, a seconda del loro carico d'utilizzo massimo.
  11. Ogni modifica dell'apparecchio fuori dal controllo di Tractel®, o soppressione di pezzi che ne fanno parte, esonera Tractel® della sua responsabilità.
  12. Tractel® garantisce il funzionamento dell'apparecchio soltanto se esso è munito di un cavo Tractel® originale, a seconda delle specifiche indicate nel presente manuale.
  13. Ogni operazione di smontaggio di questo apparecchio non descritta nel presente manuale, o ogni riparazione eseguita fuori dal controllo di Tractel® esonera Tractel® della sua responsabilità, specialmente in caso di sostituzioni di pezzi originali con ricambi di altra provenienza.
  14. Ogni intervento sul cavo per modificarlo o ripararlo fuori dal controllo di Tractel® esclude la responsabilità di Tractel® per i seguiti di questo intervento.
  15. Questo apparecchio non deve mai essere utilizzato per operazioni altre che quelle descritte nel presente manuale. Non deve mai essere utilizzato per un carico superiore al carico massimo d'utilizzo indicato sull'apparecchio. Non deve mai essere utilizzato in atmosfera esplosiva.
  16. È vietato utilizzare questo apparecchio per il sollevamento o lo spostamento di persone.
  17. Questo apparecchio manuale non deve mai essere motorizzato.
  18. Se un carico deve essere sollevato da più apparecchi, la loro installazione deve essere preceduta da uno studio tecnico realizzato da un tecnico competente, poi condotta conformemente a questo studio, particolarmente per assicurare la ripartizione costante del carico in condizioni corrette. Tractel® esclude ogni responsabilità nel caso d'utilizzo dell'apparecchio in combinazione con altri apparecchi di sollevamento di altre origine.
  19. Non circolare o fermarsi mai sotto il carico. Segnalare e vietare l'accesso alla zona situata sotto il carico.
  20. Il controllo permanente del buon stato apparente dell'apparecchio e della sua buona manutenzione fanno parte delle misure necessarie sicurezza alla sua sicurezza d'uso. L'apparecchio deve essere verificato periodicamente da un riparatore autorizzato da Tractel® come indicato nel presente manuale.
  21. Il buon stato del cavo è una condizione essenziale di sicurezza e di buon funzionamento dell'apparecchio. Un controllo del cavo deve essere eseguito ad ogni utilizzo come indicato al capitolo « cavo ». Ogni cavo che presenta dei segni di danneggiamento deve essere definitivamente messo al rifiuto.
  22. Quando l'apparecchio non è utilizzato, esso deve essere posto fuori dalla portata delle persone non autorizzate ad utilizzarlo.
  23. L'utilizzatore deve assicurarsi durante l'uso che il cavo sia costantemente teso dal carico, e particolarmente che questo non sia neutralizzato temporaneamente da un ostacolo in discesa, situazione che può indurre un rischio di rottura del cavo quando il carico si libera dal suo ostacolo.
  24. In caso di arresto definitivo di utilizzazione, mettere l'apparecchio al rifiuto in condizioni che ne impediscano il suo utilizzo. Rispettare la regolamentazione relativa alla protezione dell'ambiente.
- IMPORTANTE:** Per ogni utilizzo professionale, specialmente se dovete affidare questo apparecchio ad un personale salariato o simile, conformatevi alla regolamentazione del lavoro applicabile al montaggio, alla manutenzione e all'utilizzo di questo apparecchio, particolarmente per quanto riguarda le verifiche richieste : verifica alla prima messa in servizio dall'utilizzatore, verifiche periodiche anziché dopo smontaggio o riparazione.

## SPECIFICHE

MODELLO		Jockey	Jockey J5
Carico massimo d'impiego	kg	300	500
Pesi			
apparecchio	kg	1,75	3,75
leva di manovra	kg	0,27	0,35
cavo standard 10m./20 m.	kg	1,0 / -	1,9 / 3,7
Peso totale dotazione standard	kg	3,0 / -	6,0 / 7,8
Dimensioni dell'apparecchio			
lunghezza	mm	320	370
altezza	mm	200	215
spessore	mm	40	55
leva di manovra	mm	400	500
Fune originale TIRFOR			
diametro	mm	4,72	6,5
carico di rottura garantito *	daN	1800	3100
peso al metro lineare	kg	0,09	0,185
Avanzamento della fune (M. av./M. ind..)**	mm	28 / 32	24 / 34

\* Compreso il gancio in estremità della fune.

\*\* Avanzamento della fune con carico massimo d'utilizzo, per una corsa completa di andata e ritorno della leva di manovra.

### 1. PRESENTAZIONE E DESCRIZIONE

JOCKEY™ è un apparecchio portatile per trazione e sollevamento, a cavo passante, che svolge tutte le funzioni di un argano o di un paranco manuale nelle più svariate condizioni di utilizzo e con prestazioni esclusive.

La propria originalità risiede nel principio di trazione della fune, in effetti quest'ultima non si avvolge su un tamburo, come avviene negli argani o nei paranchi tradizionali, ma è tirata in modo rettilineo da due pinze che operano come due mani per tirarlo o per accompagnarlo nella discesa.

Il meccanismo è autobloccante.

La forza esercitata dall'operatore è trasmessa alle leve di manovra (leva di marcia avanti o leva di marcia indietro) da una leva telescopica amovibile. L'apparecchio è provvisto di un organo di ancoraggio, gancio o perno secondo i modelli, che permette il fissaggio rapido a qualsiasi punto fisso di resistenza sufficiente.

I dispositivi JOCKEY™ e JOCKEY™ J5 destinati alla trazione e al sollevamento di materiale vengono prodotti in 2 versioni :

- Jockey™ portata 300 kg
- Jockey™ J5 portata 500 kg.

**Modello Jockey™** : una fornitura standard è composta da : un apparecchio con la sua leva di manovra, un cavo speciale di lunghezza 10 m. munito di un gancio con linguetta di sicurezza, due imbracature di aggancio, una da 1 m. e una da 2

m., il tutto sistemato in una valigetta da trasporto riutilizzabile. (Su richiesta sono disponibili cavi ed imbracature di qualunque altra misura).

**Modello Jockey™ J5** : Jockey™ J5 viene proposto in due versioni standard composte da un apparecchio con la sua leva di manovra e da :

- o un cavo speciale di lunghezza 10 m. munito di un gancio con linguetta di sicurezza, due imbracature di aggancio da 2 m. ;

- oppure un cavo speciale di lunghezza 10 m. munito di un gancio con linguetta di sicurezza, due imbracature di aggancio da 2 m., più una carrucola che permette di raddoppiare la capacità di carico dell'apparecchio.

Il presente libretto e un certificato di garanzia sono allegati ad ogni apparecchio unitamente alla dichiarazione di conformità CE.

**⚠ IMPORTANTE : Le funi JOCKEY™ sono specialmente concepite per essere utilizzate negli apparecchi TIRFOR® in funzione della loro concezione particolare. La TRACTEL® ITALIANA non può garantire la sicurezza di funzionamento di questi apparecchi nel caso di mancata utilizzazione delle funi originali TIRFOR®.**


### 2. SCHEMI DI MONTAGGIO

Le configurazioni di montaggio possibili sono indicate dalle figure 2.1, 2.2, 2.3 e 2.4. Le figure 4

e 5 mostrano dei casi particolari (montaggio vietato e montaggio permesso).

Il TIRFOR® può essere ancorato ad un punto fisso, la fune si sposta attraverso l'apparecchio (Fig. : 2.1, 2.2, 2.3), oppure si sposta lungo la fune assieme al carico, con la fune ancorata ad un punto fisso (Fig. 2.4). Nel caso 2.2, la portata della carrucola deve essere superiore al doppio del carico.

N.B. : Per tutti gli schemi di montaggio in cui l'apparecchio è ancorato direttamente ad un punto fisso, esso deve potere allinearsi liberamente nella direzione del carico o della forza resistente. A questo scopo, si consiglia di interporre una imbracatura di portata adeguata fra il punto di ancoraggio e l'apparecchio (Fig. 3).

 **AVVERTENZA** : Tutti i montaggi che necessitano il calcolo delle forze debbono essere controllati da un tecnico competente con particolare attenzione ai punti di ancoraggio.

Nel caso di lavori quali l'abbattimento di alberi con caduta non guidata, l'operatore deve mettersi fuori dalla zona di pericolo facendo passare la fune in una o più carrucole di rinvio.

La portata del TIRFOR® può essere considerevolmente aumentata mantenendo invariato lo sforzo dell'operatore con l'impiego di carrucole di rinvio (vedere gli esempi di schemi Fig. 6.1 e 6.2 ). Per la valutazione dell'aumento della portata, bisogna tenere conto del rendimento delle carrucole. Il diametro delle pulegge deve essere almeno uguale a 18 volte il diametro della fune. (vedere le norme di riferimento).

**Per montaggi diversi da quelli descritti sul presente manuale interpellare la TRACTEL® ITALIANA.**

### 3. MESSA IN SERVIZIO

N.B. Si raccomanda di proteggere le mani con guanti da lavoro quando si maneggiano il cavo e le imbracature.

#### 3.1. Jockey™ (carter in plastica verde).

1. Srotolare il cavo evitando di torcerlo e di formare degli anelli.
2. Disinnestare il meccanismo dell'apparecchio (vedi capitolo "Disinnesto/Innesto").
3. Introdurre l'estremità libera del cavo nell'entrata E finché non esce dall'uscita del cavo S (fig. 7.2).
4. Inserire nel gancio dell'apparecchio i due anelli dell'imbracatura situata attorno al punto fisso (vedi capitolo "Aggancio").

5. Regolare a mano la lunghezza utile del cavo.

6. Innestare il meccanismo manovrando il pulsante di disinnesto (vedi capitolo "Disinnesto/Innesto").

7. Introdurre in seguito la barra di manovra sulla leva di marcia avanti e con un movimento di avanti/indietro iniziare la trazione o il sollevamento. La leva di retromarcia vi permette di rilasciare la tensione o di abbassare il carico.

Terminate queste operazioni l'apparecchio è pronto ad operare, ovviamente tenendo conto dei capitoli "ancoraggi" e "schemi di montaggio".

Se il cavo è agganciato a un punto posto in alto, occorrerà procedere all'aggancio prima delle altre operazioni.

#### 3.2. Jockey™ J5 (carter in alluminio)

1. Srotolare con cura il cavo evitando il formarsi di anelli.

2. Disinnestare il meccanismo dell'apparecchio (vedi capitolo "Disinnesto/Innesto").

3. Introdurre l'estremità libera del cavo nell'entrata E finché non esce dall'uscita del cavo S (fig. 8.2).

4. Inserire nel gancio dell'apparecchio i due anelli dell'imbracatura situata attorno al punto fisso (vedi capitolo "Aggancio").

5. Regolare a mano la lunghezza utile del cavo.

6. Innestare il meccanismo manovrando il pulsante di disinnesto (vedi capitolo "Disinnesto/Innesto").

7. Introdurre in seguito la barra di manovra sulla leva di marcia avanti e con un movimento di avanti/indietro iniziare la trazione o il sollevamento. La leva di retromarcia vi permette di rilasciare la tensione o di abbassare il carico.

Terminate queste operazioni l'apparecchio è pronto ad operare, ovviamente tenendo conto dei capitoli "ancoraggi" e "schemi di montaggio".

Se il cavo è agganciato a un punto posto in alto, occorrerà procedere all'aggancio prima delle altre operazioni.

### 4. DISINNESTO E INNESTO

Ogni apparecchio è munito di un pulsante (4) che permette di disinnestare il meccanismo di serraggio con una manovra che deve essere effettuata soltanto senza carico.

Per la manetta di disinnesto sono previste due posizioni : disinnestata o innestata.

N.B. : Si raccomanda di mantenere la manetta di disinnesto in posizione innestata quando l'apparecchio non viene utilizzato. In questo modo è obbligatorio disinnestare l'apparecchio prima di introdurvi il cavo.

## 4.1 Jockey™

**Disinnesto** : Liberare la manetta di disinnesto, spingendola leggermente verso l'alto, contro il carter, poi tirandola verso l'esterno (fig. 7.1).

**Innesto** : Spingere a fondo la manetta con un leggero movimento verso il basso (fig. 7.2).

## 4.2. Jockey™ J5


**Disinnesto** : Liberare la manetta di disinnesto spingendola contro l'apparecchio, poi premere sui due pulsanti laterali per tirarla verso l'esterno (fig. 8.1).

**Innesto** : Spingere la manetta di disinnesto fino al suo innesto. Il Jockey™ J5 è così pronto per funzionare (fig. 8.2).

## 5. AGGANCIO

**Un difetto di aggancio può comportare gravi rischi di incidenti. L'utilizzatore deve sempre verificare, prima di operare, che il o i punti di aggancio dell'apparecchio o del cavo presentino una sufficiente resistenza alla forza da esercitare (sollevamento o trazione).**

Si raccomanda di agganciare gli apparecchi JOCKEY™ collegandoli al punto fisso o al carico per mezzo di una imbracatura di portata adeguata. **E' vietato utilizzare il cavo dell'apparecchio come imbracatura** passandolo attorno ad un oggetto per riprenderlo attraverso il suo gancio (Fig. 9-1 : caso vietato; 9-2 : uso normale).

 **Avvertenza** : Per la sicurezza d'impiego dell'apparecchio è indispensabile accertarsi che i dispositivi di aggancio, siano correttamente bloccati (linguetta del gancio chiusa (Fig. 12).

## 6. LA MANOVRA DEL TIRFOR®

La manovra del JOCKEY™ è estremamente semplice e si effettua spostando avanti o indietro la barra, con un movimento di ampiezza variabile a seconda delle esigenze dell'operatore.

L'interruzione della manovra provoca l'autoserraggio automatico delle due pinze sulla fune. Ogni leva, quella di marcia avanti o quella di marcia indietro, è a doppio effetto cioè, il carico si sposta ad ogni corsa di leva.

## 7. MESSA FUORI SERVIZIO E STOCCAGGIO

### 7.1. Jockey™

Una volta terminata la manovra per liberare Jockey™ ed estrarre il cavo, azionare se necessario

la leva di retromarcia per eliminare tensioni nel cavo.

Sganciare l'imbracatura. Disinnestare l'apparecchio procedendo nel modo seguente :

- liberare la manetta di disinnesto spingendola contro l'apparecchio con un leggero movimento verso l'alto (fig. 7.1).

- ritirare il cavo con una mano, tenendo nell'altra mano Jockey™ per mezzo della manetta di disinnesto (fig.10)

- arrotolare con cura il cavo evitando il formarsi di anelli.

### 7.2. Jockey™ J5

Una volta terminata la manovra per liberare Jockey™ ed estrarre il cavo, azionare se necessario la leva di retromarcia per eliminare tensioni nel cavo.

Sganciare l'imbracatura. Disinnestare l'apparecchio procedendo nel modo seguente :

- spingere a fondo la manetta di disinnesto contro il carter.

- mantenendo premuta la manetta, premere sui due pulsanti laterali.

- rilasciare la manetta che dovrebbe riposizionarsi da sola (tirare se necessario). (fig. 8.1).

- ritirare il cavo con una mano, tenendo nell'altra mano il J5 per mezzo della manetta di disinnesto (fig. 11).

- arrotolare con cura il cavo evitando il formarsi di anelli.

## 8. DISPOSITIVI DI SICUREZZA

### 8.1. Jockey™

Utilizzare esclusivamente la barra di manovra che vi è stata fornita. La sua lunghezza è stata fissata in funzione delle prestazioni dell'apparecchio. Si rompe in caso di sovraccarico.

### 8.2. Jockey™ J5


Jockey™ J5 possiede una sicurezza da sovraccarico per rottura di coppiglia.

Sostituzione della coppiglia :

- svitare le 5 viti di fissaggio del carter.

- rimuovere il carter, poi il meccanismo, estrarre la coppiglia spezzata con un cacciacoppiglie da Ø 5 mm. Prendere una delle due coppiglie di ricambio situate nell'angolo del carter, posizionare la coppiglia nuova col martello.

- rimontare l'apparecchio.

 **AVVERTIMENTO** : E' vietato sostituire le coppiglie tranciate con altri mezzi che non siano delle coppiglie TRACTEL® dello stesso modello.

## 9. FUNI

**E' indispensabile, per garantire la sicurezza d'impiego degli apparecchi JOCKEY™, utilizzarli esclusivamente con cavi TIRFOR®®, previsti appositamente per questi apparecchi.**

Le funi TIRFOR® sono riconoscibili dal trefolo rosso, ben visibile sulla fune nuova.

Una estremità della fune porta un gancio di sicurezza montato su redancia ed è stretta in un manico metallico (Fig. 12). L'altra estremità è saldata e molata (Fig. 13).

**Il buono stato della fune è una garanzia di sicurezza allo stesso titolo del buono stato dell'apparecchio.**

E' dunque necessario controllare costantemente le condizioni della fune, pulirla e lubrificarla con uno straccio imbevuto d'olio o di grasso. Evitare i grassi e gli olii che contengono del bisolfuro di molibdeno o degli additivi grafitati.

### **Esame visivo della fune.**

La fune deve essere esaminata quotidianamente quando viene utilizzata al fine di scoprire i segni di un eventuale deterioramento (deformazioni, rottura di fili : esempi Fig. 14).

In caso di deterioramento apparente, fare verificare la fune da una persona competente. Una fune di cui l'usura ha ridotto il diametro nominale del 10% deve essere eliminata (misurare come indicato in Fig. 15).

 **IMPORTANTE** : Particolarmente nelle operazioni di sollevamento la lunghezza della fune deve essere superiore alla corsa utile. Prevedere almeno un metro di sovrallunghezza che deve fuoriuscire dal carter dell'apparecchio dalla parte dell'estremità di ancoraggio . Per il sollevamento e la discesa con funi molto lunghe si provvederà a impedire la rotazione del carico al fine di evitare lo svitamento della fune. Non fare mai sfregare il cavo sotto carico contro un ostacolo qualsiasi, ma utilizzare delle pulegge di diametro adeguato.

Non esporre la fune a temperatura superiore ai 100 gradi centigradi nè ad aggressivi chimici o meccanici.

Per l'immagazzinamento vedere capitolo 7.

## 10. MANTENIMENTO DELL'APPARECCHIO

La manutenzione dell' apparecchio consiste

nella pulizia lubrificazione e controllo periodico (almeno una volta all'anno) da un riparatore autorizzato TRACTEL®.

Non usare mai olio o grasso contenente del bisulfuro di molibdeno oppure un additivo grafitato.

Per pulire l'apparecchio, immergerlo completamente in un solvente quale petrolio, benzina, white-spirit, escludendo tassativamente l'acetone e i suoi derivati, il tricloretilene e i suoi derivati, dopodichè scuoterlo energicamente per staccare il fango ed altri eventuali corpi estranei. Rovesciare l'apparecchio per fare uscire la sporcizia dall'apertura delle leve. Sgocciolare e fare asciugare.

A questo punto è **indispensabile lubrificare abbondantemente il meccanismo** versando dell'olio (tipo SAE 90 120) dalle aperture del carter. Con l'apparecchio disinnestato, manovrare le leve per facilitare la diffusione dell'olio in tutte le parti del meccanismo.

N.B. : Un eccesso di lubrificazione non è mai da temere. Qualsiasi apparecchio di cui il carter porta i segni di urti o deformazioni, o il cui in gancio è deformato, deve essere revisionato presso un riparatore autorizzato della rete TRACTEL®.

## 11. CONTROINDICAZIONI D'IMPIEGO

L'utilizzo degli apparecchi JOCKEY™ in conformità alle indicazioni del presente manuale fornisce la più ampia garanzia di sicurezza :

### **E' tassativamente vietato :**

- utilizzare per il sollevamento di persone gli apparecchi descritti in questo libretto.
- motorizzarli.
- utilizzare gli apparecchi JOCKEY™ oltre la loro portata nominale.
- usarli per operazioni diverse da quelle alle quali sono destinati.
- provare ad utilizzare la maniglia di disinnesto quando l'apparecchio è sotto carico.
- ostacolare il libero movimento della leva di marcia indietro, della leva di marcia avanti o della maniglia di disinnesto.
- manovrare contemporaneamente la leva di marcia avanti e la leva di marcia indietro.
- utilizzare qualsiasi altro mezzo di manovra che non sia la leva telescopica originale.
- sostituire le coppiglie di sicurezza con altri mezzi che non siano le coppiglie TIRFOR® dello stesso modello.
- fissare l'apparecchio da un altro punto che non sia il proprio organo di ancoraggio.
- bloccare l'apparecchio in una posizione fissa o

impedire l'autoallineamento con la direzione del carico.

- utilizzare la fune dell'apparecchio come ùezzo di imbracatura.
- applicare un carico al tratto di fune che fuoriesce dall'apparecchio dall'estremità di ancoraggio.
- dare dei colpi sugli organi di comando.
- manovrare in marcia avanti fino a che il manicotto del gancio della fune vada in contatto con il carter.
- manovrare in marcia indietro fino a che l'estremità del cavo venga in prossimità del carter.

## 12. ANOMALIE DI FUNZIONAMENTO

**1) Se la leva di marcia avanti gira liberamente** sul proprio perno senza provocare il movimento del meccanismo, questo significa che le coppie di sicurezza si sono tranciate per effetto di un sovraccarico. Bisogna sostituirle come indicato al capitolo 9.

### **2) Pompaggio :**

Una insufficienza di olio nel meccanismo provoca

un fenomeno (non pericoloso) chiamato "pompaggio" che si verifica in marcia avanti : la fune o l'apparecchio (secondo il tipo di montaggio) monta e scende di qualche centimetro, ma senza spostamento significativo. Il problema si risolve versando olio all'interno del carter dell'apparecchio. Se necessario manovrare in marcia indietro per una minima corsa per facilitare la lubrificazione dei componenti meccanici.

### **3) Strappi :**

Il funzionamento a strappi in marcia indietro è ugualmente causato da mancanza di lubrificazione. Procedere come sopra.

### **4) Bloccaggio :**

Se la fune rimane bloccata, il deterioramento della fune ne è generalmente la causa, bisogna assolutamente interrompere la manovra. Riprendere il carico con un altro mezzo **in condizioni di sicurezza e liberare** l'apparecchio disinnestandolo senza carico. Se questa operazione fosse impossibile, portare l'apparecchio con la fune presso un riparatore autorizzato TRACTEL®.

IT

## 13. VERIFICHE REGOLAMENTARI

Qualunque azienda che affidi un apparecchio JOCKEY™ o JOCKEY™ J5 a personale dipendente o assimilato deve applicare la normativa vigente sulla sicurezza del lavoro.

**Verificare che le etichette siano ben posizionate.  
Su richiesta possono essere fornite etichette in sostituzione.**

## ÍNDICE

	Página
Instruções básicas	3
Características técnicas	4
1. Apresentação e descrição	4
2. Esquemas de montagem	4
3. Colocação em serviço	5
4. Desembraiagem e embraiagem	5
5. Amarração	6
6. Modo de funcionamento	6
7. Fim de trabalho e armazenamento	6
8. Dispositivos de segurança	6
9. Cabo	7
10. Manutenção do equipamento	7
11. Contra indicações de uso	7
12. Avarias de funcionamento	8
13. Revisões regulamentares	8

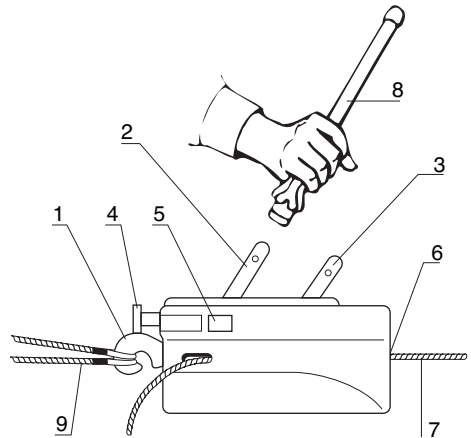
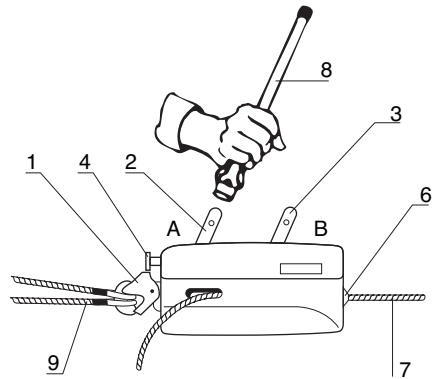
## ILUSTRAÇÕES

A, B

Com vista a melhorar constantemente os seus produtos, o grupo TRACTEL® reserva-se o direito de efectuar qual-quer modificação que julgue útil nos aparelhos descritos neste manual.

LUSOtractel® e seus distribuidores autorizados, facultarão sempre que necessário, toda a documentação técnica relativa a estes ou outros que fazem parte da gama e acessórios, tais como, aparelhos de elevação e tracção, equipamentos de acesso em obra e fachadas, dispositivos de segurança, indicadores electrónicos de carga, roldanas, ganchos, lingas, amarrações, etc.

**A LUSOTRACTEL® e seus revendedores estão aptos a oferecer-lhe um serviço de pós-venda e de manutenção periódica. Perante qualquer dúvida ou necessidade especial, não hesitem consultar a LUSO-TRACTEL®.**



1. Gancho de amarração
2. Alavanca marcha a frente
3. Alavanca marcha atrás
4. Punho de desembraiagem
5. Botões laterais
6. Entrada do cabo
7. Cabo de tracção
8. Cabo de manobra
9. Corda de amarração

PT

## INSTRUÇÕES BÁSICAS

1. Antes de instalar e utilizar este aparelho, é indispensável, para a segurança de uso e a eficácia, tomar conhecimento deste manual e respeitar as recomendações. Um exemplar deste manual deve ser mantido ao dispor de qualquer operador. Podemos fornecer exemplares suplementares a pedido.
2. Não utilizar este aparelho se uma das placas fixadas no aparelho, ou uma das inscrições que lá se encontram, como indicado no fim deste manual, não estiver mais presente ou legível. Podem ser fornecidas placas idênticas a pedido, que devem ser fixadas antes de prosseguir a utilização do aparelho.
3. Certifique-se de que qualquer pessoa a quem confiar a utilização deste aparelho conhece a manipulação e está apta a assumir os requisitos de segurança que essa manipulação exige para o uso em questão. Este manual deve ficar ao dispor dessa pessoa.
4. A aplicação deste aparelho deve obedecer à regulamentação e às normas de segurança aplicáveis relativas à instalação, a utilização, a manutenção e o controlo dos aparelhos de elevação de material.
5. Para todos os usos profissionais, este aparelho deve ficar sob a responsabilidade de uma pessoa conhecedora da regulamentação aplicável, e que tenha autoridade para assegurar a utilização caso não seja o operador.
6. Qualquer que utilize este aparelho pela primeira vez deve verificar, sem risco, antes de aplicar a carga e numa altura de elevação reduzida, se compreendeu todas as condições de segurança e de eficácia da manipulação.
7. A instalação e a colocação em funcionamento deste aparelho devem ser efectuadas em condições que assegurem a segurança do instalador conforme a regulamentação aplicável a esta categoria.
8. Antes de cada utilização do aparelho, verificar se está em bom estado aparente, assim como os acessórios utilizados com o aparelho.
9. A Tractel® exclui a sua responsabilidade para o funcionamento deste aparelho numa configuração de montagem não descrita neste manual.
10. O aparelho deve ser suspenso verticalmente a um ponto de amarração e a uma estrutura de resistência suficiente para suportar a carga máxima de utilização indicada neste manual. Em caso de utilização de vários aparelhos, a resistência da estrutura deve corresponder ao número de aparelhos, conforme a respectiva carga máxima de utilização.
11. Qualquer modificação do aparelho sem o controlo da Tractel®, ou supressão de peças integrantes isenta a Tractel® da sua responsabilidade.
12. A Tractel® só garante o funcionamento do aparelho se este estiver equipado com um cabo Tractel® de origem, conforme as especificações indicadas neste manual.
13. Qualquer operação de desmontagem deste aparelho não descrita neste manual, ou qualquer reparação efectuada fora do controlo da Tractel® isenta a Tractel® da sua responsabilidade, em particular no caso de substituição de peças de origem por peças de outra proveniência.
14. Qualquer intervenção no cabo para o modificar ou reparar sem o controlo da Tractel® isenta a responsabilidade da Tractel® para as consequências dessa intervenção.
15. Este aparelho nunca deve ser utilizado para operações além das descritas neste manual. Nunca deve ser utilizado para uma carga superior à carga máxima de utilização indicada no aparelho. Nunca deve ser utilizado em atmosfera explosiva.
16. É proibido utilizar este aparelho para elevar ou deslocar pessoas.
17. Este aparelho manual não deve ser nunca motorizado.
18. Quando uma carga deve ser levantada por vários aparelhos, a instalação dos mesmos deve ser precedida de um estudo técnico por um técnico competente, e em seguida efectuada segundo esse estudo, designadamente para assegurar a distribuição constante da carga em condições correctas. A Tractel® declina qualquer responsabilidade caso o aparelho Tractel® seja utilizado conjuntamente com outros aparelhos de elevação de outra origem.
19. Nunca estacionar ou circular debaixo da carga. Assinalar e proibir o acesso à zona situada debaixo da carga.
20. O controlo permanente do bom estado aparente do aparelho e a manutenção correcta fazem parte das medidas necessárias para a segurança da utilização. O aparelho deve ser verificado periodicamente por um reparador autorizado Tractel® como indicado neste manual.
21. O bom estado do cabo é uma condição essencial de segurança e de bom funcionamento do aparelho. O controlo do bom estado do cabo deve ser efectuado em cada utilização como indicado no capítulo "cabo". Qualquer cabo que apresentar sinais de deterioração deve ser descartado definitivamente.
22. Quando o aparelho não é utilizado, deve ser colocado fora de alcance de pessoas não autorizadas a o utilizar.
23. O utilizador deve certificar-se, durante a utilização, de que o cabo está constantemente tenso pela carga, e em particular que a carga não está neutralizada temporariamente por um obstáculo em descida, o que pode provocar um risco de ruptura do cabo quando a carga ficar livre do seu obstáculo.
24. No caso de paragem definitiva da utilização, descartar o aparelho em condições que impeçam a sua utilização. Respeitar a regulamentação sobre a protecção do ambiente.

**IMPORTANTE:** Para qualquer uso profissional, em particular se este aparelho deve ser confiado a pessoal assalariado ou equivalente, deve ser respeitada a regulamentação do trabalho relativa à montagem, à manutenção e à utilização deste material, designadamente no que se refere às verificações exigidas: verificação na primeira colocação em serviço pelo utilizador, verificações periódicas e após a desmontagem ou reparação.



## ESPECIFICAÇÕES

MODELS		Jockey	Jockey J5
Carga maxima	kg	300	500
Peso			
do aparelho	kg	1,750	3,750
Cabo de manobra	kg	0,270	0,350
Cabo standard 10m/20m	kg	1,0/-	1,9/3,7
Peso total do aparelho standard	kg	3,0/-	6,0/7,8
Dimensões do aparelho :			
comprimento	mm	320	370
altura	mm	200	215
espessura	mm	40	55
Cabo de manobra	mm	400	500
Cabo original TIRFOR			
diametro	mm	4,72	6,5
carga de ruptura garantida*	daN	1800	3100
peso do metro	kg	0,09	0,185
Avanço do cabo (marcha à frente/atrás)**	mm	28/32	24/34

\* incluídas as pontas do cabo.

\*\* avanço do cabo à carga máxima por percurso completo de ida volta da alavanca.

### 1. APRESENTAÇÃO E DESCRIÇÃO DO APARELHO

O JOCKEY™ é um aparelho portátil de tracção e de içamento, com cabo passante, que assegura todas as funções de um guincho ou de uma talha manual nas mais variadas condições de utilização com vantagens exclusivas.

A sua originalidade, baseia-se no princípio do arrasto do cabo. Em vez de se enrolar num tambor como nos dife-renciais ou cabrestantes clássicos, é arrastado de maneira rectilínea por duas maxilas da mesma forma que duas mãos puxam uma corda. O mecanismo é auto-bloqueante. O esforço transmite-se às alavancas de manobra (marcha a frente ou marcha atrás) por meio de uma alavanca telescópica extraível. O aparelho tem previsto um sistema de amarração: gancho ou cavilhão de amarração segundo o modelo que se pode fixar rapidamente a qualquer ponto que tenha resistência suficiente.

Os aparelhos JOCKEY™ e JOCKEY™ J5 destinados à tracção e ao içamento de material são apresentados segundo dois modelos:

- Jockey™ capacidade 300 kg
- Jockey™ J5 capacidade 500 Kg

**Modelo Jockey™** : uma entrega standard é constituída por um aparelho com cabo de manobra, um cabo especial de 10 m de comprimento, equipado com um gancho com lingueta de segurança e duas cordas de amarração, uma de 1 m e outra de 2 m, sendo o conjunto embalado numa maleta de

transporte reutilizável. (Todos os outros comprimentos de cabo e de corda estão disponíveis por encomenda).

**Modelo Jockey™ J5** : o Jockey™ J5 é proposto segundo duas apresentações standard constituídas por um aparelho com cabo de manobra e:

- ou um cabo especial de 10 m de comprimento equipado com um gancho com lingueta de segurança, duas cordas de amarração de 2 m;
- ou um cabo especial de 10 m de comprimento equipado com um gancho com lingueta de segurança, duas cordas de amarração de 2 m, e uma polia de cadernal que permite duplicar a capacidade de carga do aparelho.

Junto com o aparelho entrega-se este manual, o certificado de garantia e a declaração de conformidade CE.

**⚠ IMPORTANTE : Devido ao seu desenho, os aparelhos JOCKEY™ devem utilizar cabos TIRFOR® de fabrico especial. A TRACTEL®. não garante a segurança de funcionamento com cabos diferentes dos cabos TIRFOR®.**


### 2. ESQUEMAS DE MONTAGEM

As possibilidades de montagem vem indicadas na figura : 2.1, 2.2, 2.3 e 2.4. As figuras 4 e 5 mostram casos especiais (montagem incorrecta, montagem correcta).

PT

O aparelho pode-se amarrar a um ponto fixo e neste caso, o cabo desloca-se através do aparelho (Fig.2. 1, 2.2, 2.3) ou desloca-se o aparelho fixo a carga, estando neste caso o cabo amarrado a um ponto fixo (Fig.2.4). No caso 2.2 a resistência da roldana e a sua fixação deve ser 2 vezes superior a carga.

N.B.: Seja qual for o esquema de montagem e no caso em que o aparelho está ancorado directamente a um ponto fixo é necessário que se possa alinhar sem problemas na direcção da carga ou do esforço. Para tal, aconselha-se a colocação de uma linga de resistência apropriada entre o ponto de amarração e o aparelho.

 **Advertência** : Toda a amarração que requeira um cálculo de forças aplicadas, deve ser controlada de maneira especial por um técnico competente. Em trabalhos, tais como, a orientação da queda de uma árvore, o operário deve colocar-se fora da zona de perigo, fazendo passar o cabo por uma ou varias roldanas de reenvio.

A capacidade do aparelho pode multiplicar-se consideravelmente com o mesmo esforço do operário empregando roldanas de reenvio (ver exemplos de esquemas na Fig. 6.1 e 6.2).

O aumento da capacidade indicada, reduz-se segundo o rendimento das roldanas.

O diâmetro das roldanas utilizadas deve ser igual no mínimo a 18 vezes o diâmetro do cabo (ver norma aplicável, se necessário).

**Se se trata de uma montagem diferente das descritas neste manual, consultar LUSOTRACTEL® ou um especialista competente antes de a executar.**

### 3. COLOCAÇÃO EM SERVIÇO

N.B.: É aconselhável proteger as mãos com luvas de trabalho para manipular o cabo e a cordas.

#### 3.1. Jockey™ (caixa em plástico verde).

1. Desenrolar o cabo evitando torcê-lo ou formar laçadas.
2. Desembraiar o mecanismo do aparelho (ver capítulo «Desembraiar/Embraiar»).
3. Introduzir a extremidade livre do cabo na entrada E até que saia pela saída de cabo S (Fig. 7.2).
4. Encaixar no gancho do aparelho as duas laçadas da corda situada em volta do ponto fixo

(ver capítulo “Amarração”).

5. Regular à mão o comprimento útil do cabo.

6. Embraiar o mecanismo manobrando o botão de desembraiar (ver capítulo “Desembraiar / Embraiar”).

7. Introduzir então o cabo de manobra na alavanca de avanço e com um movimento de vaivém, começar a tracção ou o içamento. A alavanca de recuo permite aliviar a tensão ou descer a carga.

Realizadas estas operações, o aparelho está pronto para funcionar. Sempre que a carga esteja correctamente amarrada ao aparelho ou ao cabo (ver capítulo amarração e esquema de montagem). Se o cabo se fixa a um ponto elevado, a amarração deve fazer-se antes das outras operações.

#### 3.2. Jockey™ J5 (caixa alumínio)

1. Desenrolar cuidadosamente o cabo evitando qualquer laçada.

2. Desembraiar o mecanismo do aparelho (ver capítulo “Desembraiar / Embraiar”).

3. Introduzir a extremidade livre do cabo na entrada E até que saia pela saída de cabo S (Fig. 8.2).

4. Encaixar no gancho do aparelho as duas laçadas da corda situada em volta do ponto fixo (ver capítulo “Amarração”).

5. Regular à mão o comprimento útil do cabo.

6. Embraiar o mecanismo manobrando o botão de desembraiar (ver capítulo “Desembraiar/Embraiar”).

7. Introduzir então o cabo de manobra na alavanca de avanço e com um movimento de vaivém, começar a tracção ou o içamento. A alavanca de recuo permite aliviar a tensão ou descer a carga.

Se o cabo estiver amarrado a um ponto alto, elevado, será amarrado em primeiro antes das outras operações.

Realizadas estas operações, o aparelho está pronto para funcionar. Sempre que a carga esteja correctamente amarrada ao aparelho ou ao cabo (ver capítulo amarração e esquema de montagem).

Se o cabo se fixa a um ponto elevado, a amarração deve fazer-se antes das outras operações.

#### 4. DESEMBRAIAR E EMBRAIAR

Cada aparelho está equipado com um botão (4) que permite desembraiar o mecanismo de aperto por meio de uma manobra que só deve ser efectuada sem carga.

São possíveis duas posições para a pega de desembraiar : desembraiado ou embraiado.

N.B.: É aconselhável colocar a pega de desembraiar na posição embraida quando não se utiliza o aparelho. Isto exige desembraiar o aparelho antes de lá introduzir o cabo.

#### 4.1. Jockey™

**Desembraiar** : Libertar o manípulo de desembraiar, empurrando-o ligeiramente para cima, contra a caixa, e puxando-o em seguida para o exterior (Fig. 7.1).

**Embraiar** : Empurrar a fundo o manípulo com um ligeiro movimento para baixo (Fig. 7.2).

#### 4.2. Jockey™ J5


**Desembraiar** : Libertar o manípulo de desembraiar empurrando-o contra o aparelho, e carregando depois nos dois botões laterais para o puxar para o exterior (Fig. 8.1).

**Embraiar** : Empurrar o manípulo de desembraiar até ao engate. O Jockey™ J5 fica assim pronto a funcionar (Fig. 8.2).

### 5. AMARRAÇÃO

**Um defeito de amarração pode causar um risco de acidente grave. O utilizador deve verificar sempre, antes de operar, se o ou os pontos de amarração do aparelho ou do cabo apresentam uma resistência suficiente à força a exercer (içamento ou tracção).**

Recomenda-se de amarrar os aparelhos JOCKEY™ ligando-os ao ponto fixo ou à carga por meio de uma corda de capacidade conveniente. **É proibido utilizar o cabo do aparelho como corda** passando-o em volta de um objecto para o retomar no gancho (Fig. 9-1: caso proibido; 9-2: uso normal).

 **Aviso** : Para a segurança de uso do aparelho, é indispensável certificar-se, antes de pôr em carga, que os órgãos de amarração, gancho ou cavilha, estão correctamente travados (lingueta fechada para o gancho (Fig. 12).

### 6. MANOBRA

A manobra do JOCKEY™ é extremamente simples e efectua-se manobrando o cabo de manobra segundo um movimento de vaivém cuja amplitude é variável conforme a comodidade do operador.

Se se interrompe o accionamento actua o

autobloqueamento das maxilas sobre o cabo, ficando a carga repar-tida de maneira igual entre ambas, que permanecem assim em bloqueamento contínuo. Os movimentos das alavancas de marcha a frente e marcha atrás tem um duplo efeito e a carga desloca se por cada movimento das alavancas num ou noutro sentido a cada movimento da alavanca telescópica.

### 7. FINALIZAÇÃO DO TRABALHO E ARMAZENAMENTO

#### 7.1. Jockey™

Depois de terminar a manobra, para libertar o Jockey™ e retirar o cabo, accionar se necessário a alavanca de recuo para suprimir qualquer tensão no cabo.

Desengatar a corda. Desembraiar o aparelho procedendo como a seguir indicado :

- Libertar o manípulo de desembraiar empurrando-o contra o aparelho com um ligeiro movimento para cima (Fig. 7.1).
- Retirar o cabo com uma mão segurando o Jockey™ pelo manípulo de desembraiar com a outra mão (Fig. 10).
- Enrolar cuidadosamente o cabo evitando qualquer laçada.

#### 7.2. Jockey™ J5

Depois de terminar a manobra, para libertar o Jockey™ J5 e retirar o cabo, accionar se necessário a alavanca de recuo para suprimir qualquer tensão no cabo.

Desengatar a corda. Desembraiar o aparelho procedendo como a seguir indicado :

- Empurrar a fundo o manípulo de desembraiar contra a caixa.
- Mantendo esse manípulo empurrado, carregar nos dois botões laterais.
- Soltar o manípulo que deve recuar sozinho (puxar se necessário). (Fig. 8.1).
- Retirar o cabo com uma mão segurando o J5 pelo manípulo de desembraiar com a outra mão (Fig. 11).
- Enrolar cuidadosamente o cabo evitando qualquer laçada.

### 8. DISPOSITIVOS DE SEGURANÇA

#### 8.1. Jockey™

Utilizar unicamente o cabo de manobra que foi fornecido. O comprimento foi determinado consoante as performances do aparelho. O cabo de manobra quebra no caso de sobrecarga.

## 8.2. Jockey™ J5

O Jockey™ J5 possui uma segurança de sobrecarga por meio de ruptura de pino.

Substituição do pino :

- Retirar os 5 parafusos da caixa.
- Remover a caixa e depois o mecanismo, empurrar o pino quebrado com um saca-pinos de Ø 5 mm. Tomar um dos dois pinos sobresselentes que se encontram no canto da caixa, instalar o pino novo com um martelo.
- Montar o aparelho.



**Advertência : Nunca substituir os fusíveis por outras peças que não sejam os fusíveis tirfor® do mesmo modelo.**

## 9. CABO



**É essencial, para garantir a segurança dos aparelhos JOCKEY™, utilizá-los exclusivamente com cabos TIRFOR®, especialmente concebidos para estes aparelhos.**

Os cabos tirfor® tem um dos cordões de cor roxa, visível quando novos. Numa das extremidades, o cabo leva um gancho de segurança montado dentro de um olhal equipado com sapatilho e fechado por manga prensada (ver Fig. 12). A outra extremidade do cabo termina numa ponta soldada por fusão e batida (ver Fig. 13).

**O bom estado do cabo e do aparelho são garantia de segurança.** É, pois, necessário cuidar do estado do cabo, tendo para o efeito que o limpar e lubrificar com um trapo embebido em óleo ou massa. Evitar massas ou óleos que contenham bisulfureto de molibdeno ou aditivos grafitados.

### Controle visual do cabo

O cabo deve ser controlado diariamente quando se utiliza para poder detectar possíveis indícios de deterioração (deformação, rotura de fios (ex. Fig. 14). Se se detectar uma evidente deterioração, fazer pessoa competente verificar o cabo. Os cabos que por desgaste tenham diminuído o seu diâmetro em 10% devem ser eliminados (medir como se indica na Fig. 15).



**IMPORTANTE :** Recomenda-se especialmente em caso de elevação, que o comprimento do cabo seja superior ao do percurso a efectuar. Prever, no mínimo, um metro de cabo suplementar que deve ultrapassar o carter do aparelho pelo lado da amarração.

Na elevação e descida de cargas com cabos de grande comprimento, tem que se evitar a rotação das mesmas, para que o cabo não se abra (destrorça).

Nunca deixar que um cabo em tensão roçe num obstáculo e utilizar somente roldanas de diâmetro adequado. Nunca deixar o cabo exposto a uma temperatura superior a 100° nem aos efeitos de agentes mecânicos ou químicos  
Armazenamento-ver capítulo 7.

## 10. MANUTENÇÃO DO APARELHO

A manutenção do aparelho consiste na sua limpeza e lubrificação, pelo que deverão proceder a uma revisão periódica (pelo menos uma vez por ano) nas nossas oficinas.

Não utilizar óleos e massas que contenham bisulfureto de molibdeno e aditivos grafitados.

Para limpar o aparelho mergulhá-lo totalmente num banho dissolvente, tal como, petróleo, gasolina, álcool puro nunca mergulhá-lo em acetona e derivados, tricloroetileno e derivados.

Após esta operação, sacudi-lo para permitir a saída de lamas e outros corpos estranhos. Dar a volta ao aparelho para que a sujidade saia através das aberturas das alavancas. Escorrer e deixar secar. Em seguida é **indispensável lubrificar abundantemente** o mecanismo, utilizando óleo (tipo SAE90, 120) nas aberturas do carter.

Antes de uma futura utilização e sem carga, desem-braiar o aparelho e accionar as alavancas de maneira a facilitar a penetração do óleo em todo o mecanismo.

N.B.: Não nos devemos preocupar por um excesso de lubrificação do aparelho. Todo o aparelho cujo carter ofereça sinais de golpes ou deformações, ou cujo gancho esteja deformado deve ser enviado para reparação a um agente autorizado TRACTEL®.

## 11. ⚠ CONTRA INDICAÇÕES

Para uma total garantia de segurança, devem utilizar-se os aparelhos de acordo com as regras contidas neste manual. De qualquer modo deve advertir-se o operador sobre as más utilizações a seguir indicadas.

**Não e permitido :**

- utilizar para elevação de pessoas os aparelhos mencionados neste manual;
- motorizá-los;
- utilizar os aparelhos para cargas superiores a sua carga nominal;

- utilizá-los para trabalhos que não sejam, os previstos;
- accionar o punho de desembraiagem com o aparelho em carga;
- obstruir o normal deslocamento da alavanca de marcha atrás ou frente ou do punho de desembraiagem;
- accionar ao mesmo tempo a alavanca de marcha a frente/atrás;
- utilizar qualquer outro meio de accionamento que não seja a alavanca telescópica de origem;
- substituir os fusíveis de segurança de origem por outros que não sejam fusíveis tiffor® de cada modelo;
- fixar o aparelho a outros meios que não seja o seu dispositivo de amarração;
- bloquear o aparelho numa posição fixa ou impedir o seu alinhamento na direcção da carga;
- utilizar o cabo do aparelho como linga;
- aplicar uma carga na extremidade do cabo que sai do lado da amarração;
- pancadas nos elementos de comando;
- accionar a alavanca de marcha a frente até que a manga de cravação do gancho toque no anel de entrada do carter;
- accionar a alavanca de marcha atrás até que a extremidade do cabo se aproxime demasiado do anel de entrada do carter.

## 12. AVARIAS

**1) Se a alavanca de marcha a frente girar livremente** sôbre o seu veio sem accionar o

mecanismo, significa que os fusíveis de segurança se degolaram por sobre-carga. Fazer a sua substituição, conforme se indica no capítulo 9.

### 2) Bombagem :

A falta de lubrificação no mecanismo origina (sem perigo) um fenómeno a que chamamos bombagem, que se verifica em marcha a frente. O cabo ou o aparelho

(depende do sistema de montagem) sobe ou baixa uns centímetros sem avançar. Lubrificando o aparelho, cessa o fenómeno. Se for necessário accionar a marcha atrás para facilitar a lubrificação das peças.

### 3) Esticões :

Em marcha atrás pode ocorrer um fenómeno de esticão também originado por falta de lubrificação. Proceder da mesma forma que no item anterior.

### 4) Bloqueio :

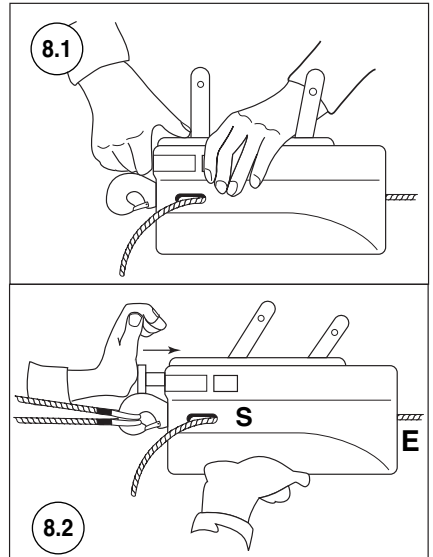
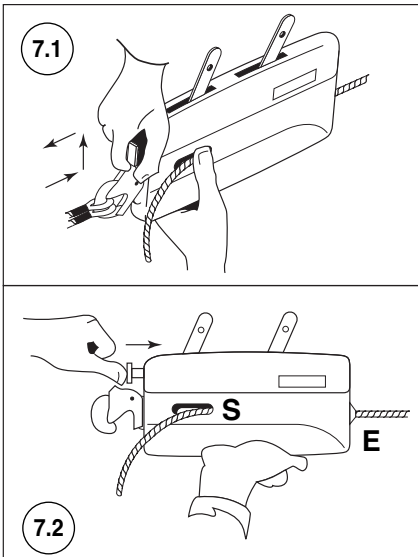
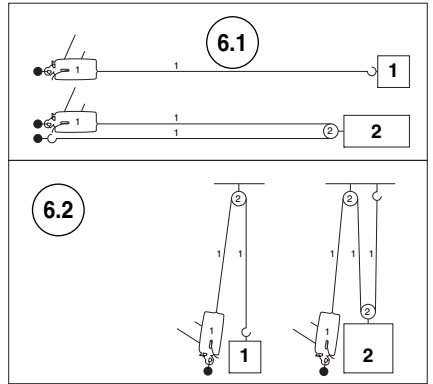
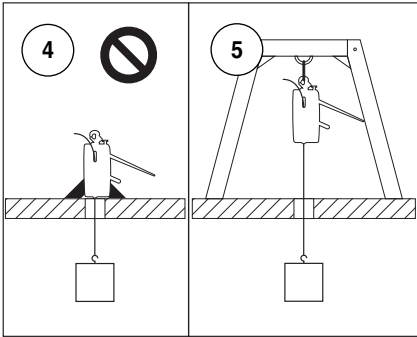
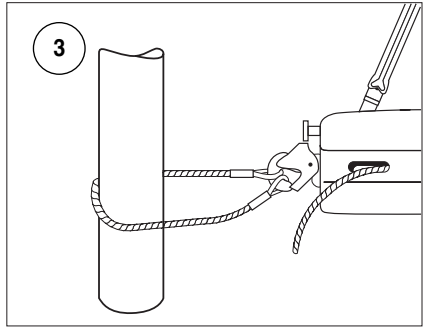
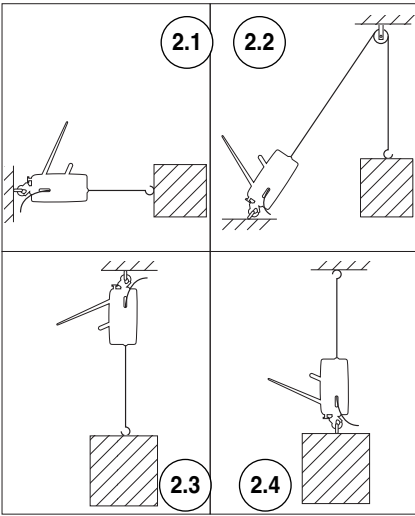
Se o cabo ficar bloqueado dentro do aparelho, por causa de um troço deteriorado no interior deste, deve se interromper de imediato o trabalho. Neste caso, atar a carga a outro mecanismo que reúna as condições regulamentares de segurança e retirar o aparelho desem-braçando-o sem carga. Em ultimo caso, quando não for possível efectuar esta operação, enviar o aparelho e o cabo para reparação, a um agente autorizado TRACTEL®.

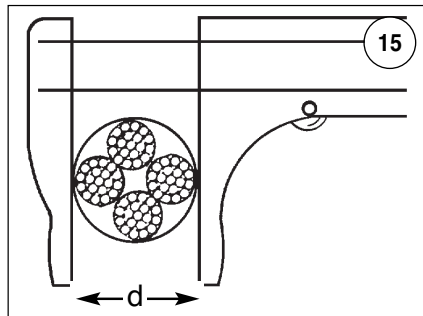
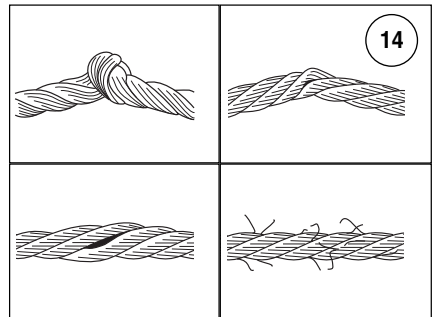
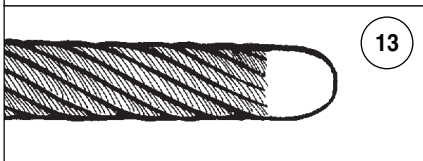
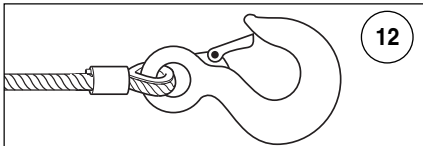
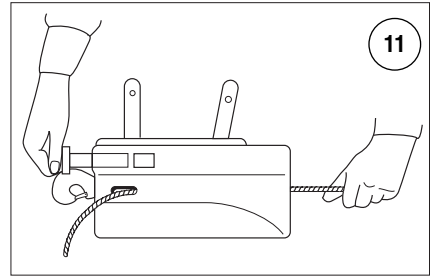
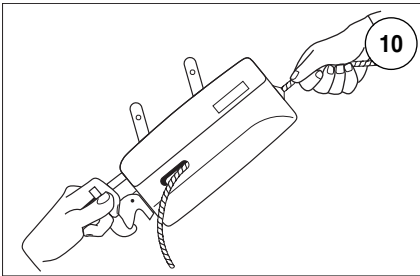
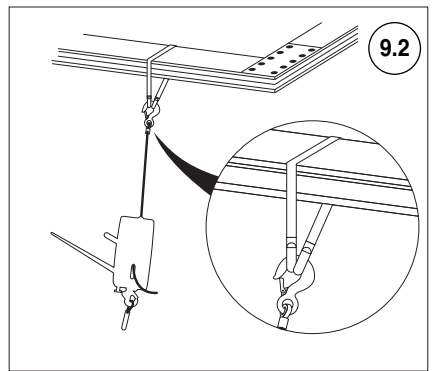
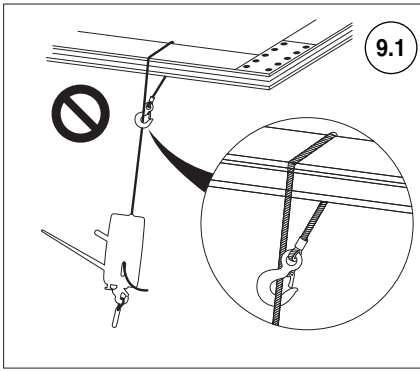
PT

## 13. VERIFICAÇÕES REGULAMENTARES

Qualquer empresa que confia um aparelho JOCKEY™ ou JOCKEY™ J5 a pessoal assalariado ou equivalente deve aplicar os regulamentos do trabalho relativos à segurança.

**Verifique se as etiquetas estão no sítio.  
As etiquetas sobresselentes serão fornecidas a pedido.**







<b>FR</b>	DECLARATION DE CONFORMITE	<b>SE</b>	FÖRSÄKRAN OM ÖVERENSSTÄMMELSE
<b>GB</b>	DECLARATION OF CONFORMITY	<b>GR</b>	ΔΗΛΩΣΗ ΣΥΜΜΟΡΦΩΣΗΣ
<b>ES</b>	DECLARACIÓN DE CONFORMIDAD	<b>PL</b>	DEKLARACJA ZGODNOŚCI
<b>IT</b>	DICHIARAZIONE DI CONFORMITÀ	<b>RU</b>	СЕРТИФИКАТ СООТВЕТСТВИЯ
<b>DE</b>	KONFORMITÄTSEKTLÄRUNG	<b>HU</b>	MEGFELELŐSÉGI NYILATKOZAT
<b>NL</b>	CONFORMITEITSVERKLARING	<b>CZ</b>	PROHLÁ-ENÍ O SHODĚ
<b>PT</b>	DECLARAÇÃO DE CONFORMIDADE	<b>BG</b>	ДЕКЛАРАЦИЯ ЗА СЪОТВЕТСТВИЕ
<b>DK</b>	OVERENSSTEMMELSESEKTLÆRING	<b>RO</b>	DECLARATIE DE CONFORMITATE
<b>FI</b>	VASTAAVUUSVAKUUTUS	<b>SK</b>	VYHLÁSENIE O ZHODE
<b>NO</b>	SAMSVARERKLÆRING	<b>SI</b>	IZJAVA O USTREZNOSTI



## TRACTEL S.A.S.

RD 619, Saint-Hilaire-sous-Romilly,  
F-10102 ROMILLY-SUR-SEINE

T : 33 3 25 21 07 00 - Fax : 33 3 25 21 07 11



représentée par / represented by / representado por / rappresentato da / vertreten durch / vertegenwoordigd door / representada por / repræsenteret af / edustajana / representert ved / företräds av / εκπροσωπούμενη από / reprezentowany przez / в лице / képviselő / zastoupená / представител / reprezentat de catre / zastúpená / ki ga predstavlja

## M. Denis PRADON

Président Directeur Général / Chairman & Managing Director / Presidente Director General / Presidente Direttore Generale / Generaldirektor-Präsident des Verwaltungsrates / President-Directeur / Presidente / Administrerende direktør / Toimitusjohtaja / President og Generaldirektør / Vd och styrelseordförande / Πρόεδρος Γενικός Διευθυντής / Prezes / Президент и Генеральный Директор / Elnök-vezérigazgató / Generálny ředitel / Генерален директор / Presedinte Director General / Generálny riaditeľ / Predsednik generalni direktor

30/09/2009





<b>F R</b>	<b>CERTIFIE QUE</b> : L'équipement désigné ci-contre est conforme aux règles techniques de sécurité qui lui sont applicables à la date de mise sur le marché de l'UNION EUROPÉENNE par le fabricant. <b>DISPOSITIONS APPLIQUÉES</b> : Voir ci-dessous	<b>S E</b>	<b>INTYGAR ATT</b> : utrustningen som avses på motstående sida överensstämmer med de tekniska säkerhetsregler som är tillämpliga när produkten släpps på Europeiska unionens marknad. <b>GÄLLANDE BESTÄMMELSER</b> : Se ovan
<b>G B</b>	<b>CERTIFIES THAT</b> : The equipment designated opposite is compliant with the technical safety rules applicable on the initial date of marketing in the EUROPEAN UNION by the manufacturer. <b>MEASURES APPLIED</b> : See below	<b>G R</b>	<b>ΒΕΒΑΙΩΝΕΙ ΤΙ</b> : ε π λ ι ο ς π υ α ν α φ ρ ε τ α ι ὃ π λ α ε ν α ι σ φ ω ν ς ρ ς τ υ ς τ ε ν ι κ ς κ α ν ν ε ς α σ φ α λ ε α ς π υ ι σ τ υ ν κ α τ τ η ν η ε ρ η ν α ὀ δ ι θ ε ο ς τ υ σ τ η ν α ρ ρ η ς ΕΥΡΩΠΑΪΚΗΣ ΕΝΩΣΗΣ απ τ ν κατασκευαστ . <b>ΙΣ Υ ΞΕΣ ΙΑΤΑ ΕΙΣ</b> : Βλ τε παρακ τω
<b>E S</b>	<b>CERTIFICA QUE</b> : El equipo designado al lado es conforme con las reglas técnicas de seguridad que le son aplicables en la fecha de comercialización de la UNIÓN EUROPEA por el fabricante. <b>DISPOSICIONES APLICADAS</b> : Ver abajo	<b>P L</b>	<b>ZASWIADCZA, ŻE</b> : Sprzęt określony na odwołanie odpowiada technicznym reguł om bezpieczeństwa stosującym się do niego w dniu wprowadzenia przez producenta na rynek UNII EUROPEJSKIEJ. <b>STOSOWANE PRZEPISY</b> : Patrz niżej
<b>I T</b>	<b>CERTIFICA CHE</b> : L'equipaggiamento designato a fianco è conforme alle regole tecniche di sicurezza ad esso applicabili alla data di messa, dal costruttore, sul mercato dell'UNIONE EUROPEA. <b>DISPOSIZIONI APPLICABILI</b> : Vedi soprastante	<b>R U</b>	<b>УДОСТОВЕРЯЕТ СЛЕДУЮЩЕЕ</b> : Названное оборудование соответствует применимым к нему техническим правилам безопасности, действующим на момент его выпуска производителем на рынок ЕВРОПЕЙСКОГО СОЮЗА. <b>ПРИМЕНИМЫЕ ПОЛОЖЕНИЯ</b> : См. ниже
<b>D E</b>	<b>ERKLÄRT, DASS</b> : Die gegenüber bezeichnete Ausrüstung den technischen Sicherheitsbestimmungen entspricht, die zum Zeitpunkt des Inverkehrbringens in der EUROPÄISCHEN UNION durch den Hersteller für die Ausrüstung gelten. <b>ANGEWENDETE VORSCHRIFTEN</b> : Siehe unten	<b>H U</b>	<b>TANÚSÍJTJA, HOGY</b> : a szemközt megnevezett felszerelés megfelel a gyártó által az EURÓPAI UNIÓN belül forgalmazás megkezdésének idő pontjában érvényben lévő vonatkozó műszaki biztonsági szabályoknak. <b>ALKALMAZOTT RENDELKEZÉSEK</b> : Lásd alább
<b>N L</b>	<b>VERKLAART DAT</b> : De in hieronder beschreven uitrusting conform de technische veiligheidsvoorschriften is die van toepassing zijn op de datum van de marktintrodctie in de EUROPESE UNIE door de fabrikant. <b>TOEGEPASTE SCHIKKINGEN</b> : Zie hieronder	<b>C Z</b>	<b>POTVRZUJE, ŽE</b> : Niže uvedené zařizení je v souladu s technickými pravidly bezpečnosti platnými ke dni jeho uvedení výrobcem na trh EVROPSKÉ UNIE. <b>PLATNÁ USTANOVENÍ</b> : VViz níže
<b>P T</b>	<b>CERTIFICA QUE</b> : O equipamento designado ao lado satisfaz as regras técnicas de segurança aplicáveis na data da introdução no mercado da UNIÃO EUROPEIA pelo fabricante. <b>DISPOSIÇÕES APLICADAS</b> : Ver abaixo	<b>B G</b>	<b>УДОСОТВЕРЯВА, ЧЕ</b> : Описаното настреща съоръжение съответства на приложимите за него технически правила за безопасност към датата на пускането му на пазара на ЕВРОПЕЙСКИЯ СЪЮЗ от производителя. <b>ПРИЛОЖИМИ РАЗПОРЕДБИ</b> : Виж по-долу
<b>D K</b>	<b>ERKLÆRER AT</b> : Udstyret betegnet på modstående side er i overensstemmelse med de gældende tekniske sikkerhedsforskrifter på den dato, hvor fabrikanten har markedsført det i den EUROPÆISKE UNION. <b>GÆLDENDE BESTEMMELSER</b> : Se nedenfor	<b>R O</b>	<b>CERTIFICĂ FAPTUL CĂ</b> : Echipamentul menționat alături este conform normelor tehnice de securitate aplicabile la data lansării pe piața UNIUNII EUROPENE de către producător. <b>DISPOZIȚII APLICATE</b> : A se vedea mai jos
<b>F I</b>	<b>VAKUUTTAA, ETTÄ</b> : laite, johon tässä asiakirjassa viitataan täyttää tekniset turvamääräykset sinä päivänä, jona valmistaja tuo tuotteen myyntiin Euroopan unionin markkinoille. <b>SOVELLETTAVAT MÄÄRÄYKSET</b> : Katso alta	<b>S K</b>	<b>POTVRDZUJE, ŽE</b> : Niž je uvedené zariadenie je v súlade s technickými pravidlami bezpečnosti platnými ku dň u jeho uvedenia výrobcem na trh EURÓPSKEJ UNIE. <b>PLATNÉ USTANOVENIA</b> : Pozrite niž je
<b>N O</b>	<b>SERTIFISERER AT</b> : Det udstyret som omtales på motsatt side er i overensstemmelse med de tekniske sikkerhetsregler som gjelder på det tidspunktet som fabrikanten setter udstyret i drift på markedet i DEN EUROPEISKE UNION. <b>GJELDENDE NORMER</b> : Se under	<b>S I</b>	<b>POTRJUJE, DA</b> : je opisana oprema skladna s tehničnimi pravili na področju varnosti, ki veljajo zanjo z dnem, ko jo proizvajalec pošlje na tržišče EVROPSKE UNIJE. <b>VELJAVNA DOLOČILA</b> : glej spodaj



→ 2009 : 98/37/CE

2006/95/CE

2004/108/CE

2000/14/CE

2010 → : 2006/42/CE

DÉSIGNATION / DESIGNATION / DESIGNACIÓN / DESIGNAZIONE /  
BEZEICHNUNG / BESCHRIJVING / DESIGNAÇÃO / BETEGNELSE / NIMI-  
TYS / BENEVNELSE / BETECKNING / ΟΝΟΜΑΣΙΑ / NAZWA / НАИМЕНОВАНИЕ  
/ MEGNEVEZÉS / NÁZEV / НАИМЕНОВАНИЕ / DENUMIRE / NÁZOV / OPIS

Treuil à mâchoires à câble / Winch with cable grip-jaw / Cabrestante con mor-  
dazas de cable / Argano a ganasce a cavo / Mehrzweckseilzug / Takel met  
kabelopspanner / Guincho de maxilas de cabo / Hejsespil med kæber til kabel  
/ Vintturi, kaapelileuat / Kabelvinsj med kjeffer / Vinsch med linlås / **Βαρούλκο  
συρματόσχοινου με δαγκάνες** / Wciagarka linowa ze szczękami / Подъемник с  
зажимами для троса / Sodronyköteles vonszoló / Navijak s čelustami a lanom /  
Лебедка със спирачна челюст за въже / Troliu cu falci cu cablu / Navijak s äe°usËa-  
mi a lanom / Kabelsko vreteno s čeljustmi

APPLICATION / APPLICATION / APLICACIÓN / APPLICAZIONE / ANWENDUNG / TOE-  
PASSING / APLICAÇÃO / ANVENDELSE / KÄYTTÖ / BRUKSOMRÅDE / ANVÄNDNING  
/ ΕΦΑΡΜΟΓΗ / ZASTOSOWANIE / ПРИМЕНЕНИЕ / ALKALMAZÁSI TERÜLET / APLIKA-  
CE / ПРИЛОЖЕНИЕ / DOMENIU DE APLICARE / APLIKÁCIA / UPORABA

Traction et levage de matériel / Equipment traction and hoisting / Tracción y ele-  
vación de material / Trazione e sollevamento di materiale / Ziehen und Heben  
von Material / Tractie en hijsen van materiaal / Tracção e elevação de material  
/ Trækning og ophejsning af materiel / Materiaalin veto ja nosto / Trekking og  
heving av materiell / Drag och lyft av materiel / **Έλξη και ανύψωση υλικών** /  
Transport i podnoszenie sprzętu / Тяга и подъем материалов / Anyagok vontatása  
és emelése / Ťahanie a zdvíhanie materiálu / Теглене и повдигане на товари /  
Tractare si ridicare de material / Ěahanie a zdvíhanie materiálu / Vleka in dvi-  
ganje materiala

MARQUE / MAKE / MARCA / MARCA / MARKE / MERK / MARCA / MÆRKE / MERKKI  
/ MERKE / MÄRKE / ΕΜΠΟΡΙΚΟ ΣΗΜΑ/MARKA / ΦΙΡΜΑ / MÁRKA / ZNAČKA / МАРКА /  
MARCA / ZNAČKA / ZNAMKA

**tirfor® / jockey™**

TYPE / TYPE / TIPO / TIPO / TYP / TYPE / TIPO / TYPE / ΤΥΠΠΙ / TYPE /  
ΤΥΡ / ΤΥΠΟΣ / ΤΥΡ / ΤΙΠ / TÍPUS / ΤΥΡ / ΤΙΠ / ΤΙΡ / ΤΥΡ / ΤΙΡ

J 3

J 5

T508D

T516D

T532D

TU 8

TU 16

TU 32

N° DE SÉRIE / SERIAL NO / N° DE SÉRIE / Nr. DI SERIE  
/ SERIEN-NR / SERIENUMMER / N° DE SÉRIE / SERIE-  
NUMMER / SARJANUMERO / SERIENUMMER /  
SERIENR / ΣΕΙΡΙΑΚΟΣ ΑΡΙΘΜΟΣ / Nr SERII / N° СЕРИИ  
/ SZÉRIASZÁM / VÝROBNÍ ČÍSLO / СЕРИЕН N°/ NR. DE  
SERIE / VÝROBNÉ ČÍSLO / SERIJSKA ·T.



**FR TRACTEL S.A.S.**

RD 619 Saint-Hilaire-sous-Romilly, B.P. 38  
F-10102 ROMILLY-SUR-SEINE  
T : 33 3 25 21 07 00 – Fax : 33 3 25 21 07 11

**LU SECALT S.A.**

3, Rue du Fort Dumoulin – B.P. 1113  
L-1011 LUXEMBOURG  
T : 352 43 42 42 1 – Fax : 352 43 42 42 200

**DE GREIFZUG GmbH**

Scheidtbachstrasse 19-21  
D-51434 BERGISCH-GLADBACH  
T : 49 2202 10 04 0 – Fax : 49 2202 10 04 70

**GB TRACTEL UK LTD**

Old Lane, Halfway  
SHEFFIELD S20 3GA  
T : 44 114 248 22 66 – Fax : 44 114 247 33 50

**ES TRACTEL IBÉRICA S.A.**

Carretera del medio 265  
E-08907 L'HOSPITALET (Barcelona)  
T : 34 93 335 11 00 – Fax : 34 93 336 39 16

**IT TRACTEL ITALIANA S.p.A.**

Viale Europa 50  
I-20093 Cologno Monzese (MI)  
T : 39 02 254 47 86 – Fax : 39 02 254 71 39

**NL DK TRACTEL BENELUX B.V.**

**BE LU** Paardeweide 38  
NL-4824 EH BREDA  
T : 31 76 54 35 135 – Fax : 31 76 54 35 136

**PT LUSOTRACTEL LDA**

Alto Do Outeiro Armazém 1 Trajouce  
P-2785-086 S. DOMINGOS DE RANA  
T : 351 214 459 800 – Fax : 351 214 459.809

**PL TRACTEL POLSKA Sp. Zo.o**

Al. Jerozolimskie 56c  
PL-00-803 Warszawa  
T : +48/60 902 06 07 - Fax : +48/22 300 15 59

**CA TRACTEL LTD**

1615 Warden Avenue Scarborough  
Ontario M1R 2TR  
T : 1 416 298 88 22 – Fax : 1 416 298 10 53

**CN TRACTEL CHINA LTD**

A09, 399 Cai Lun Lu, Zhangjiang HI-TECH Park  
Shanghai 201203 – CHINA  
T : +86 (0) 21 6322 5570 - Fax: +86 (0) 21 5353 0982

**SG TRACTEL SINGAPORE Pte**

50 Woodlands Industrial Parc E7  
Singapore 75 78 24  
T : 65 675 73113 – Fax : 65 675 73003

**AE TRACTEL MIDDLE EAST**

P.O. Box 25768  
DUBAI  
T : 971 4 34 30 703 – Fax : 971 4 34 30 712

**US TRACTEL Inc**

51 Morgan Drive.  
Norwood, MA 02062  
T : 1 781 401 3288 – Fax : 1 781 828 3642

**RU TRACTEL RUSSIA O.O.O.**

ul. Petrovka, 27  
Moscow 107031  
Russia  
T : +7 915 00 222 45 – Fax : +7 495 589 3932